

B

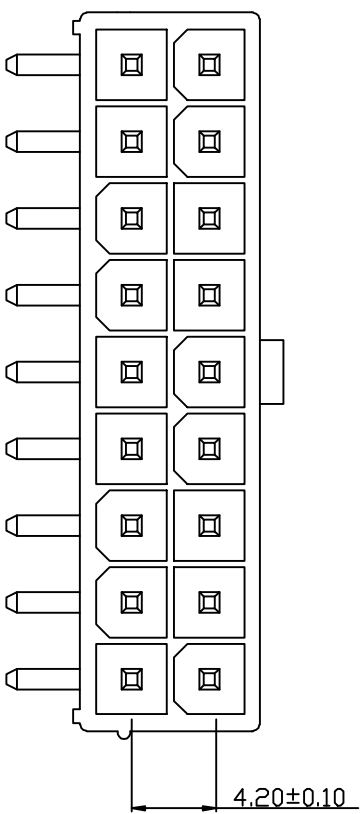
C

E

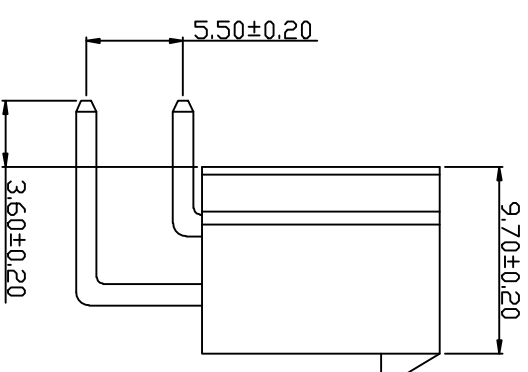
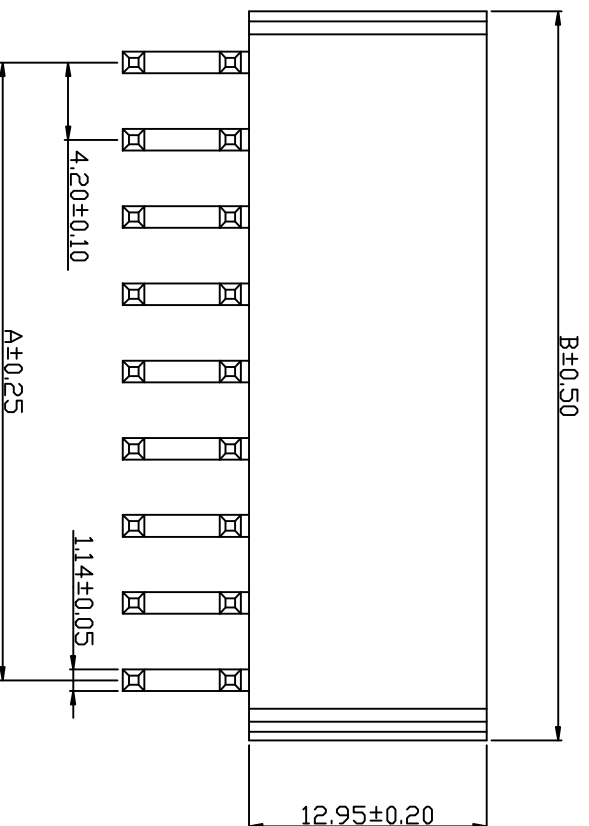
公差表

REV	ECN NO	LOCATIONS	DESCRIPTION	DATE	CHANGER
A			新版本	2016-06-03	李国常

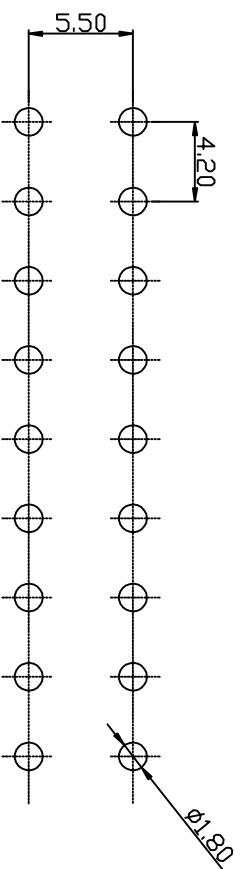
4



4



Part No	Dimensions (mm)	
	A	B
W4202R-2*01	—	5.60
W4202R-2*02	4.20	9.80
W4202R-2*03	8.40	14.00
W4202R-2*04	12.60	18.20
W4202R-2*05	16.80	22.40
W4202R-2*06	21.00	26.60
W4202R-2*07	25.20	30.80
W4202R-2*08	29.40	35.00
W4202R-2*09	33.60	39.20
W4202R-2*10	37.80	43.40
W4202R-2*11	42.00	47.60
W4202R-2*12	46.20	51.80



P.C.B LAYOUT

B

C

D

E

F

KLT 深圳市康利通电子科技有限公司

成品规格图

TOLERANCE

0±0.30

.0±0.25

.00±0.20

.000±0.015

1

TITLE	成品规格图		TOLERANCE	
CHECKED BY	DATE	SCALE	VER No	SIZE
DRAWN BY	UNIT:mm	1:1	A	A4
李国常	2016-06-03			
PART No	W4202R-2*NP			