

B

C

E

公差表

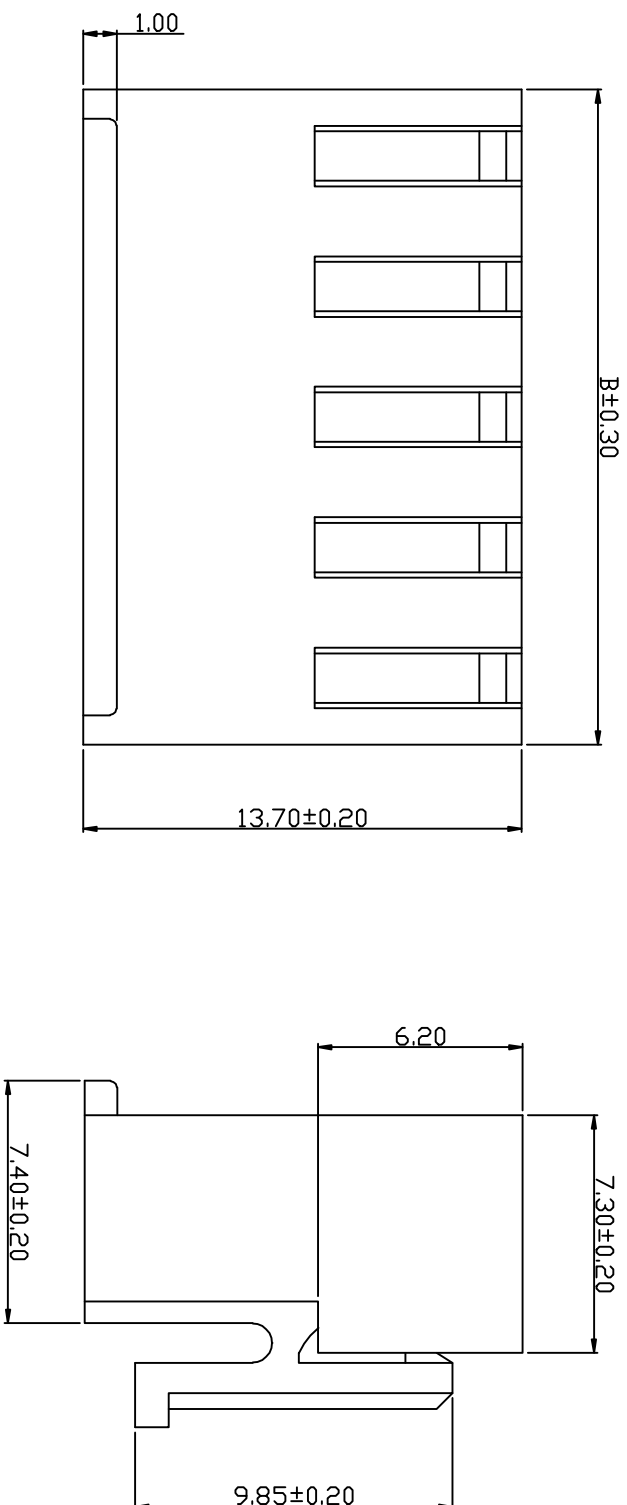
REV	ECN NO	LOCATIONS	DESCRIPTION	DATE	CHANGER
A			新版本	2016-06-01	李国常

SPECIFICATIONS

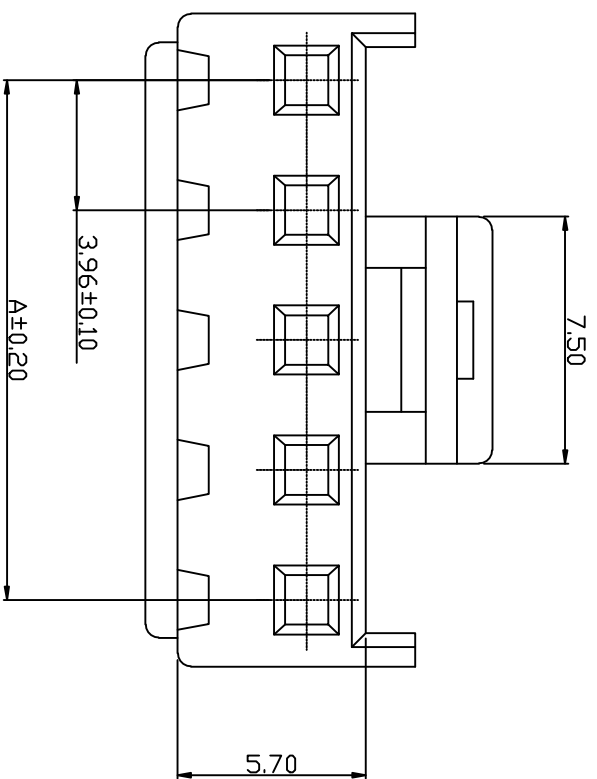
- Voltage rating: 250V AC, DC
- Current rating: 7A, AC, DC
- Withstanding Voltage: 1500V AC/minute
- Insulation resistance: 1000MΩ min
- Temperature range: -40°C~+105°C
- Contact resistance: 10MΩ max

HOUSING

- Part No: H3961-NP
- Poles: 02-16
- Material: Nylon 66 UL94V-0



Part No	Dimensions (mm)	
	A	B
H3961-02	3.96	7.86
H3961-03	7.92	11.82
H3961-04	11.88	15.78
H3961-05	15.84	19.74
H3961-06	19.80	23.70
H3961-07	23.76	27.66
H3961-08	27.72	31.62
H3961-09	31.68	35.58
H3961-10	35.64	39.54
H3961-11	39.60	43.50
H3961-12	43.56	47.46
H3961-13	47.52	51.42
H3961-14	51.48	55.38
H3961-15	55.44	59.34
H3961-16	59.40	63.30



KLT 深圳市康利通电子科技有限公司

成品规格图

Tolerance

- 0±0.30
- .0±0.25
- .00±0.20
- .000±0.015

TITLE	成品规格图		Tolerance	
CHECKED BY	DATE	SCALE	VER No	SIZE
	2016-06-01	1:1	A	A4
DRAWN BY	UNIT:mm			
李国常				
PART No	H3961-NP			

4

4

B

C

D

E

F

1

B

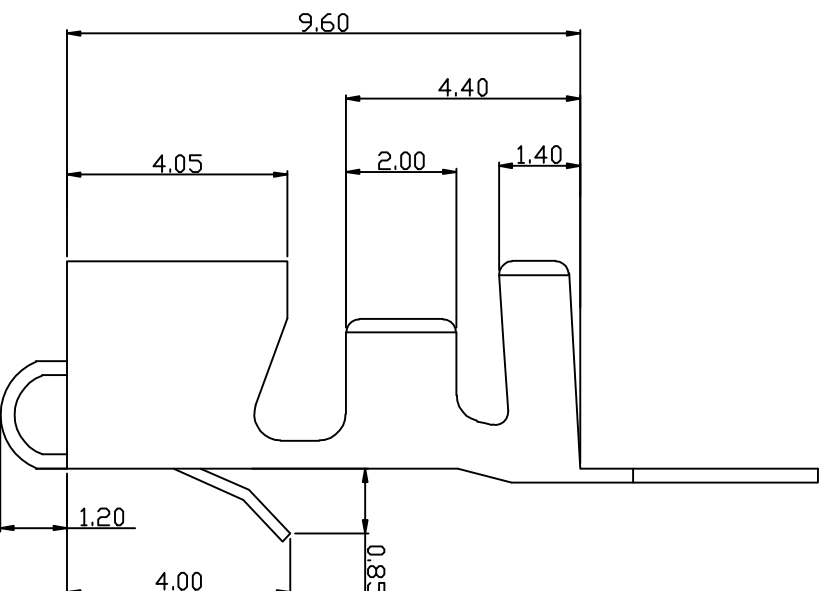
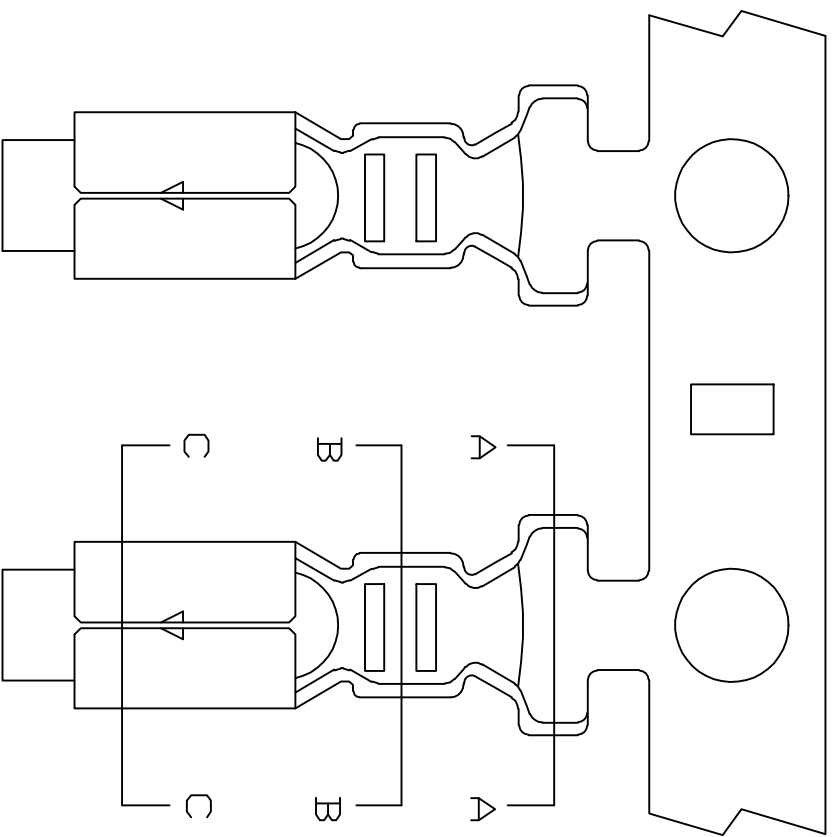
C

E

公差表

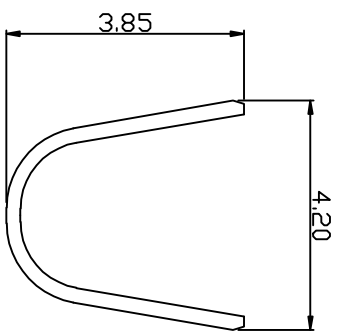
REV	ECN NO	LOCATIONS	DESCRIPTION	DATE	CHANGER
A			新版本	2016-06-01	李国常

4

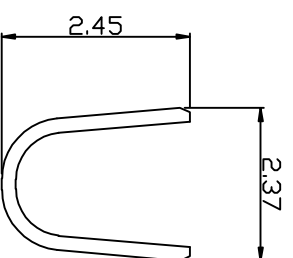


- SPECIFICATIONS**
- Voltage rating: 250V AC, DC
 - Current rating: 7A, AC, DC
 - Withstanding Voltage: 1500V AC/minute
 - Insulation resistance: 1000MΩ min
 - Temperature range: -40℃~+85℃
 - Contact resistance: 10MΩ max
- TERMINAL**
- Part No: T3961PT
 - Applicable wire: AWG#18-#22
 - Material: Phosphor Bronze
 - Finish: Tin plated

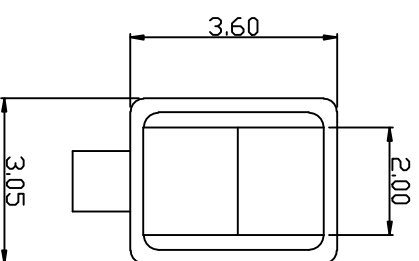
4



SEC: A-A



SEC: B-B



SEC: C-C

KLT 深圳市康利通电子科技有限公司

成品规格图

Tolerance

0±0.30

.0±0.25

.00±0.20

.000±0.015

1

TITLE	DATE	SCALE	VER No	SIZE
CHECKED BY	2016-06-01	1:1		
DRAWN BY	UNIT:mm		A	A4
李国常	PART No	T3961PT		

B

C

D

E

F

B

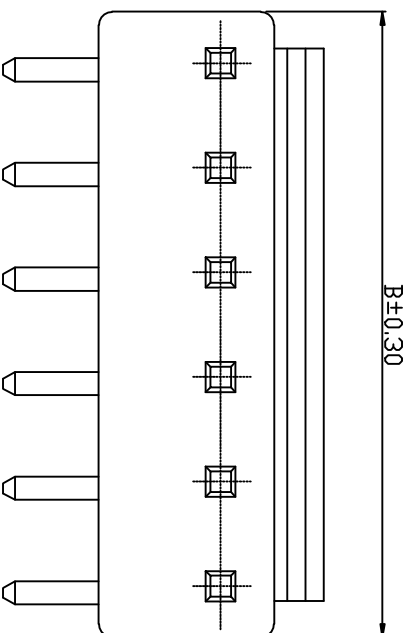
C

E

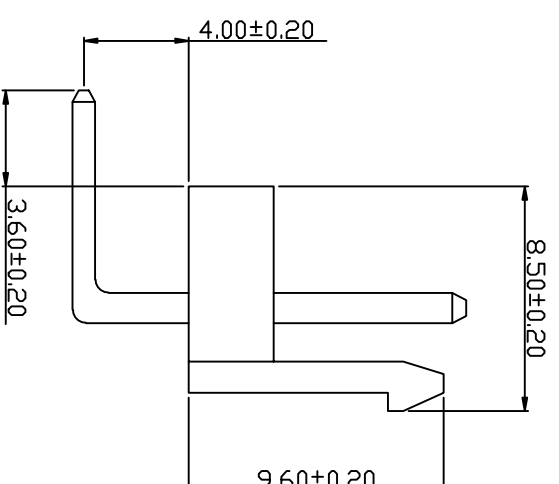
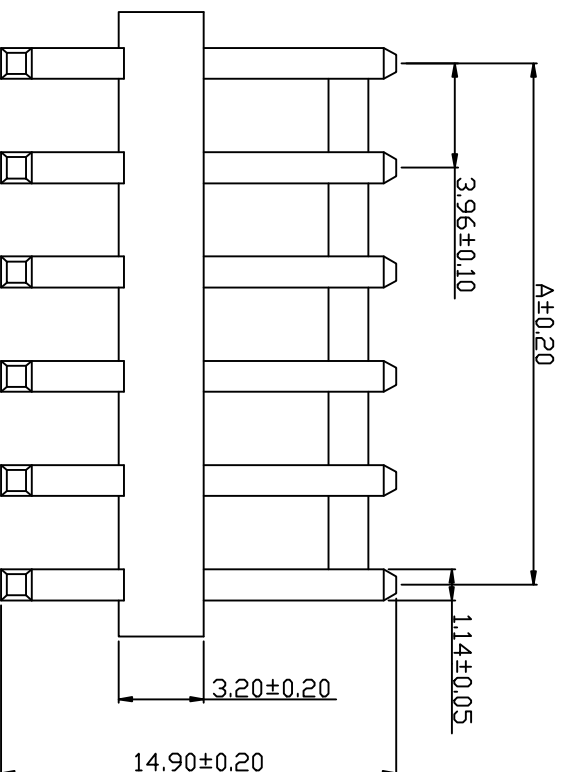
公差表

REV	ECN NO	LOCATIONS	DESCRIPTION	DATE	CHANGER
A			新版本	2016-06-01	李国常

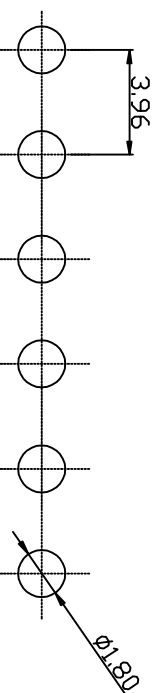
4



4



Part No	Dimensions (mm)	
	A	B
W3961R-02	3.96	7.92
W3961R-03	7.92	11.88
W3961R-04	11.88	15.84
W3961R-05	15.84	19.80
W3961R-06	19.80	23.76
W3961R-07	23.76	27.72
W3961R-08	27.72	31.68
W3961R-09	31.68	35.64
W3961R-10	35.64	39.60
W3961R-11	39.60	43.56
W3961R-12	43.56	47.52
W3961R-13	47.52	51.48
W3961R-14	51.48	55.44
W3961R-15	55.44	59.40
W3961R-16	59.40	63.36



P.C.B LAYOUT

KLT 深圳市康利通电子科技有限公司

TOLERANCE

0±0.30

.0±0.25

.00±0.20

.000±0.015

1

TITLE	成品规格图			
CHECKED BY	DATE	SCALE	VER No	SIZE
	2016-06-01	1:1	A	A4
DRAWN BY	UNIT:mm			
李国常				
PART No	W3961R-NP			

B

C

D

E

F

B

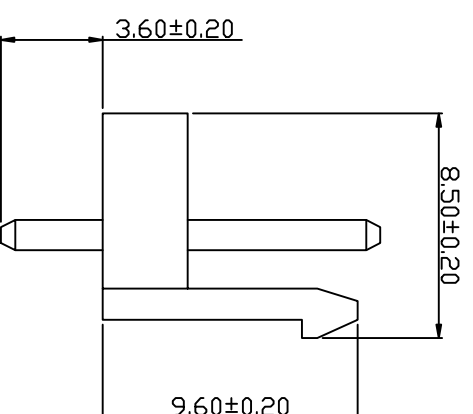
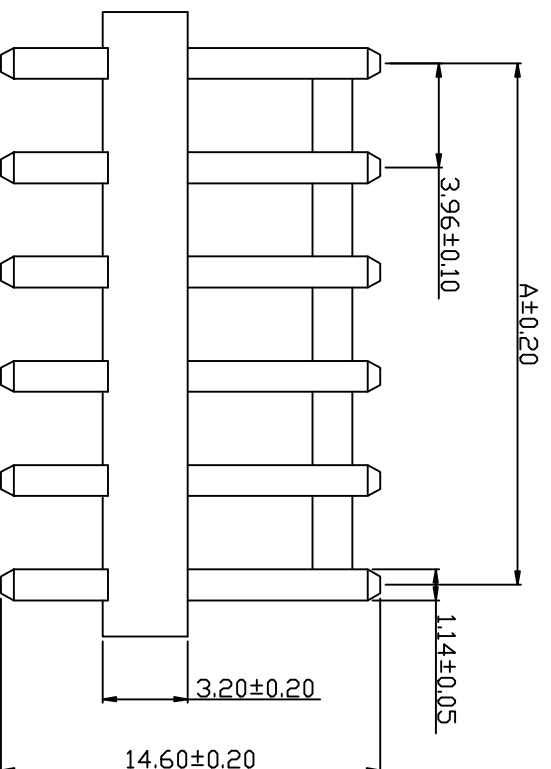
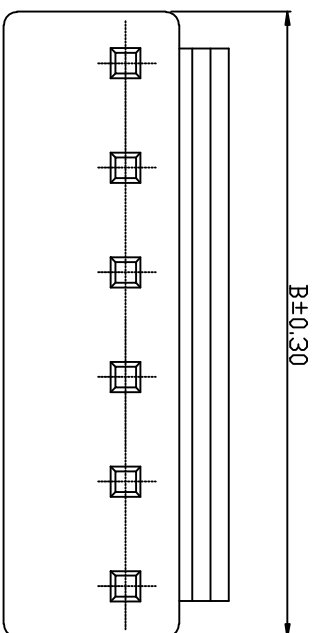
C

E

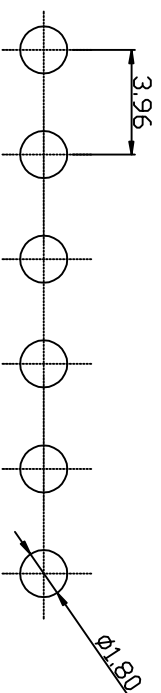
公差表

REV	ECN NO	LOCATIONS	DESCRIPTION	DATE	CHANGER
A			新版本	2016-06-01	李国常

4



Part No	Dimensions (mm)	
	A	B
W3961V-02	3.96	7.92
W3961V-03	7.92	11.88
W3961V-04	11.88	15.84
W3961V-05	15.84	19.80
W3961V-06	19.80	23.76
W3961V-07	23.76	27.72
W3961V-08	27.72	31.68
W3961V-09	31.68	35.64
W3961V-10	35.64	39.60
W3961V-11	39.60	43.56
W3961V-12	43.56	47.52
W3961V-13	47.52	51.48
W3961V-14	51.48	55.44
W3961V-15	55.44	59.40
W3961V-16	59.40	63.36



P.C.B LAYOUT

KLT 深圳市康利通电子科技有限公司

成品规格图

TOLERANCE

0±0.30

.0±0.25

.00±0.20

.000±0.015

1

TITLE	成品规格图		TOLERANCE	
CHECKED BY	DATE	SCALE	VER No	SIZE
	2016-06-01	1:1	A	A4
DRAWN BY	UNIT:mm			
李国常				
PART No	W3961V-NP			

B

C

D

E

F

4