

B

C

E

公差表

REV	ECN NO	LOCATIONS	DESCRIPTION	DATE	CHANGER
A			新版本	2016-05-26	李国常

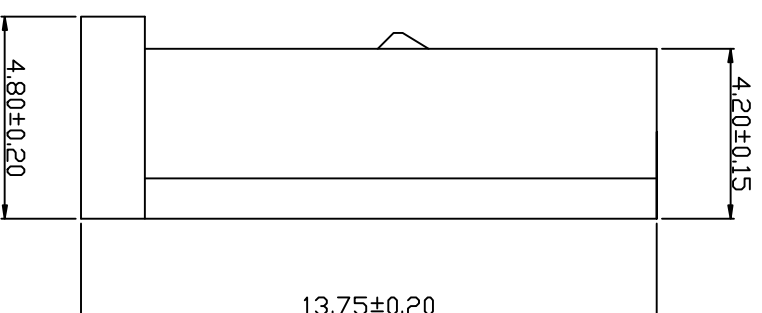
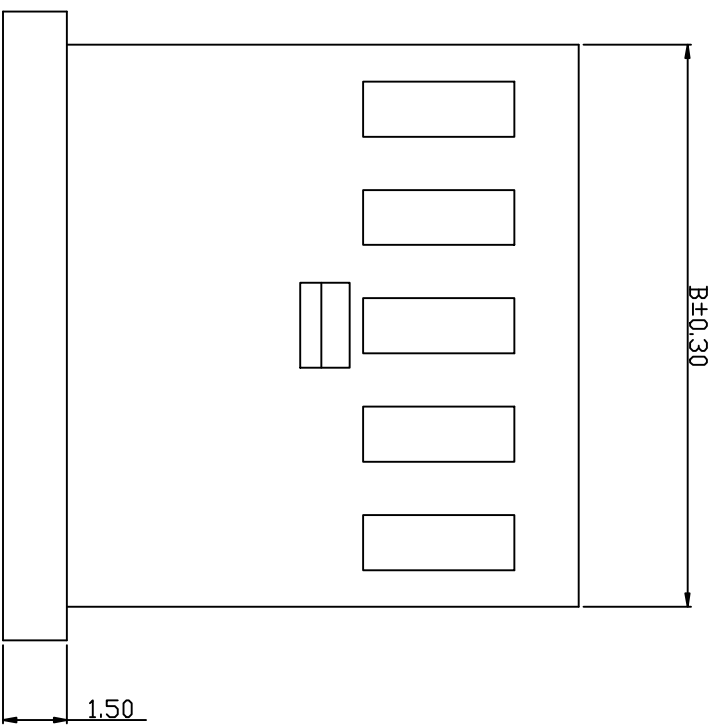
■ SPECIFICATIONS

- Voltage rating: 250V AC, DC
- Current rating: 3A, AC, DC
- Withstanding Voltage: 1000V AC/minute
- Insulation resistance: 1000MΩ min
- Temperature range: -40℃~+85℃
- Contact resistance: 20MΩ max

■ HOUSING

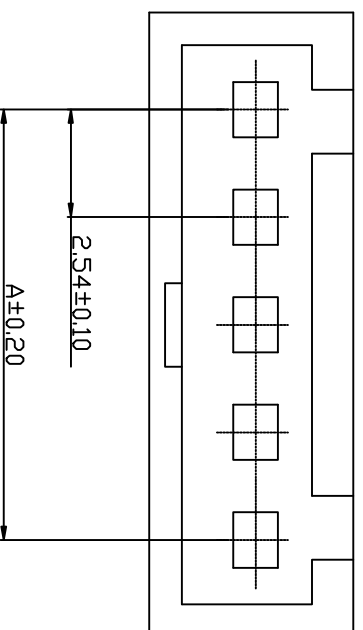
- Part No: H2543-NP
- Poles: 02-22
- Material: PBT UL94V-0

4



Part No	Dimensions (mm)	
	A	B
H2543-02	2.54	5.60
H2543-03	5.08	8.14
H2543-04	7.62	10.68
H2543-05	10.16	13.22
H2543-06	12.70	15.76
H2543-07	15.24	18.30
H2543-08	17.78	20.84
H2543-09	20.32	23.38
H2543-10	22.86	25.92
H2543-11	25.40	28.46
H2543-12	27.94	31.00

Part No	Dimensions (mm)	
	A	B
H2543-13	30.48	33.54
H2543-14	33.02	36.08
H2543-15	35.56	38.62
H2543-16	38.10	41.16
H2543-17	40.64	43.70
H2543-18	43.18	46.24
H2543-19	45.72	48.78
H2543-20	48.26	51.32
H2543-21	50.80	53.86
H2543-22	53.34	56.40



**KLT** 深圳市康利通电子科技有限公司

成品规格图

Tolerance

0±0.30

.0±0.25

.00±0.20

.000±0.015

1

4

TITLE	DATE		SCALE	VER No	SIZE
CHECKED BY	2016-05-26		1:1		
DRAWN BY	UNIT:mm			A	A4
PART No	H2543-NP				

李国常

PART No

H2543-NP

B

C

D

E

F

B

C

E

公差表

REV	ECN NO	LOCATIONS	DESCRIPTION	DATE	CHANGER
A			新版本	2016-05-26	李国常

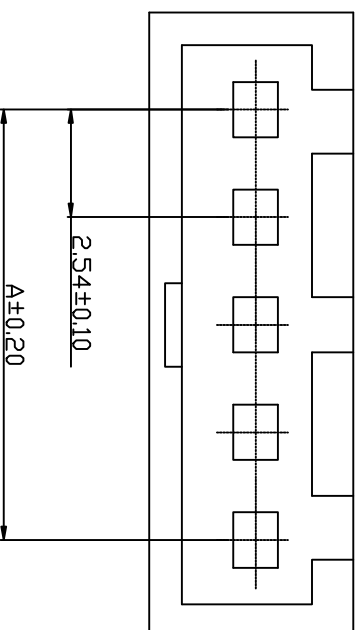
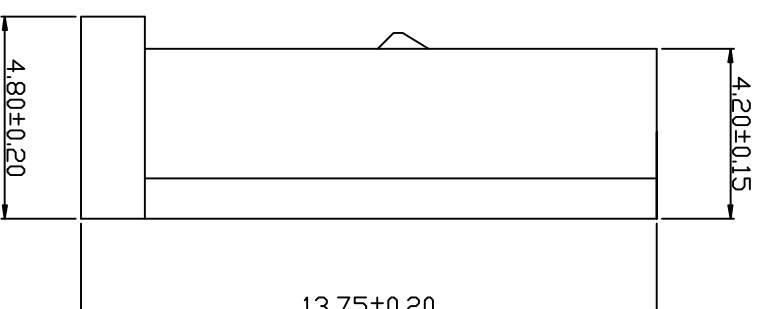
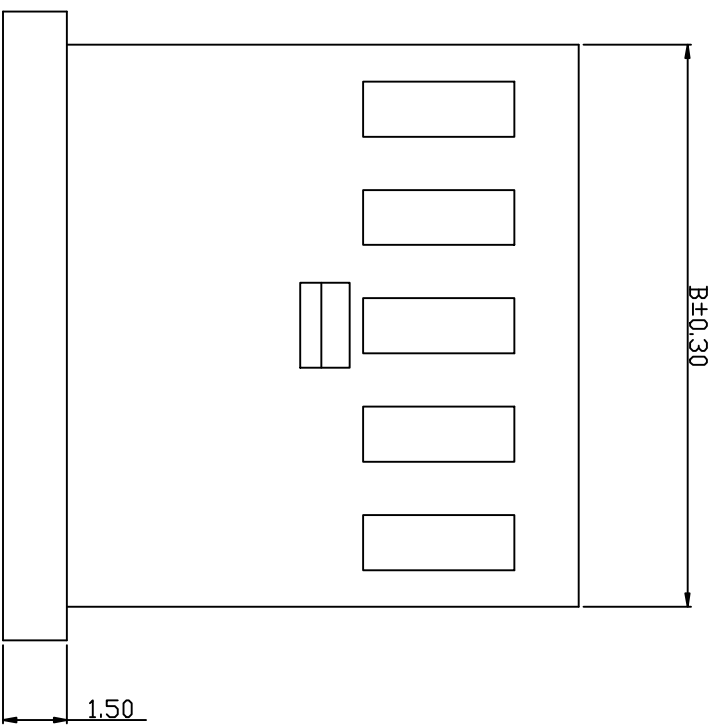
■ SPECIFICATIONS

- Voltage rating: 250V AC, DC
- Current rating: 3A, AC, DC
- Withstanding Voltage: 1000V AC/minute
- Insulation resistance: 1000MΩ min
- Temperature range: -40℃~+85℃
- Contact resistance: 20MΩ max

■ HOUSING

- Part No: H2543B3-NP
- Poles: 02-22
- Material: PBT UL94V-0

4



Part No	Dimensions (mm)	
	A	B
H2543B3-02	2.54	5.60
H2543B3-03	5.08	8.14
H2543B3-04	7.62	10.68
H2543B3-05	10.16	13.22
H2543B3-06	12.70	15.76
H2543B3-07	15.24	18.30
H2543B3-08	17.78	20.84
H2543B3-09	20.32	23.38
H2543B3-10	22.86	25.92
H2543B3-11	25.40	28.46
H2543B3-12	27.94	31.00

Part No	Dimensions (mm)	
	A	B
H2543B3-13	30.48	33.54
H2543B3-14	33.02	36.08
H2543B3-15	35.56	38.62
H2543B3-16	38.10	41.16
H2543B3-17	40.64	43.70
H2543B3-18	43.18	46.24
H2543B3-19	45.72	48.78
H2543B3-20	48.26	51.32
H2543B3-21	50.80	53.86
H2543B3-22	53.34	56.40

**KLT** 深圳市康利通电子科技有限公司

成品规格图

Tolerance

0±0.30

.0±0.25

.00±0.20

.000±0.015

TITLE	成品规格图		Tolerance	
CHECKED BY	DATE	SCALE	VER No	SIZE
	2016-05-26	1:1	A	A4
DRAWN BY	UNIT:mm			
李国常	PART No	H2543B3-NP		

B

C

D

E

F

1

4

B

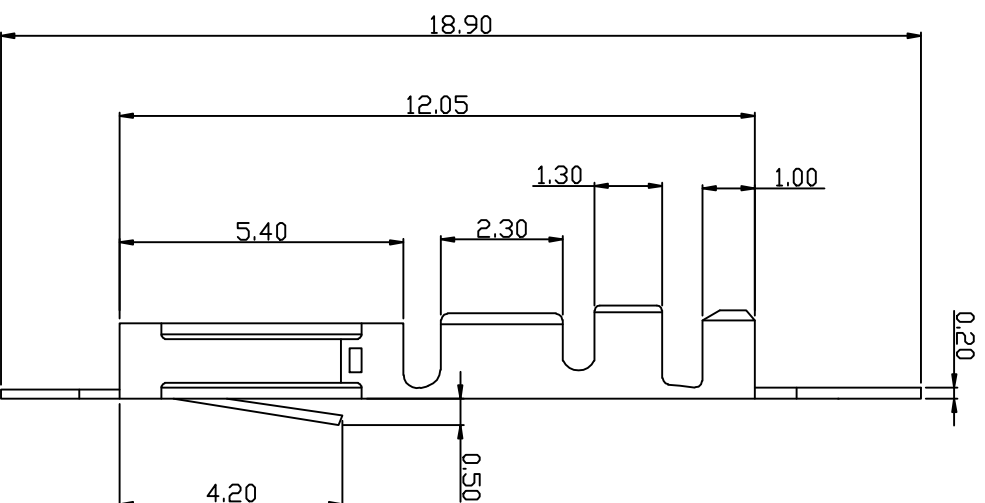
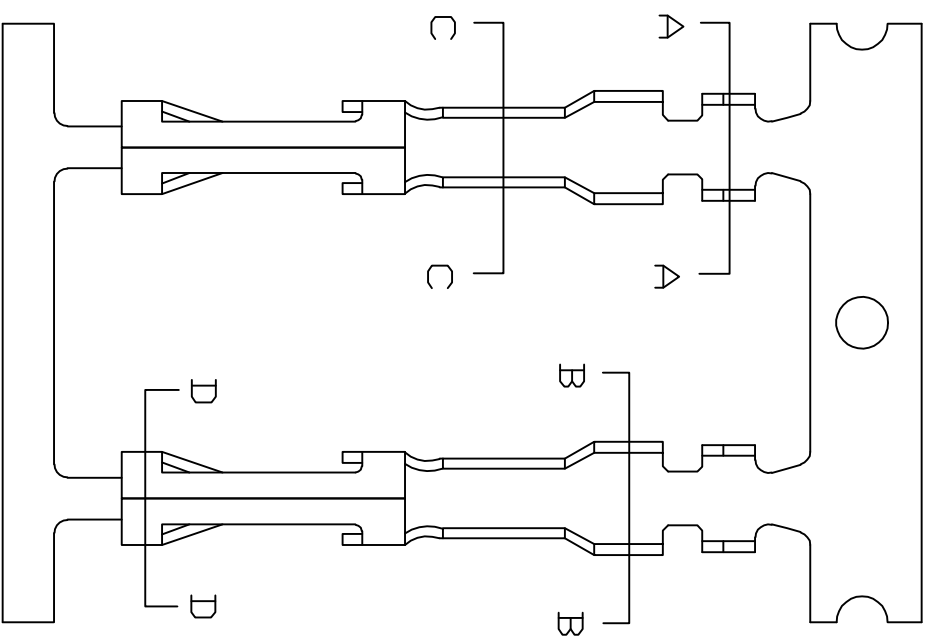
C

E

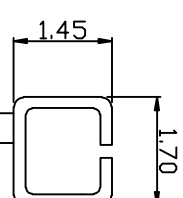
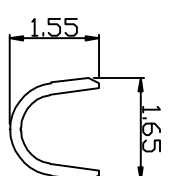
公差表

REV	ECN NO	LOCATIONS	DESCRIPTION	DATE	CHANGER
A			新版本	2016-05-26	李国常

4

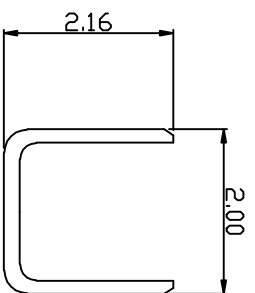


- SPECIFICATIONS**
- Voltage rating: 250V AC, DC
  - Current rating: 3A, AC, DC
  - Withstanding Voltage: 1000V AC/minute
  - Insulation resistance: 1000MΩ min
  - Temperature range: -40℃~+85℃
  - Contact resistance: 10MΩ max
- TERMINAL**
- Part No: T2543PT
  - Applicable wire: AWG#22-#26
  - Material: Phosphor Bronze
  - Finish: Tin plated

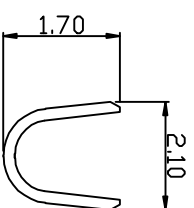


SEC: C-C

SEC: D-D



SEC: A-A



SEC: B-B

**KLT** 深圳市康利通电子科技有限公司

成品规格图

TOLERANCE

0±0.30

.0±0.25

.00±0.20

.000±0.015

TITLE	DATE	SCALE	VER No	SIZE
CHECKED BY	2016-05-26	1:1		
DRAWN BY	UNIT:mm		A	A4
DRAWN BY	PART NO	T2543PT		
李国常				

B

C

D

E

F

1

4

B

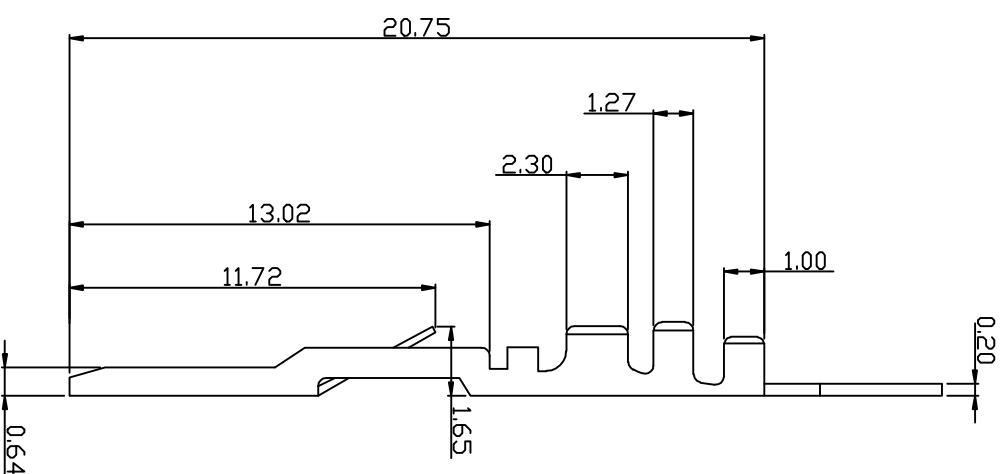
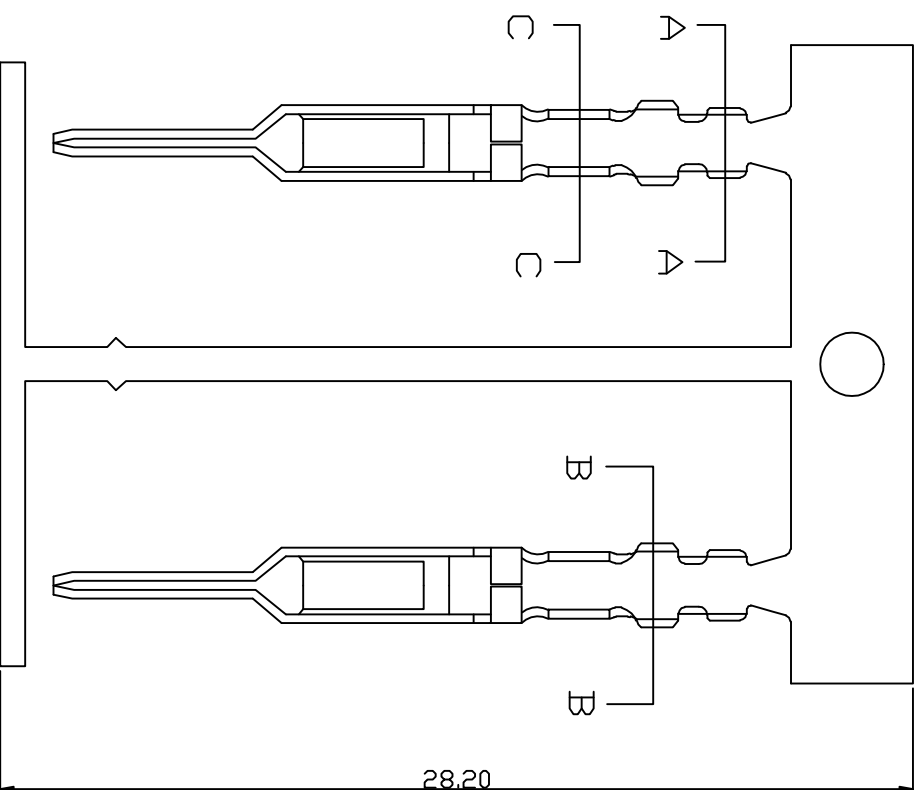
C

E

公差表

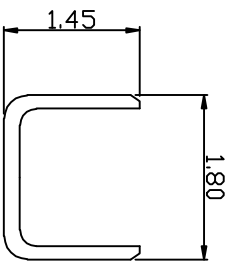
REV	ECN NO	LOCATIONS	DESCRIPTION	DATE	CHANGER
A			新版本	2016-05-26	李国常

4

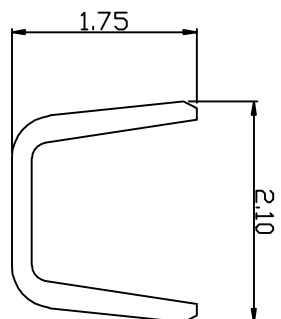


- SPECIFICATIONS**
- Voltage rating: 250V AC, DC
  - Current rating: 3A, AC, DC
  - Withstanding Voltage: 1000V AC/minute
  - Insulation resistance: 1000MΩ min
  - Temperature range: -40°C~+85°C
  - Contact resistance: 10MΩ max
- TERMINAL**
- Part No: T2543MPT
  - Applicable wire: AWG#22-#26
  - Material: Phosphor Bronze
  - Finish: Tin plated

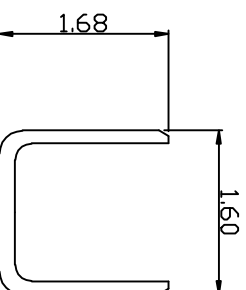
4



SEC: A-A



SEC: B-B



SEC: C-C

**KLIT** 深圳市康利通电子科技有限公司

成品规格图

TOCERANCE

0±0.30

.0±0.25

.00±0.20

.000±0.015

1

TITLE

CHECKED BY

DATE

SCALE

1:1

VER No

SIZE

DRAWN BY

UNIT:mm



A

A4

李国常

PART NO

T2543MPT

B

C

D

E

F

B

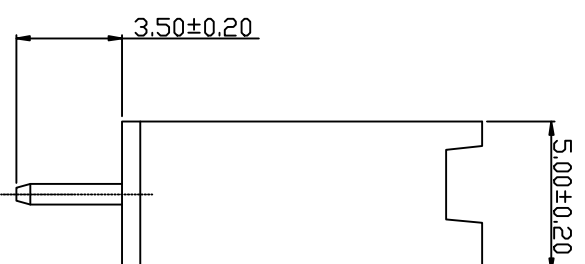
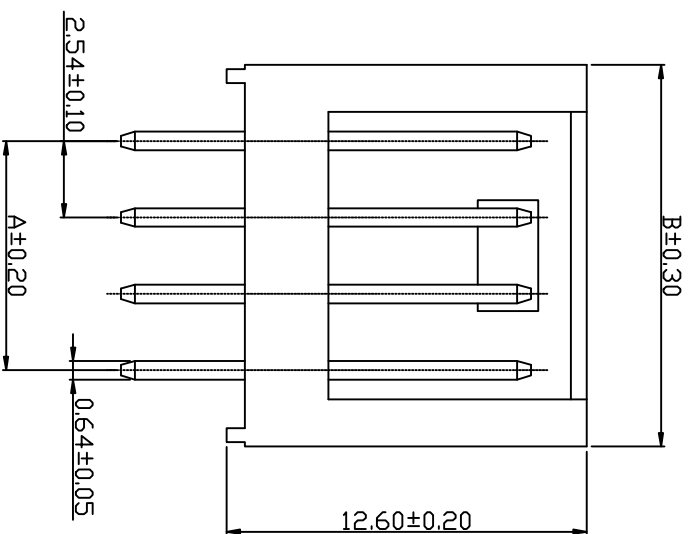
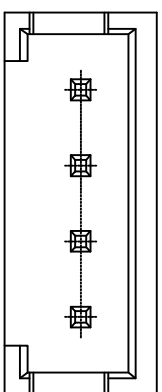
C

E

公差表

REV	ECN NO	LOCATIONS	DESCRIPTION	DATE	CHANGER
A			新版本	2016-05-26	李国常

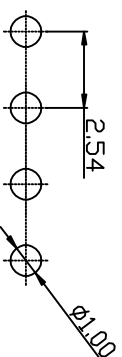
4



Part No	Dimensions (mm)	
	A	B
W2543V-02	2.54	7.70
W2543V-03	5.08	10.20
W2543V-04	7.62	12.70
W2543V-05	10.16	15.20
W2543V-06	12.70	17.80
W2543V-07	15.24	20.30
W2543V-08	17.78	22.90
W2543V-09	20.32	25.40
W2543V-10	22.86	28.00
W2543V-11	25.40	30.50
W2543V-12	27.94	33.10

Part No	Dimensions (mm)	
	A	B
W2543V-13	30.48	35.60
W2543V-14	33.02	38.10
W2543V-15	35.56	40.70
W2543V-16	38.10	43.20
W2543V-17	40.64	45.70
W2543V-18	43.18	48.20
W2543V-19	45.72	50.70
W2543V-20	48.26	53.20
W2543V-21	50.80	55.70
W2543V-22	53.34	58.50

- SPECIFICATIONS**
- Voltage rating: 250V AC, DC
  - Current rating: 3A, AC, DC
  - Withstanding Voltage: 1000V AC/minute
  - Insulation resistance: 1000MΩ min
  - Temperature range: -40℃~+85℃
  - Contact resistance: 20MΩ max
- WAFER
- Part No: W2543V-NP
  - Poles: 02-22
  - Material: PBT UL94V-0
  - Pin Material: Brass /Tin-plated



P.C.B LAYOUT

**KLT** 深圳市康利通电子科技有限公司

成品规格图

Tolerance

0±0.30

.0±0.25

.00±0.20

.000±0.015

TITLE	成品规格图		Tolerance	
CHECKED BY	DATE	SCALE	VER No	SIZE
	2016-05-26	1:1		
DRAWN BY	UNIT:mm		A	A4
李国常	PART No	W2543V-NP		

B

C

D

E

F

4

B

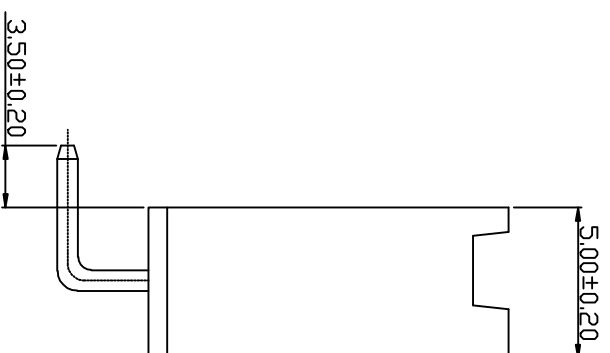
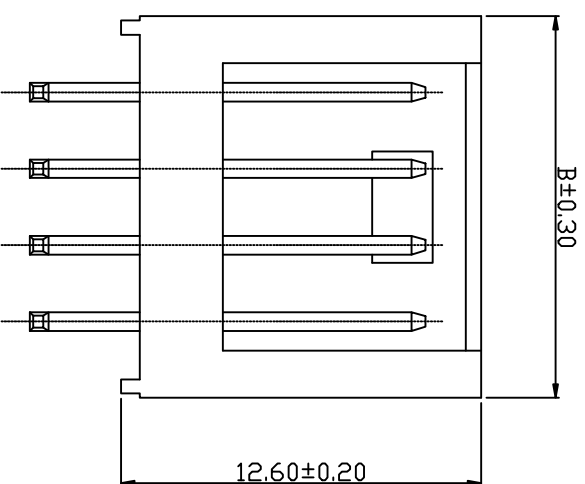
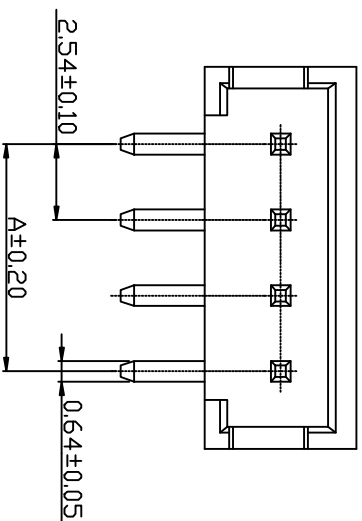
C

E

公差表

REV	ECN NO	LOCATIONS	DESCRIPTION	DATE	CHANGER
A			新版本	2016-05-26	李国常

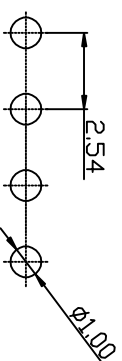
4



- SPECIFICATIONS**
- Voltage rating: 250V AC, DC
  - Current rating: 3A, AC, DC
  - Withstanding Voltage: 1000V AC/minute
  - Insulation resistance: 1000MΩ min
  - Temperature range: -40°C~+85°C
  - Contact resistance: 20MΩ max
- WAFER
- Part No: W2543R-NP
  - Poles: 02-22
  - Material: PBT UL94V-0
  - Pin Material: Brass /Tin-plated

Part No	Dimensions (mm)	
	A	B
W2543R-02	2.54	7.70
W2543R-03	5.08	10.20
W2543R-04	7.62	12.70
W2543R-05	10.16	15.20
W2543R-06	12.70	17.80
W2543R-07	15.24	20.30
W2543R-08	17.78	22.90
W2543R-09	20.32	25.40
W2543R-10	22.86	28.00
W2543R-11	25.40	30.50
W2543R-12	27.94	33.10

Part No	Dimensions (mm)	
	A	B
W2543R-13	30.48	35.60
W2543R-14	33.02	38.10
W2543R-15	35.56	40.70
W2543R-16	38.10	43.20
W2543R-17	40.64	45.70
W2543R-18	43.18	48.20
W2543R-19	45.72	50.70
W2543R-20	48.26	53.20
W2543R-21	50.80	55.70
W2543R-22	53.34	58.50



P.C.B LAYOUT

**KLT** 深圳市康利通电子科技有限公司

Tolerance

0±0.30

.0±0.25

.00±0.20

.000±0.015

VER No SIZE

A A4

TITLE	成品规格图		Tolerance	
CHECKED BY	DATE	SCALE	VER No	SIZE
DRAWN BY	UNIT:mm	1:1	A	A4
李国常	2016-05-26			
PART No	W2543R-NP			

B

C

D

E

F

4

1