

B

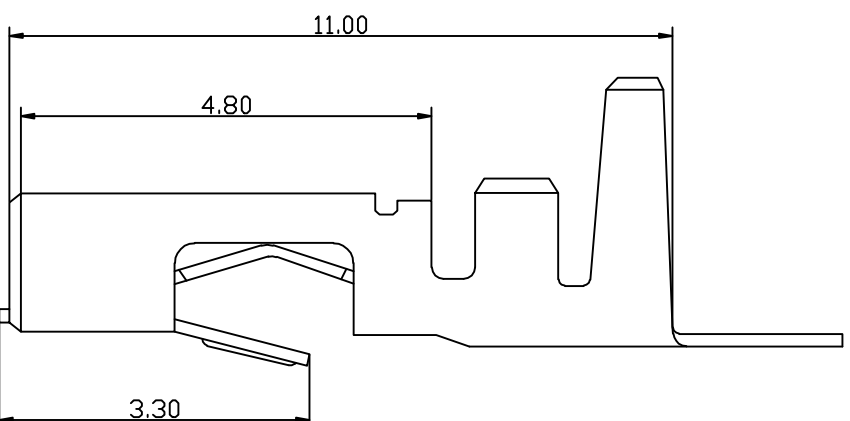
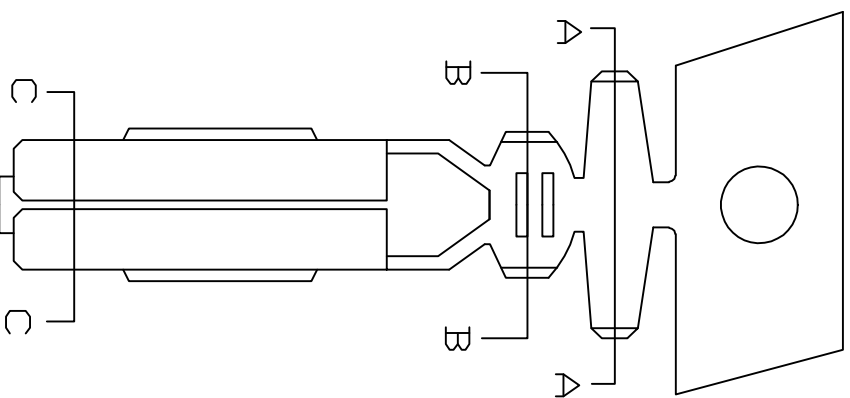
C

E

公差表

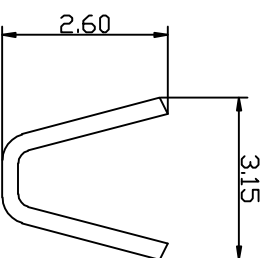
REV	ECN NO	LOCATIONS	DESCRIPTION	DATE	CHANGER
A			新版本	2016-05-17	李国常

4

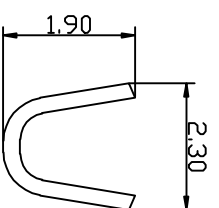


- SPECIFICATIONS**
- Voltage rating: 250V AC, DC
 - Current rating: 3A, AC, DC
 - Withstanding Voltage: 1000V AC/minute
 - Insulation resistance: 1000MΩ min
 - Temperature range: -40℃~+85℃
 - Contact resistance: 10MΩ max
- TERMINAL**
- Part No: T2513BT
 - Applicable wire: AWG#22-#28
 - Material: Brass
 - Finish: Tin plated

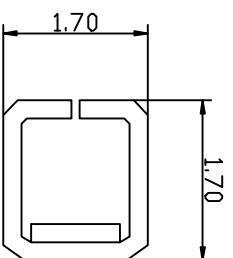
4



SEC: A-A



SEC: B-B



SEC: C-C

KLT 深圳市康利通电子科技有限公司

成品规格图

Tolerance

0±0.30

.0±0.25

.00±0.20

.000±0.015

1

TITLE	DATE	SCALE	VER No	SIZE
CHECKED BY	2016-05-17	1:1	A	A4
DRAWN BY	UNIT:mm			
DRAWN BY	PART No	T2513BT		

B

C

D

E

F

B

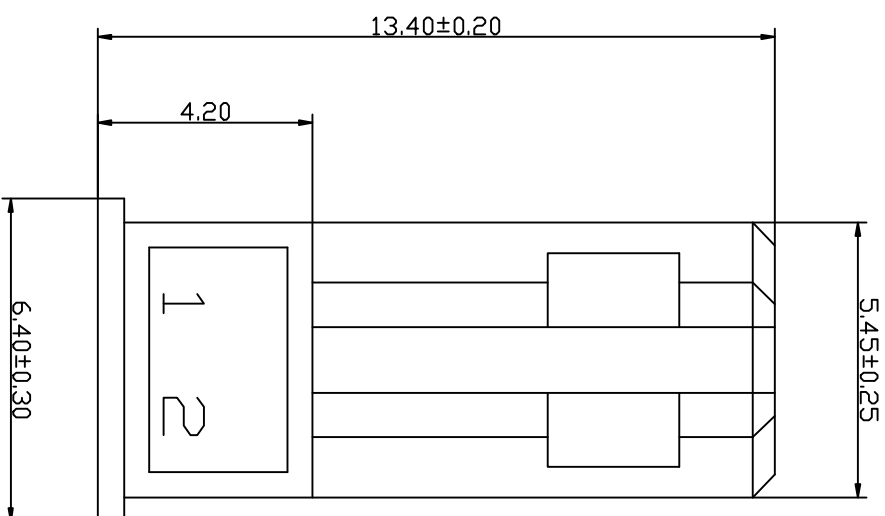
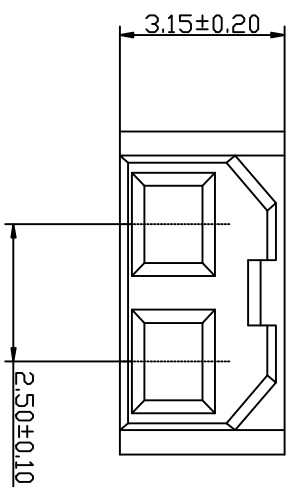
C

E

公差表

REV	ECN NO	LOCATIONS	DESCRIPTION	DATE	CHANGER
A			新版本	2016-05-17	李国常

4



- SPECIFICATIONS**
- Voltage rating: 250V AC, DC
 - Current rating: 3A, AC, DC
 - Withstanding Voltage: 1500V AC/minute
 - Insulation resistance: 500MΩ min
 - Temperature range: -40°C~+85°C
 - Contact resistance: 10MΩ max
- HOUSING**
- Part No: H2513-02
 - Material: Nylon 66 UL94V-2

H2513-02-1 (Red)
H2513-02-2 (White)
H2513-02-3 (Black)

4


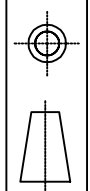
B

C

D

E

F

 深圳市康利通电子科技有限公司		TOLERANCE	
		0±0.30	
TITLE	成品规格图	.0±0.25	
CHECKED BY	DATE	SCALE	VER No
	2016-05-17	1:1	SIZE
DRAWN BY	UNIT:mm		A
李国常	PART No	H2513-02	

1