

B

C

E

公差表

REV	ECN NO	LOCATIONS	DESCRIPTION	DATE	CHANGER
A			新版本	2016-04-29	李国常

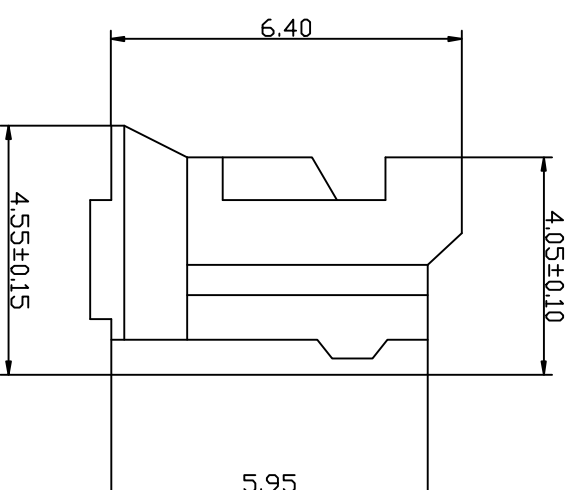
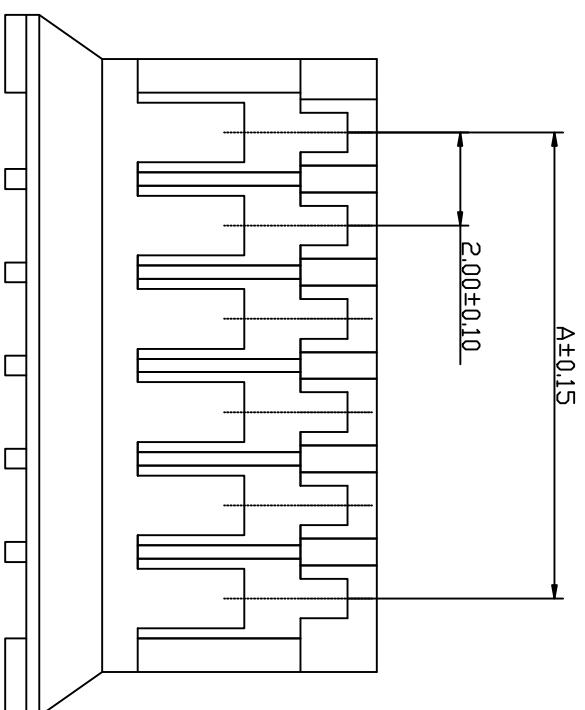
■ SPECIFICATIONS

- Voltage rating: 100V AC, DC
- Current rating: 2A, AC, DC
- Withstanding Voltage: 800V AC/minute
- Insulation resistance: 1000MΩ min
- Temperature range: -40℃~+85℃
- Contact resistance: 10MΩ max

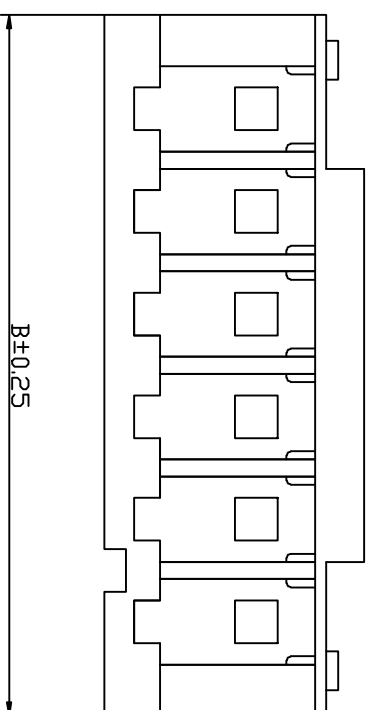
■ HOUSING

- Part No: H2001-NP
- Poles: 02-20
- Material: Nylon 66 UL94V-0

4



Part No	Dimensions (mm)	
	A	B
H2001-02	2.00	5.80
H2001-03	4.00	7.80
H2001-04	6.00	9.80
H2001-05	8.00	11.80
H2001-06	10.00	13.80
H2001-07	12.00	15.80
H2001-08	14.00	17.80
H2001-09	16.00	19.80
H2001-10	18.00	21.80
H2001-11	20.00	23.80
H2001-12	22.00	25.80
H2001-13	24.00	27.80
H2001-14	26.00	29.80
H2001-15	28.00	31.80
H2001-16	30.00	33.80
H2001-17	32.00	35.80
H2001-18	34.00	37.80
H2001-19	36.00	39.80
H2001-20	38.00	41.80



KLT 深圳市康利通电子科技有限公司

Tolerance

0±0.30

.0±0.25

.00±0.20

.000±0.015

1

B±0.25

TITLE

成品规格图

CHECKED BY

DATE

SCALE

DRAWN BY

UNIT:mm

1:1

VER No

SIZE

李国常

PART No

H2001-NP

A

A4

李国常

PART No

H2001-NP

B

C

D

E

F

4

B

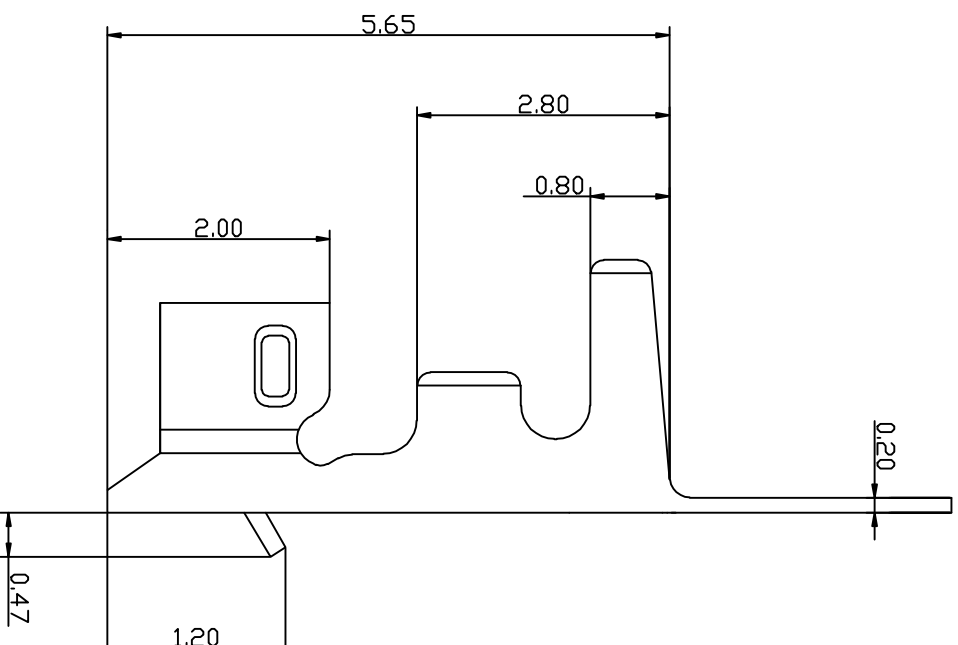
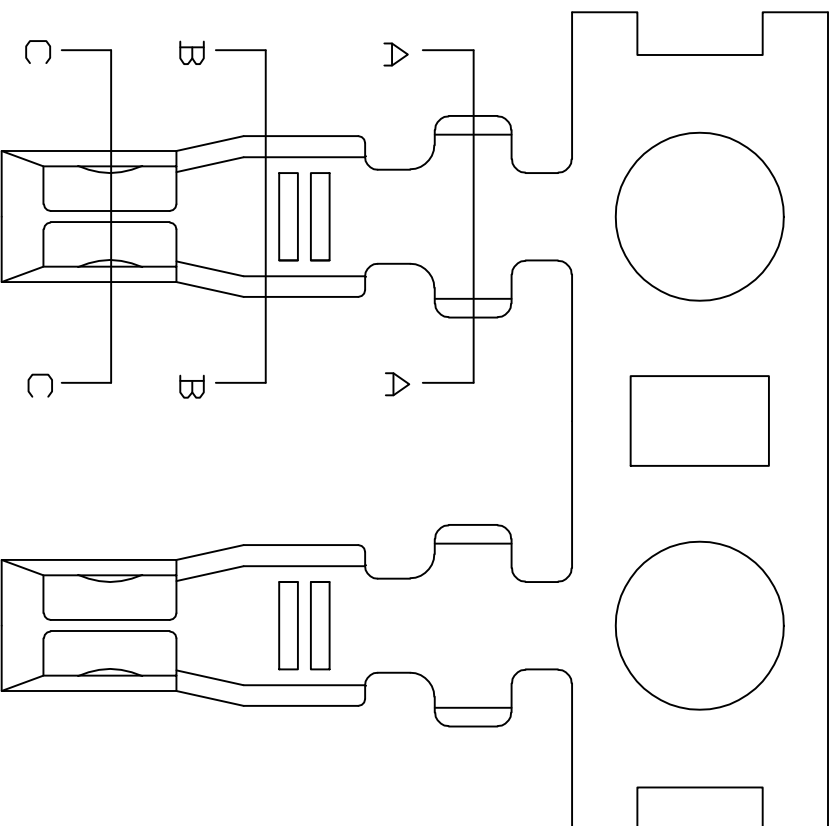
C

E

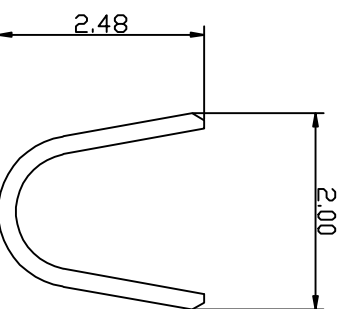
公差表

REV	ECN NO	LOCATIONS	DESCRIPTION	DATE	CHANGER
A			新版本	2016-04-29	李国常

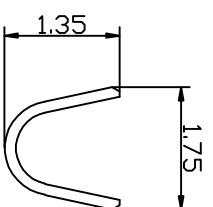
4



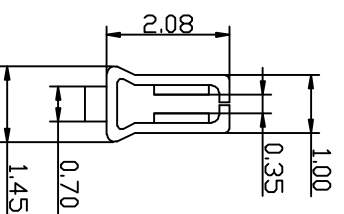
- SPECIFICATIONS**
- Voltage rating: 100V AC, DC
 - Current rating: 2A, AC, DC
 - Withstanding Voltage: 800V AC/minute
 - Insulation resistance: 1000MΩ min
 - Temperature range: -40℃~+85℃
 - Contact resistance: 10MΩ max
- TERMINAL**
- Part No: T2001PT
 - Applicable wire: AWG#24-#30
 - Material: Phosphor Bronze
 - Finish: Tin plated



SEC:A-A



SEC:B-B



SEC:C-C

KLT 深圳市康利通电子科技有限公司

成品规格图

Tolerance

0±0.30

.0±0.25

.00±0.20

.000±0.015

1

TITLE	DATE	SCALE	VER No	SIZE
CHECKED BY	2016-04-29	1:1		
DRAWN BY	UNIT:mm		A	A4
DRAWN BY	PART No	T2001PT		

李国常

李国常

T2001PT

B

C

D

E

F

4

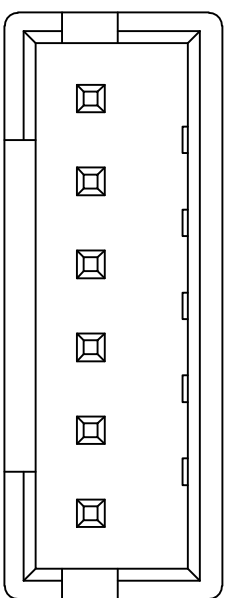
B

C

E

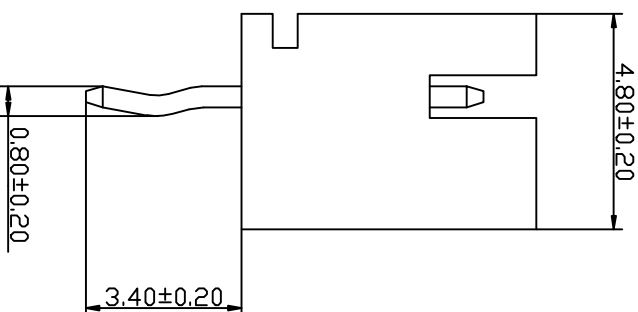
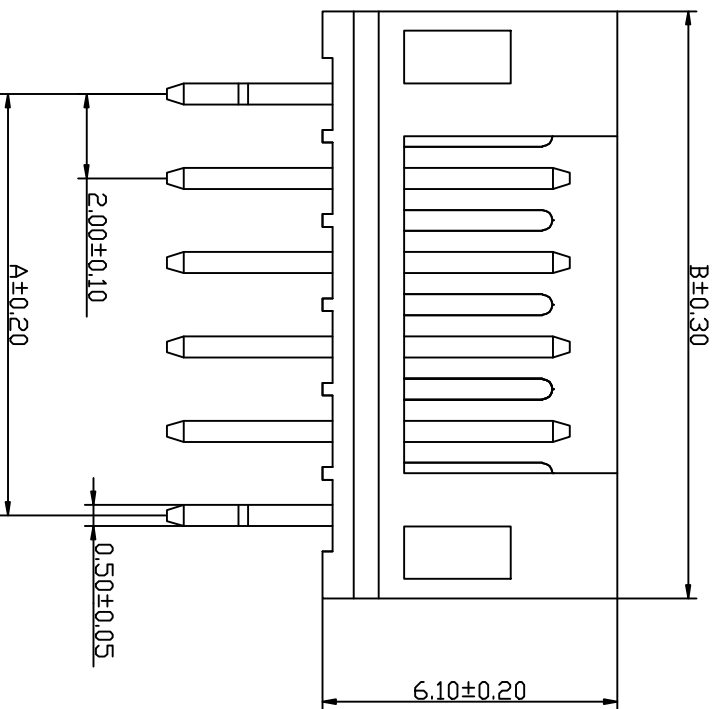
公差表

REV	ECN NO	LOCATIONS	DESCRIPTION	DATE	CHANGER
A			新版本	2016-04-29	李国常

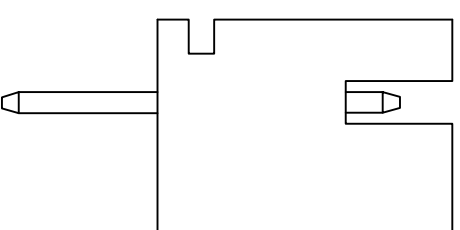


4

4

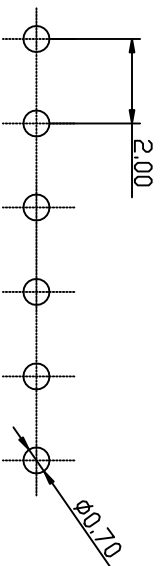


TYPE 1



TYPE 2

Part No	Dimensions (mm)	
	A	B
W2001V-02	2.00	6.00
W2001V-03	4.00	8.00
W2001V-04	6.00	10.00
W2001V-05	8.00	12.00
W2001V-06	10.00	14.00
W2001V-07	12.00	16.00
W2001V-08	14.00	18.00
W2001V-09	16.00	20.00
W2001V-10	18.00	22.00
W2001V-11	20.00	24.00
W2001V-12	22.00	26.00
W2001V-13	24.00	28.00
W2001V-14	26.00	30.00
W2001V-15	28.00	32.00
W2001V-16	30.00	34.00
W2001V-17	32.00	36.00
W2001V-18	34.00	38.00
W2001V-19	36.00	40.00
W2001V-20	38.00	42.00



P.C.B LAYOUT

KLIT 深圳市康利通电子科技有限公司

TOLERANCE

0±0.30

.0±0.25

.00±0.20

.000±0.015

TITLE	成品规格图			
CHECKED BY	DATE	SCALE	VER No	SIZE
	2016-04-29	1:1	A	A4
DRAWN BY	UNIT:mm			
李国常				

PART No	W2001V-NP	
---------	-----------	--

B

C

D

E

F

1

B

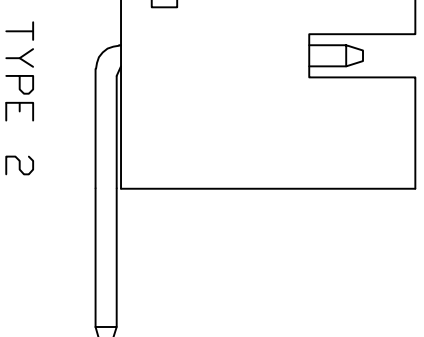
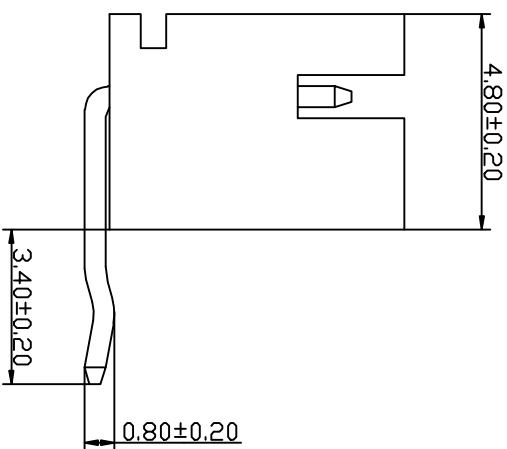
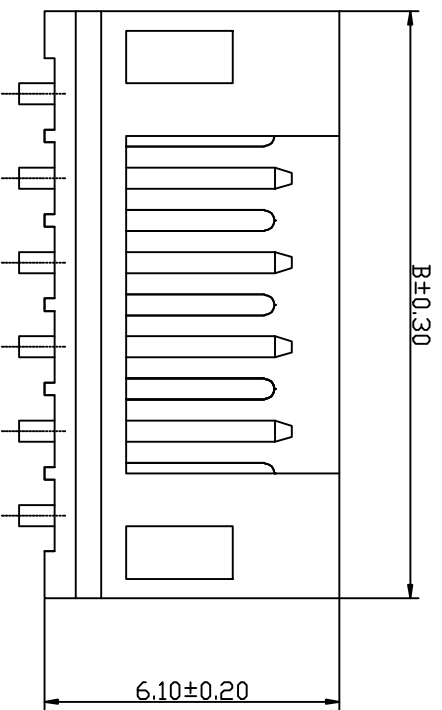
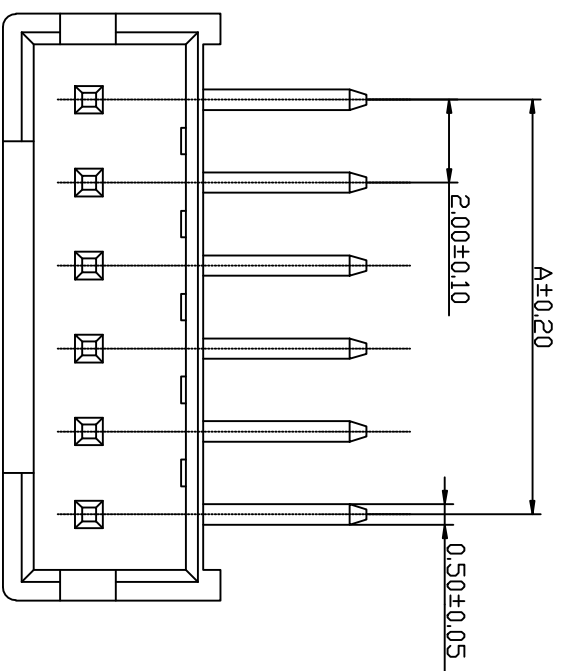
C

E

公差表

REV	ECN NO	LOCATIONS	DESCRIPTION	DATE	CHANGER
A			新版本	2016-04-29	李国常

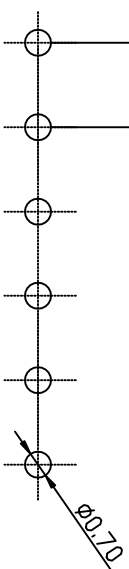
4



Part No	Dimensions (mm)	
	A	B
W2001R-02	2.00	6.00
W2001R-03	4.00	8.00
W2001R-04	6.00	10.00
W2001R-05	8.00	12.00
W2001R-06	10.00	14.00
W2001R-07	12.00	16.00
W2001R-08	14.00	18.00
W2001R-09	16.00	20.00
W2001R-10	18.00	22.00
W2001R-11	20.00	24.00
W2001R-12	22.00	26.00
W2001R-13	24.00	28.00
W2001R-14	26.00	30.00
W2001R-15	28.00	32.00
W2001R-16	30.00	34.00
W2001R-17	32.00	36.00
W2001R-18	34.00	38.00
W2001R-19	36.00	40.00
W2001R-20	38.00	42.00

TYPE 1

TYPE 2



P.C.B LAYOUT

KLT 深圳市康利通电子科技有限公司

TOLERANCE

0±0.30

.0±0.25

.00±0.20

.000±0.015

1

TITLE	成品规格图			
CHECKED BY	DATE	SCALE	VER No	SIZE
	2016-04-29	1:1	A	A4
DRAWN BY	UNIT:mm			
李国常				
PART No	W2001R-NP			

B

C

D

E

F

4

B

C

E

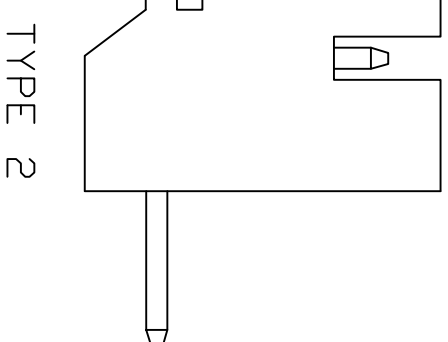
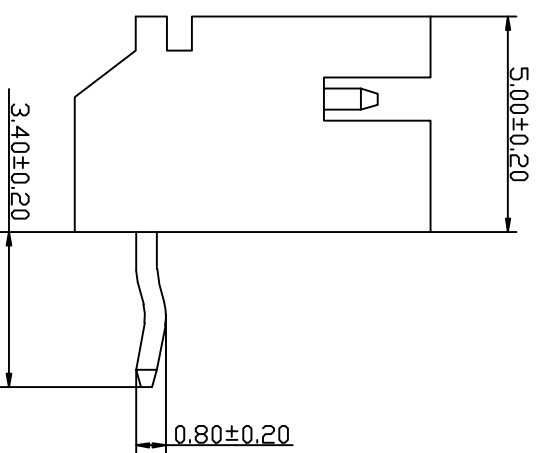
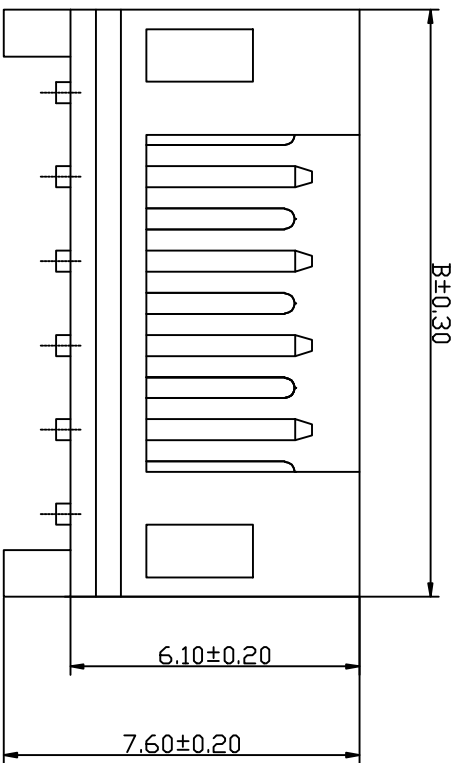
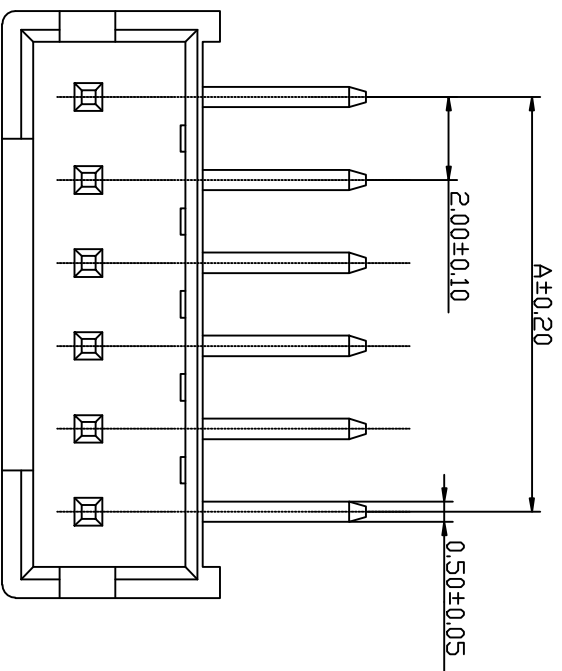
公差表

REV	ECN NO	LOCATIONS	DESCRIPTION	DATE	CHANGER
A			新版本	2016-04-29	李国常

■ SPECIFICATIONS

- Voltage rating: 250V AC, DC
 - Current rating: 2A, AC, DC
 - Withstanding Voltage: 800V AC/minute
 - Insulation resistance: 1000MΩ min
 - Temperature range: -40°C~+85°C
 - Contact resistance: 10MΩ max
- WAFER
- Part No: W2001RB-NP
 - Poles: 02-20
 - Material: Nylon 66 UL94V-2
 - Ter Material: Brass /Tin-plated

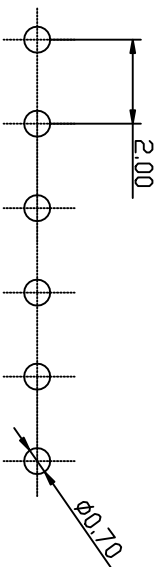
4



Part No	Dimensions (mm)	
	A	B
W2001RB-02	2.00	6.00
W2001RB-03	4.00	8.00
W2001RB-04	6.00	10.00
W2001RB-05	8.00	12.00
W2001RB-06	10.00	14.00
W2001RB-07	12.00	16.00
W2001RB-08	14.00	18.00
W2001RB-09	16.00	20.00
W2001RB-10	18.00	22.00
W2001RB-11	20.00	24.00
W2001RB-12	22.00	26.00
W2001RB-13	24.00	28.00
W2001RB-14	26.00	30.00
W2001RB-15	28.00	32.00
W2001RB-16	30.00	34.00
W2001RB-17	32.00	36.00
W2001RB-18	34.00	38.00
W2001RB-19	36.00	40.00
W2001RB-20	38.00	42.00

TYPE 1

TYPE 2



P.C.B LAYOUT

KLT 深圳市康利通电子科技有限公司

成品规格图

TOCERANCE

0±0.30

.0±0.25

.00±0.20

.000±0.015

TITLE	成品规格图		SCALE		VER No		SIZE	
CHECKED BY	DATE	SCALE	1:1	VER No	SIZE			
2016-04-29								

DRAWN BY	UNIT:mm		A	A4
----------	---------	--	---	----

李国常	PART No	W2001RB-NP
-----	---------	------------

B

C

▽

D

E

F

4

1