

B

C

E

公差表

REV	ECN NO	LOCATIONS	DESCRIPTION	DATE	CHANGER
A			新版本	2016-05-06	李国常

SPECIFICATIONS

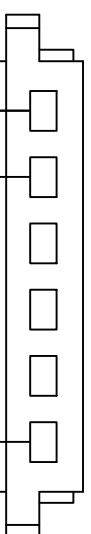
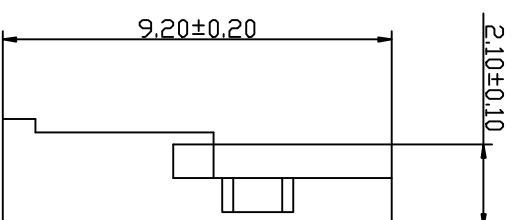
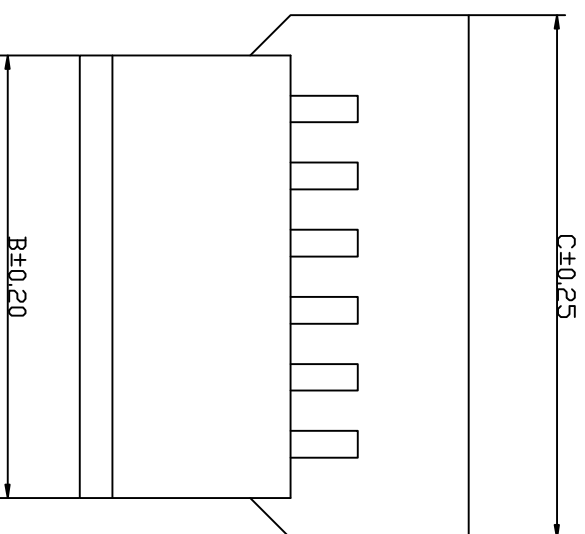
- Voltage rating: 125V AC, DC
- Current rating: 2A, AC, DC
- Withstanding Voltage: 500V AC/minute
- Insulation resistance: 1000MΩ min
- Temperature range: -40℃~+85℃
- Contact resistance: 20MΩ max

HOUSING

- Part No: H2003-NP
- Poles: 02-20
- Material: PBT UL94V-0

4

4



Part No	Dimensions (mm)		
	A	B	C
H2003-02	2.00	4.60	6.60
H2003-03	4.00	6.60	8.60
H2003-04	6.00	8.60	10.60
H2003-05	8.00	10.60	12.60
H2003-06	10.00	12.60	14.60
H2003-07	12.00	14.60	16.60
H2003-08	14.00	16.60	18.60
H2003-09	16.00	18.60	20.60
H2003-10	18.00	20.60	22.60
H2003-11	20.00	22.60	24.60
H2003-12	22.00	24.60	26.60
H2003-13	24.00	26.60	28.60
H2003-14	26.00	28.60	30.60
H2003-15	28.00	30.60	32.60
H2003-16	30.00	32.60	34.60
H2003-17	32.00	34.60	36.60
H2003-18	34.00	36.60	38.60
H2003-19	36.00	38.60	40.60
H2003-20	38.00	40.60	42.60

KLT 深圳市康利通电子科技有限公司

成品规格图

T OCCERANCE

0±0.30

.0±0.25

.00±0.20

.000±0.015

VER No SIZE

A A4

1

TITLE	成品规格图		T OCCERANCE	
CHECKED BY	DATE	SCALE	VER No	SIZE
	2016-05-06	1:1	A	A4
DRAWN BY	UNIT:mm	H2003-NP		
李国常	PART No			

B

C

D

E

F

B

C

E

公差表

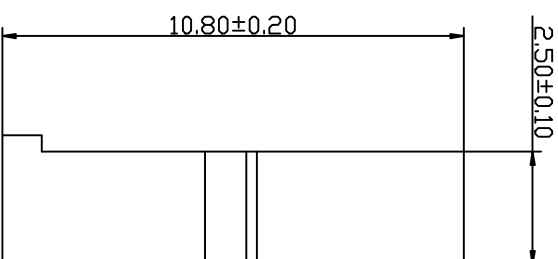
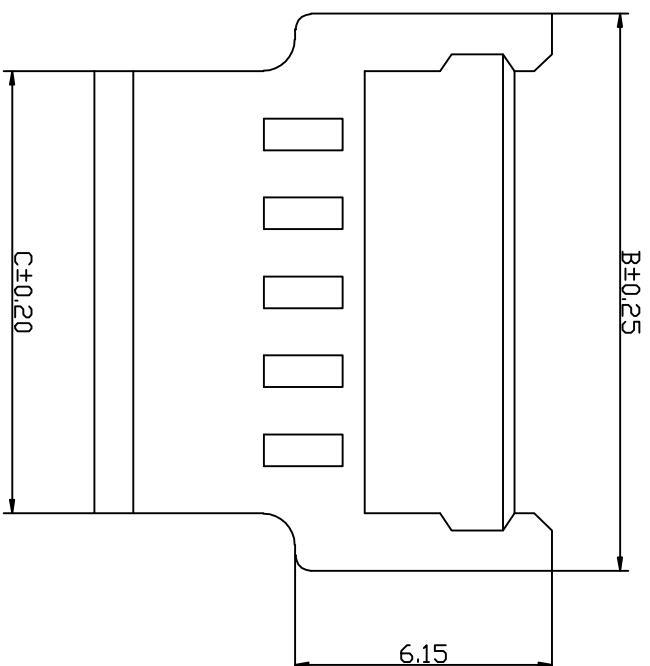
REV	ECN NO	LOCATIONS	DESCRIPTION	DATE	CHANGER
A			新版本	2016-05-06	李国常

SPECIFICATIONS

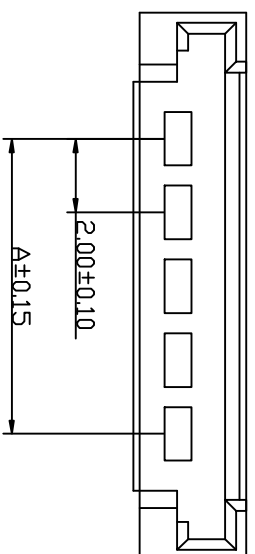
- Voltage rating: 125V AC, DC
- Current rating: 2A, AC, DC
- Withstanding Voltage: 500V AC/minute
- Insulation resistance: 1000MΩ min
- Temperature range: -40℃~+85℃
- Contact resistance: 20MΩ max

HOUSING

- Part No: H2004-NP
- Poles: 02-20
- Material: PBT UL94V-0



Part No	Dimensions (mm)		
	A	B	C
H2004-02	2.00	8.20	4.60
H2004-03	4.00	10.20	6.60
H2004-04	6.00	12.20	8.60
H2004-05	8.00	14.20	10.60
H2004-06	10.00	16.20	12.60
H2004-07	12.00	18.20	14.60
H2004-08	14.00	20.20	16.60
H2004-09	16.00	22.20	18.60
H2004-10	18.00	24.20	20.60
H2004-11	20.00	26.20	22.60
H2004-12	22.00	28.20	24.60
H2004-13	24.00	30.20	26.60
H2004-14	26.00	32.20	28.60
H2004-15	28.00	34.20	30.60
H2004-16	30.00	36.20	32.60
H2004-17	32.00	38.20	34.60
H2004-18	34.00	40.20	36.60
H2004-19	36.00	42.20	38.60
H2004-20	38.00	44.20	40.60



KLT 深圳市康利通电子科技有限公司

成品规格图

TOLERANCE

0±0.30

.0±0.25

.00±0.20

.000±0.015

TITLE	成品规格图		TOLERANCE	
CHECKED BY	DATE	SCALE	VER No	SIZE
	2016-05-06	1:1	A	A4
DRAWN BY	UNIT:mm			
李国常	PART No	H2004-NP		

4

4

B

C

D

E

F

1

B

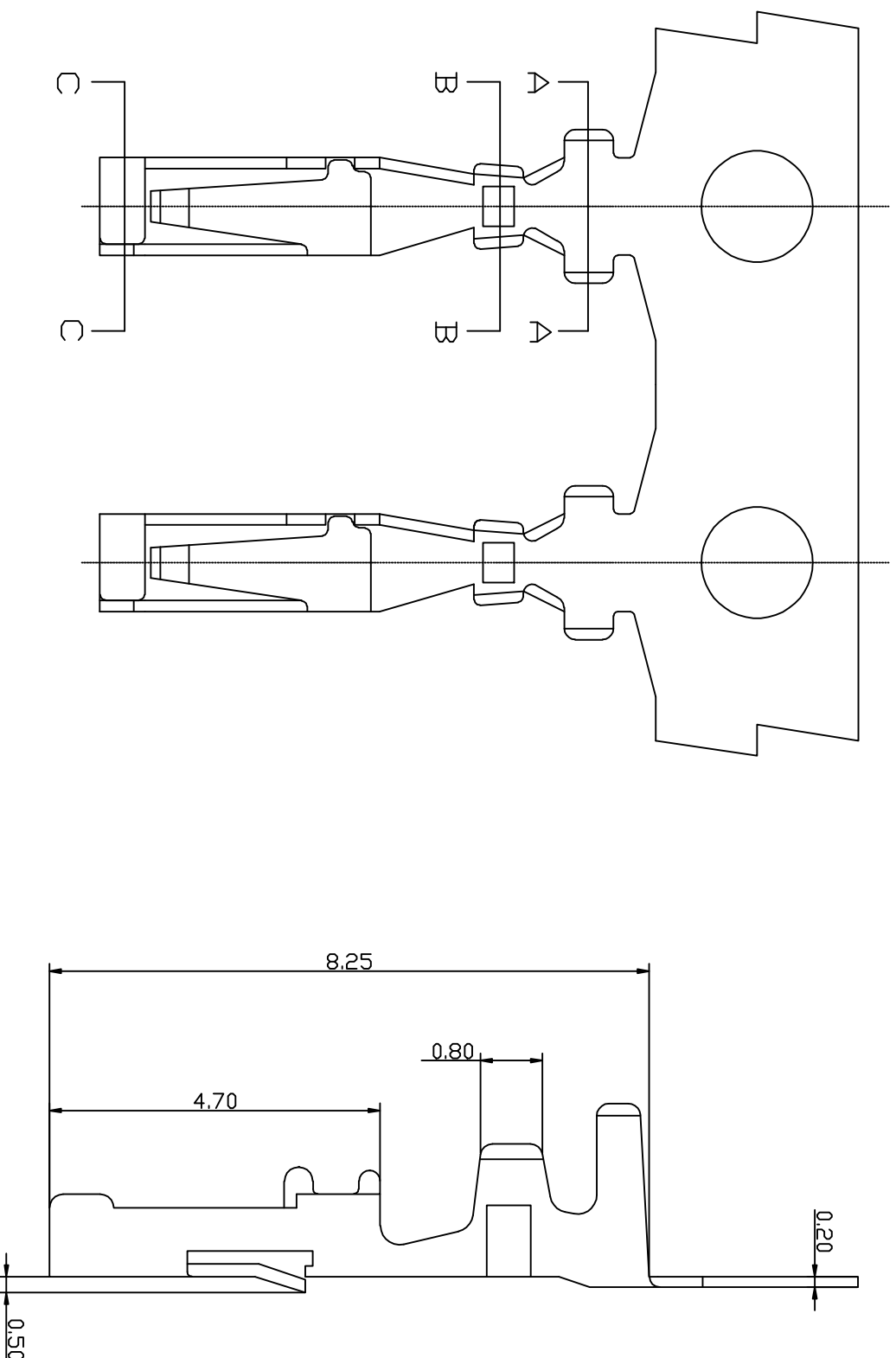
C

E

公差表

REV	ECN NO	LOCATIONS	DESCRIPTION	DATE	CHANGER
A			新版本	2016-05-06	李国常

4



SEC:A-A

SEC:B-B

SEC:C-C

- SPECIFICATIONS**
- Voltage rating: 125V AC, DC
 - Current rating: 2A, AC, DC
 - Withstanding Voltage: 500V AC/minute
 - Insulation resistance: 1000MΩ min
 - Temperature range: -40℃~+85℃
 - Contact resistance: 20MΩ max
- TERMINAL**
- Part No: T2003BT
 - Applicable wire: AWG#24-#28
 - Material: Brass
 - Finish: Tin plated

KLT 深圳市康利通电子科技有限公司

成品规格图

TOCERANCE

0±0.30

.0±0.25

.00±0.20

.000±0.015

1

TITLE	DATE	SCALE	VER No	SIZE
CHECKED BY	2016-05-06	1:1		
DRAWN BY	UNIT:mm		A	A4
李国常	PART No	T2003BT		

B

C

D

E

F

4

B

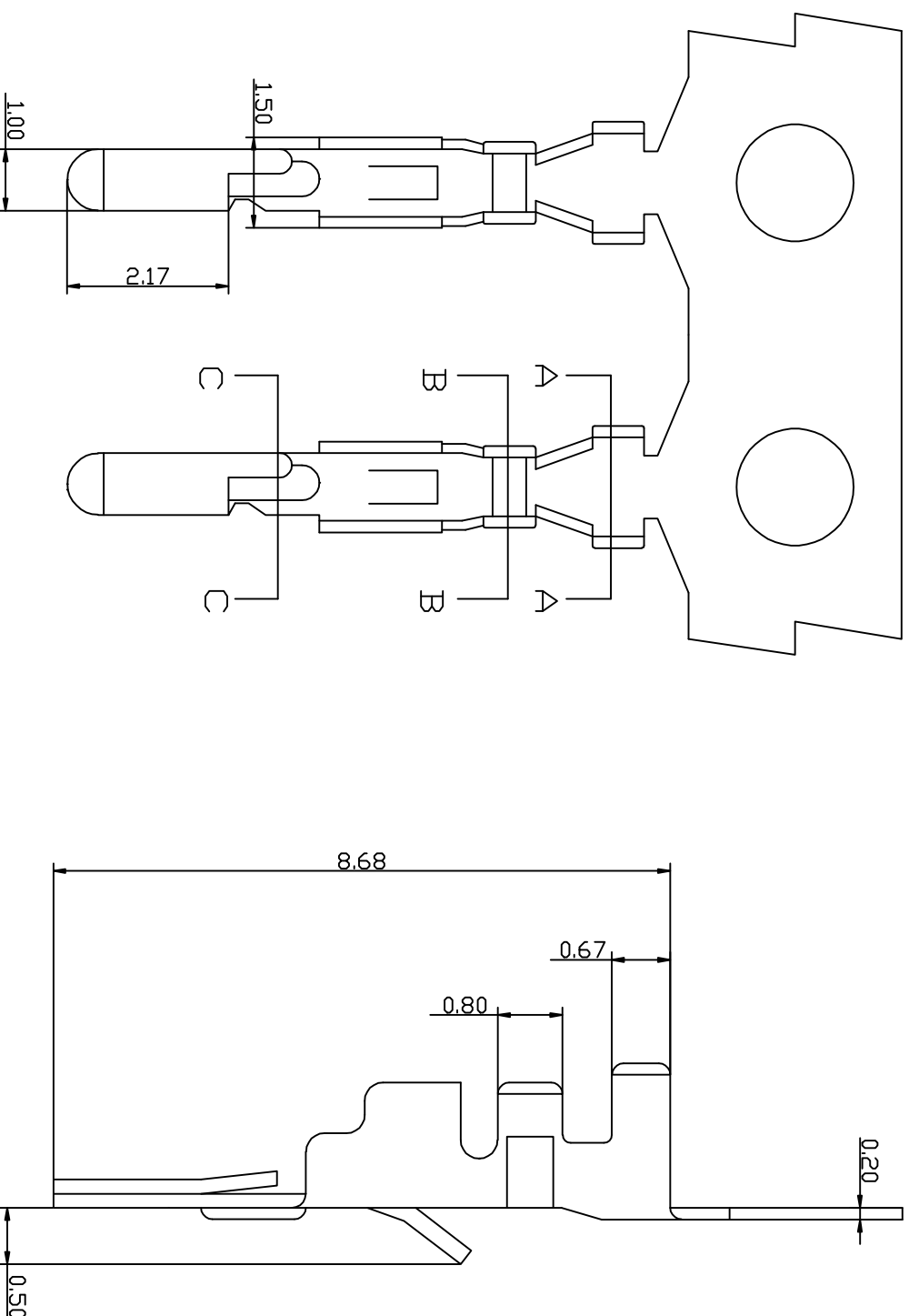
C

E

公差表

REV	ECN NO	LOCATIONS	DESCRIPTION	DATE	CHANGER
A			新版本	2016-05-06	李国常

4



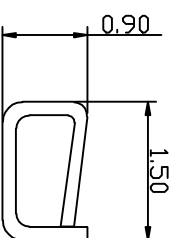
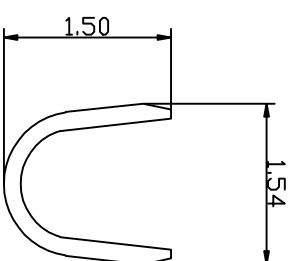
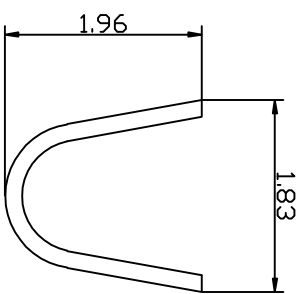
- SPECIFICATIONS**
- Voltage rating: 125V AC, DC
 - Current rating: 2A, AC, DC
 - Withstanding Voltage: 500V AC/minute
 - Insulation resistance: 1000MΩ min
 - Temperature range: -40℃~+85℃
 - Contact resistance: 20MΩ max
- TERMINAL**
- Part No: T2004BT
 - Applicable wire: AWG#24-#28
 - Material: Brass
 - Finish: Tin plated

4

SEC: A-A

SEC: B-B

SEC: C-C



KLT 深圳市康利通电子科技有限公司

成品规格图

TOLERANCE

0±0.30

.0±0.25

.00±0.20

.000±0.015

1

TITLE	DATE	SCALE	VER No	SIZE
CHECKED BY	2016-05-06	1:1		
DRAWN BY	UNIT:mm		A	A4
李国常	PART No	T2004BT		

B

C

D

E

F