

B

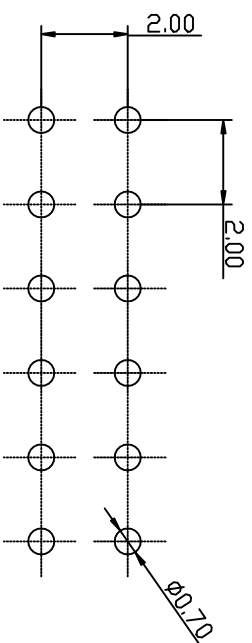
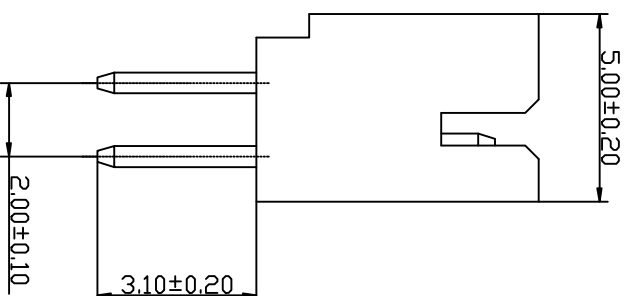
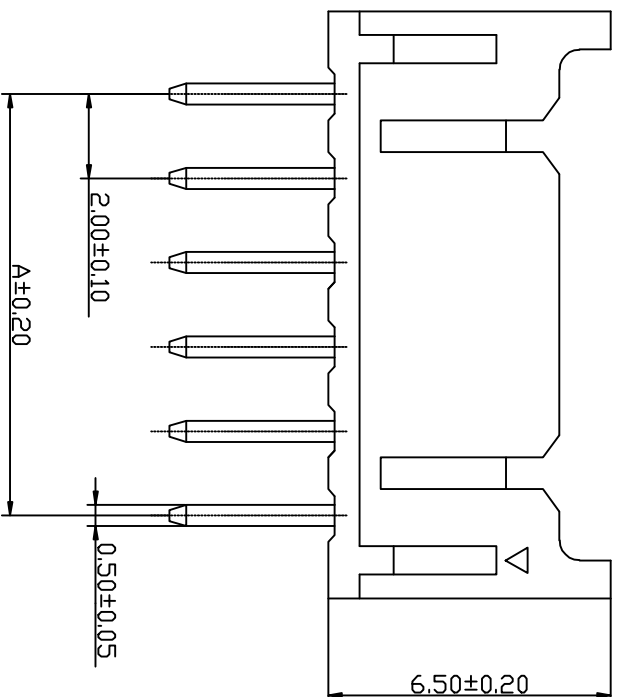
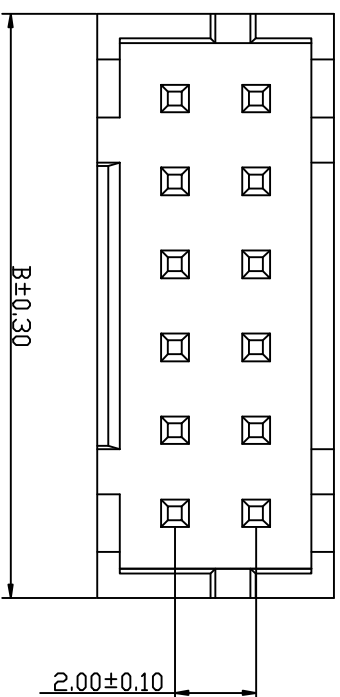
C

E

公差表

REV	ECN NO	LOCATIONS	DESCRIPTION	DATE	CHANGER
A			新版本	2016-05-07	李国常

4



P.C.B LAYOUT

Part No	Dimensions (mm)	
	A	B
W2011V-2*02	2.00	6.00
W2011V-2*03	4.00	8.00
W2011V-2*04	6.00	10.00
W2011V-2*05	8.00	12.00
W2011V-2*06	10.00	14.00
W2011V-2*07	12.00	16.00
W2011V-2*08	14.00	18.00
W2011V-2*09	16.00	20.00
W2011V-2*10	18.00	22.00
W2011V-2*11	20.00	24.00
W2011V-2*12	22.00	26.00
W2011V-2*13	24.00	28.00
W2011V-2*14	26.00	30.00
W2011V-2*15	28.00	32.00
W2011V-2*16	30.00	34.00
W2011V-2*17	32.00	36.00
W2011V-2*18	34.00	38.00
W2011V-2*19	36.00	40.00
W2011V-2*20	38.00	42.00

- SPECIFICATIONS**
- Voltage rating: 250V AC, DC
 - Current rating: 3A, AC, DC
 - Withstanding Voltage: 800V AC/minute
 - Insulation resistance: 1000MΩ min
 - Temperature range: -40℃~+85℃
 - Contact resistance: 10MΩ max
- WAFER**
- Part No: W2011V-2*NP
 - Poles: 04-40
 - Material: Nylon 66 UL94V-0
 - Pin Material: Brass /Tin-plated

KLT 深圳市康利通电子科技有限公司

成品规格图

TOCERANCE

0±0.30

.0±0.25

.00±0.20

.000±0.015

TITLE	成品规格图		SCALE		VER No		SIZE	
CHECKED BY	DATE	2016-05-07	SCALE	1:1	VER No	SIZE		
DRAWN BY	UNIT:mm				A	A4		

DRAWN BY	UNIT:mm				A	A4		
PART No	W2011V-2*NP							

李国常

PART No

W2011V-2*NP

B

C

D

E

F

1

4

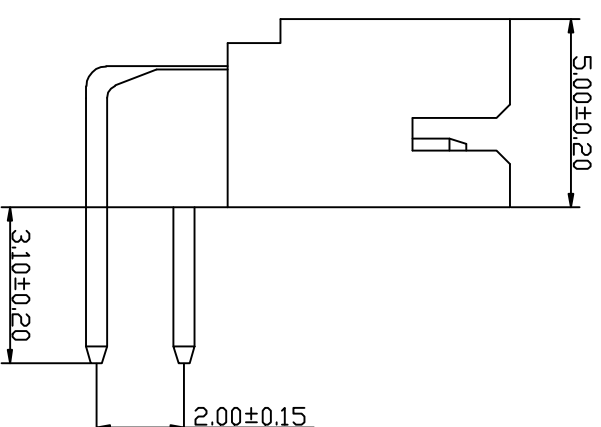
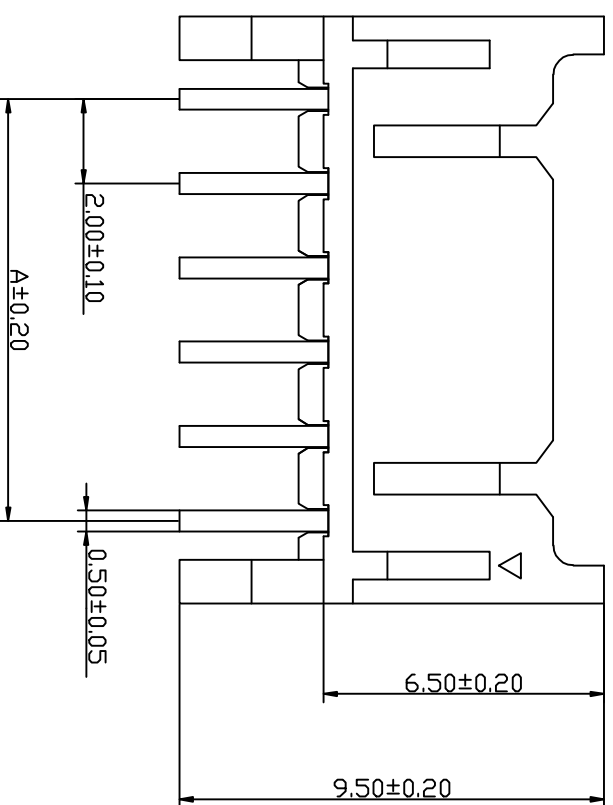
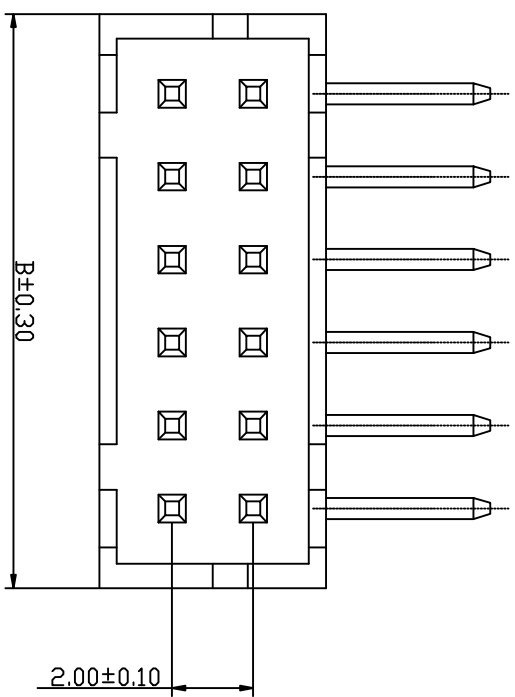
B

C

E

公差表

REV	ECN NO	LOCATIONS	DESCRIPTION	DATE	CHANGER
A			新版本	2016-05-07	李国常



Part No	Dimensions (mm)	
	A	B
V2011R-2*02	2.00	6.00
V2011R-2*03	4.00	8.00
V2011R-2*04	6.00	10.00
V2011R-2*05	8.00	12.00
V2011R-2*06	10.00	14.00
V2011R-2*07	12.00	16.00
V2011R-2*08	14.00	18.00
V2011R-2*09	16.00	20.00
V2011R-2*10	18.00	22.00
V2011R-2*11	20.00	24.00
V2011R-2*12	22.00	26.00
V2011R-2*13	24.00	28.00
V2011R-2*14	26.00	30.00
V2011R-2*15	28.00	32.00
V2011R-2*16	30.00	34.00
V2011R-2*17	32.00	36.00
V2011R-2*18	34.00	38.00
V2011R-2*19	36.00	40.00
V2011R-2*20	38.00	42.00

- SPECIFICATIONS**
- Voltage rating: 250V AC, DC
 - Current rating: 3A, AC, DC
 - Withstanding Voltage: 800V AC/minute
 - Insulation resistance: 1000MΩ min
 - Temperature range: -40℃~+85℃
 - Contact resistance: 10MΩ max
- WAFER
- Part No: W2011R-2*NP
 - Poles: 04-40
 - Material: Nylon 66 UL94V-0
 - Pin Material: Brass /Tin-plated

KLT 深圳市康利通电子科技有限公司

TOLERANCE

0±0.30

.0±0.25

.00±0.20

.000±0.015

VER No SIZE

A A4

成品规格图

.0±0.25

TITLE

CHECKED BY

SCALE

DATE

2016-05-07

1:1

DRAWN BY

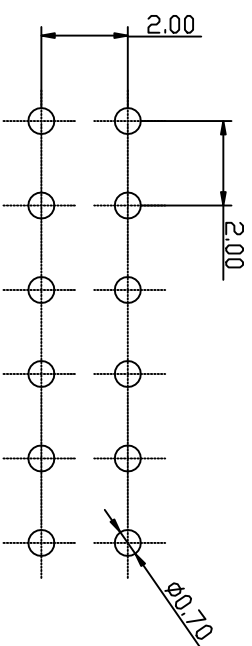
UNIT:mm



李国常

PART No

W2011R-2*NP



P.C.B LAYOUT

4

4

B

C

D

E

F

1