

B

C

E

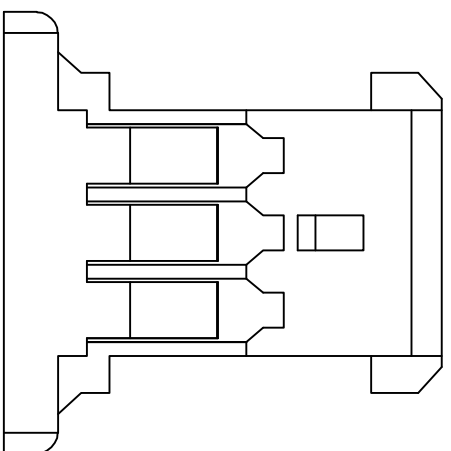
公差表

REV	ECN NO	LOCATIONS	DESCRIPTION	DATE	CHANGER
A			新版本	2016-04-26	李国常

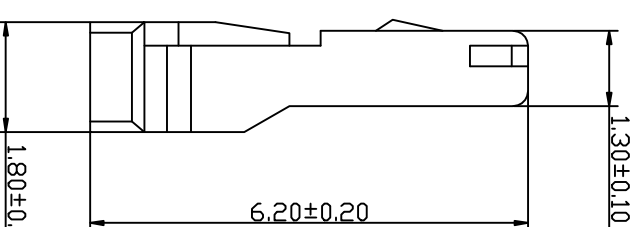
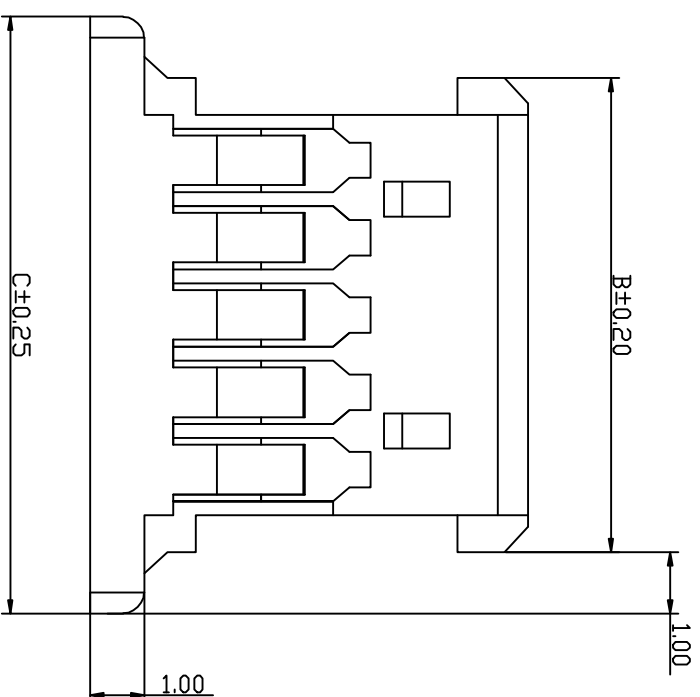
SPECIFICATIONS

- Voltage rating: 150V AC, DC
 - Current rating: 1A, AC, DC
 - Withstanding Voltage: 500V AC/minute
 - Insulation resistance: 500MΩ min
 - Temperature range: -40℃~+85℃
 - Contact resistance: 20MΩ max
- HOUSING
- Part No: H1254-NP
 - Poles: 02-30
 - Material: Nylon 66 UL94V-0

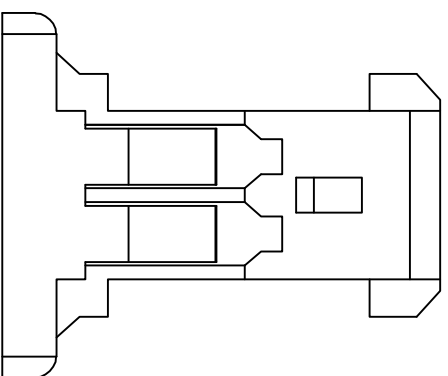
4



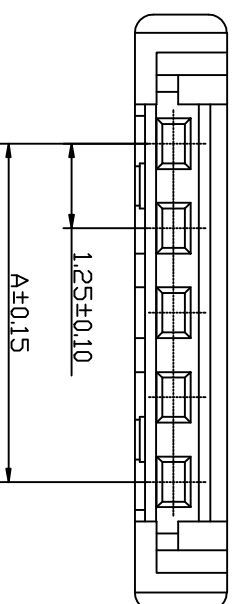
03P



Part No	Dimensions (mm)		
	A	B	C
H1254-02	1.25	2.72	5.72
H1254-03	2.50	3.97	6.97
H1254-04	3.75	5.22	8.22
H1254-05	5.00	6.47	9.47
H1254-06	6.25	7.72	10.72
H1254-07	7.50	8.97	11.97
H1254-08	8.75	10.22	13.22
H1254-09	10.00	11.47	14.47
H1254-10	11.25	12.72	15.72
H1254-11	12.50	13.97	16.97
H1254-12	13.75	15.22	18.22
H1254-14	16.25	17.72	20.72
H1254-15	17.50	18.97	21.97
H1254-20	23.75	25.22	28.22
H1254-30	36.25	37.72	40.72



02P



KLT 深圳市康利通电子科技有限公司

成品规格图

TOLERANCE

0±0.30

.0±0.25

.00±0.20

.000±0.015

1

TITLE	成品规格图		TOLERANCE	
CHECKED BY	DATE	SCALE	VER No	SIZE
	2016-04-26	1:1		

DRAWN BY	UNIT:mm		A	A4
----------	---------	--	---	----

李国常	PART NO	H1254-NP
-----	---------	----------

B

C

D

E

F

4

B

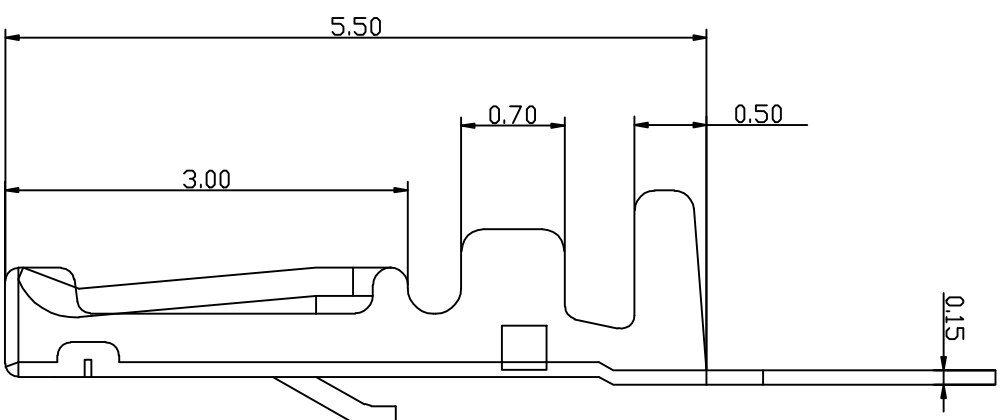
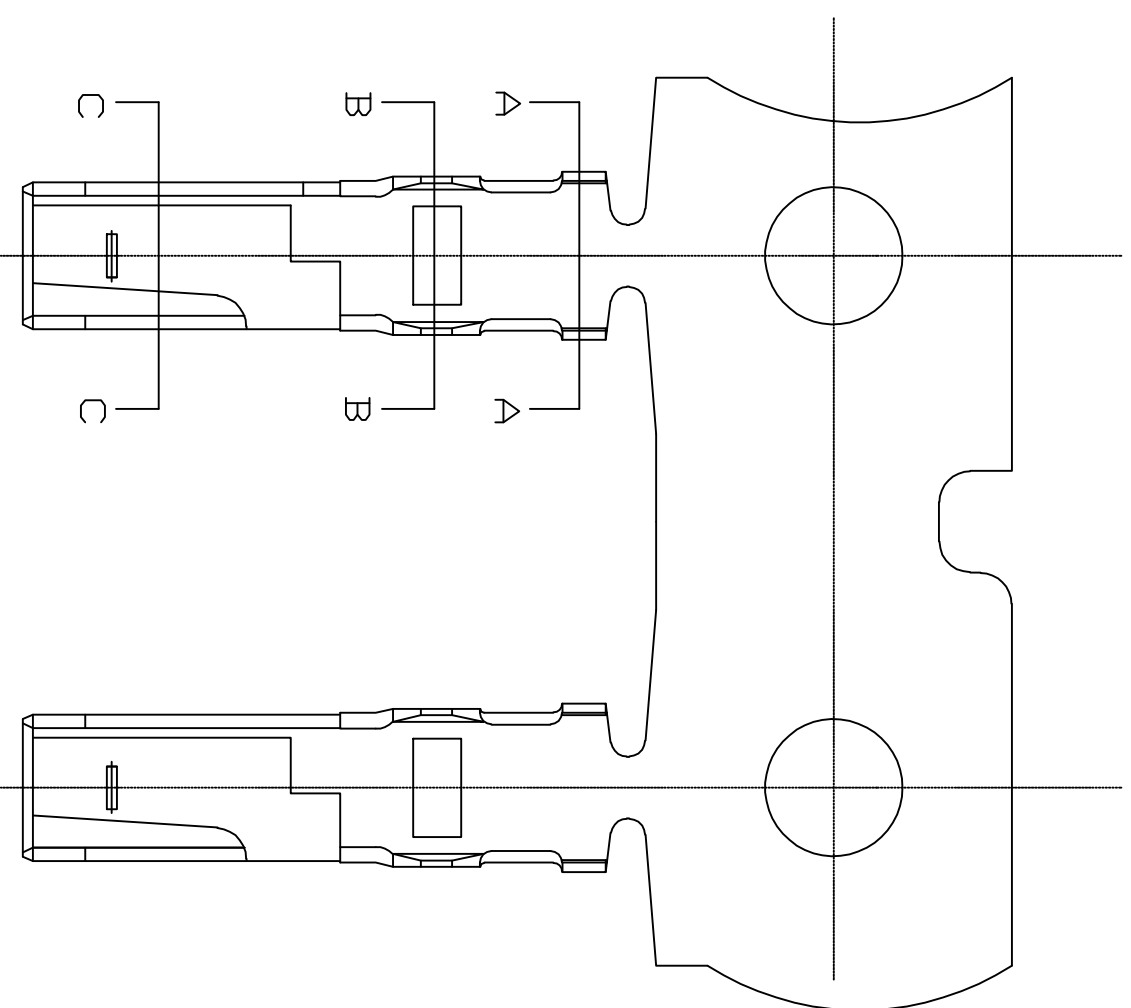
C

E

公差表

REV	ECN NO	LOCATIONS	DESCRIPTION	DATE	CHANGER
A			新版本	2016-04-26	李国常

4

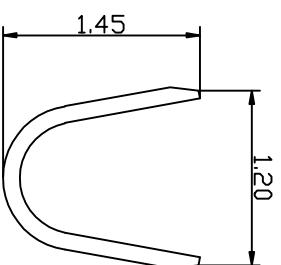


SPECIFICATIONS

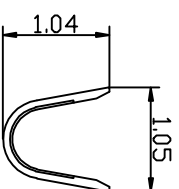
- Voltage rating: 125V AC,DC
- Current rating: 1A, AC, DC
- Withstanding Voltage: 500V AC/minute
- Insulation resistance: 100MΩ min
- Temperature range: -40℃~+85℃
- Contact resistance: 20MΩ max

TERMINAL

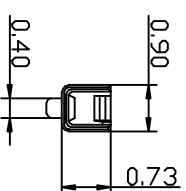
- Part No: T1254PG
- Applicable wire: AWG#28-#32
- Material: Phosphor Bronze
- Finish: Gold-flash



SEC: A-A



SEC: B-B



SEC: C-C

KLT 深圳市康利通电子科技有限公司

成品规格图

TOLERANCE

0±0.30

.0±0.-25

.00±0.20

.000±0.015

1

TITLE

成品规格图

CHECKED BY

DATE

SCALE

DRAWN BY

UNIT:mm

1:1

VER No

SIZE

李国常

PART No

T1254PG

A

A4

B

C

D

E

F

4

B

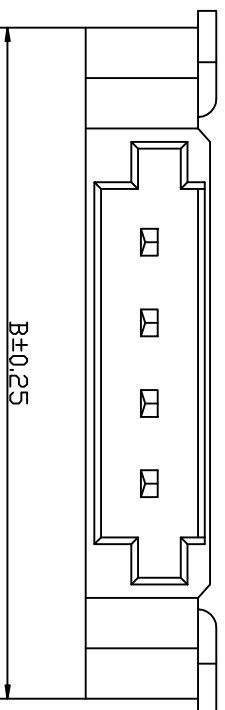
C

E

公差表

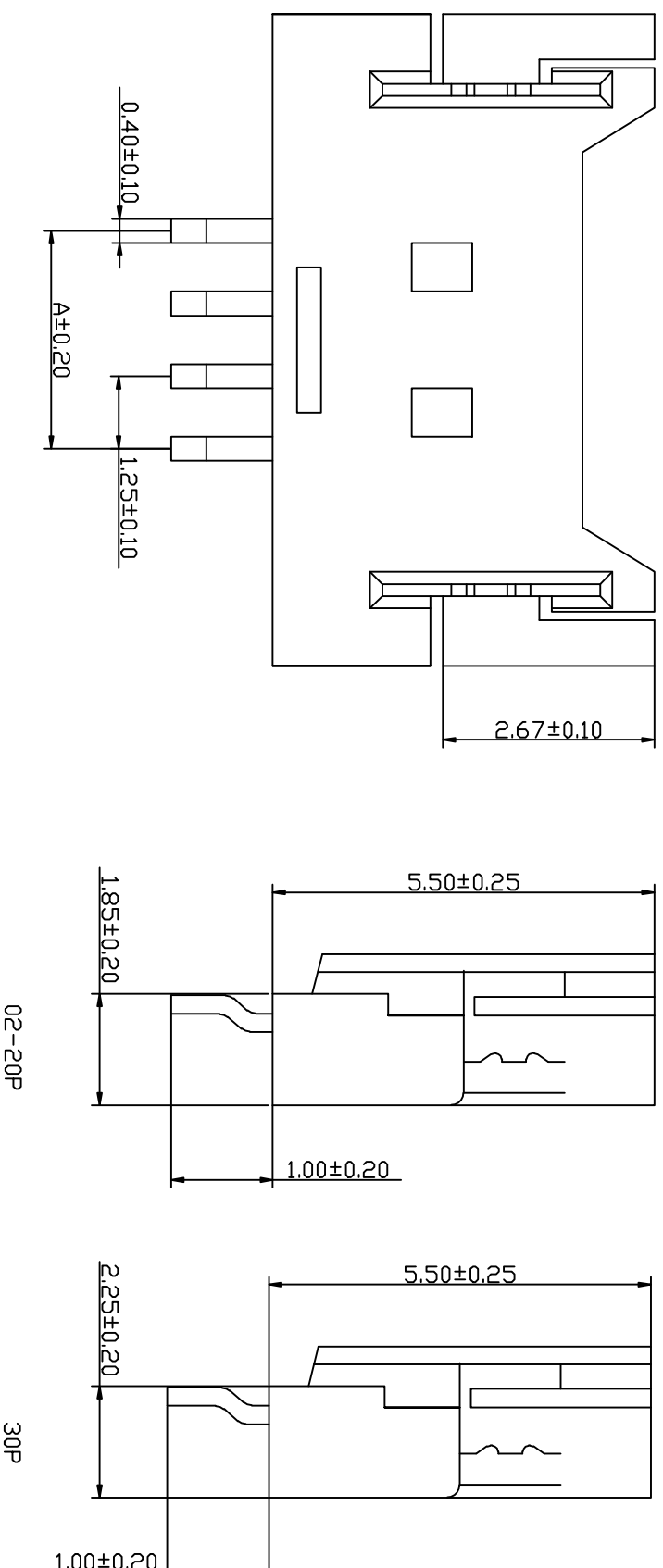
REV	ECN NO	LOCATIONS	DESCRIPTION	DATE	CHANGER
A			新版本	2016-04-26	李国常

4

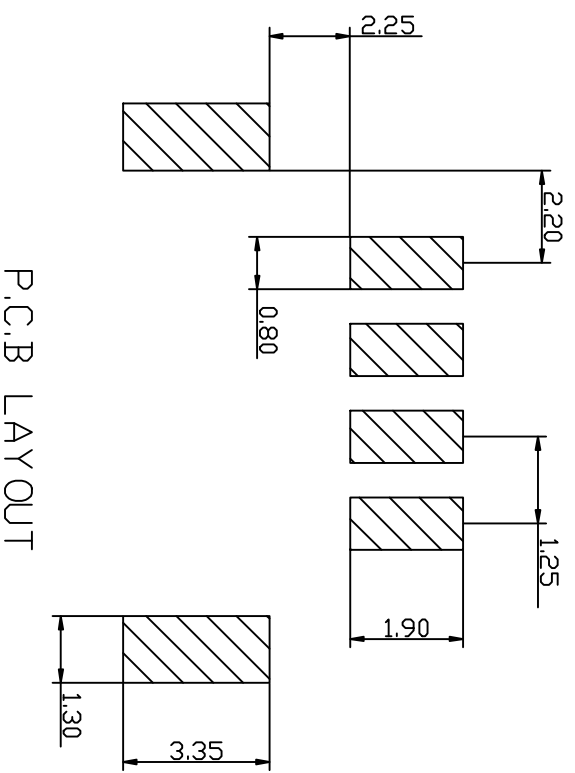


4

- SPECIFICATIONS**
- Voltage rating: 150V AC, DC
 - Current rating: 1A, AC, DC
 - Withstanding Voltage: 500V AC/minute
 - Insulation resistance: 500MΩ min
 - Temperature range: -40℃~+85℃
 - Contact resistance: 20MΩ max
- WAFER
- Part No: W1254SR-NP
 - Poles: 02-30
 - Material: Nylon 6T UL94V-0
 - Ter Material: Brass /Tin-plated



Part No	Dimensions (mm)	
	A	B
W1254SR-02	1.25	7.65
W1254SR-03	2.50	8.90
W1254SR-04	3.75	10.15
W1254SR-05	5.00	11.40
W1254SR-06	6.25	12.65
W1254SR-07	7.50	13.90
W1254SR-08	8.75	15.15
W1254SR-09	10.00	16.40
W1254SR-10	11.25	17.65
W1254SR-11	12.50	18.90
W1254SR-12	13.75	20.15
W1254SR-14	16.25	22.65
W1254SR-15	17.50	23.90
W1254SR-20	23.75	30.15
W1254SR-30	36.25	42.65



P.C.B LAYOUT

KLIT 深圳市康利通电子科技有限公司

成品规格图

TOLERANCE

0±0.30

.0±0.25

.00±0.20

.000±0.015

VER No SIZE

A A4

TITLE	成品规格图		TOLERANCE	
CHECKED BY	DATE	SCALE	VER No	SIZE
DRAWN BY	UNIT:mm	1:1	A	A4
李国常	2016-04-26			
PART No	W1254SR-NP			

B

C

D

E

F

1