

B

C

E

公差表

REV	ECN NO	LOCATIONS	DESCRIPTION	DATE	CHANGER
A			新版本	2016-06-12	李国常

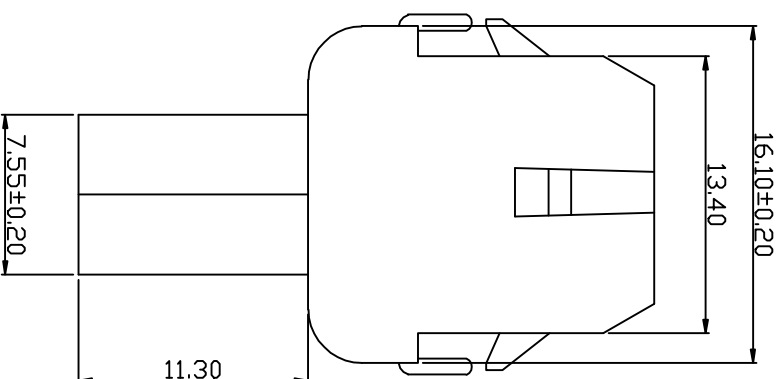
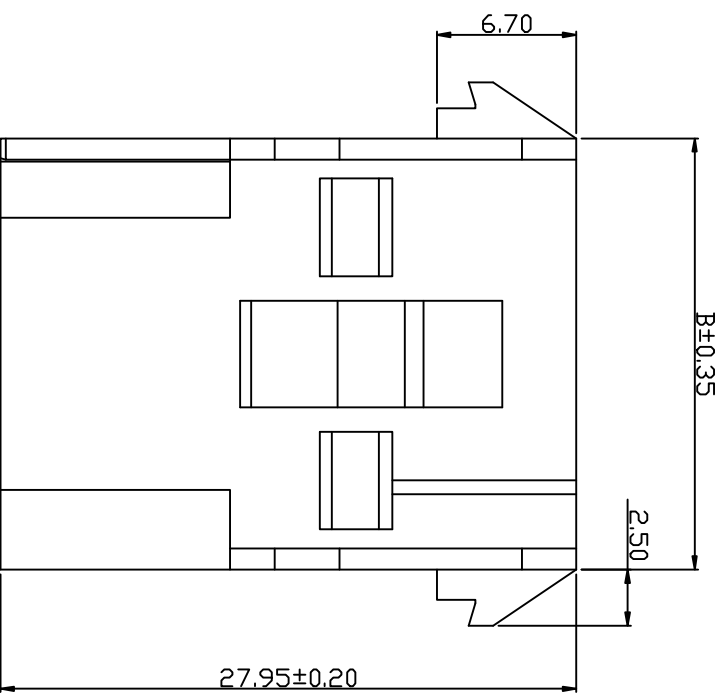
SPECIFICATIONS

- Voltage rating: 600V AC, DC
- Current rating: 15A, AC, DC
- Withstanding Voltage: 5000V AC/minute
- Insulation resistance: 1000MΩ min
- Temperature range: -40℃~+105℃
- Contact resistance: 3.5MΩ max

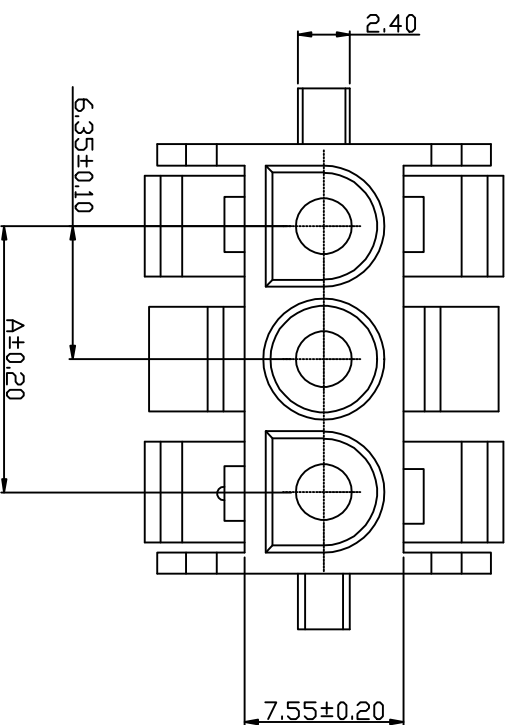
HOUSING

- Part No: H6352-NP
- Poles: 02-08
- Material: Nylon 66 UL94V-0

4



Part No	Dimensions (mm)	
	A	B
H6352-02	6.35	13.97
H6352-03	12.70	20.32
H6352-04	19.05	26.67
H6352-05	25.40	33.02
H6352-06	31.75	39.37
H6352-08	44.45	52.07



KLT 深圳市康利通电子科技有限公司

成品规格图

TOLERANCE

0±0.30

.0±0.25

.00±0.20

.000±0.015

TITLE	成品规格图		TOLERANCE	
CHECKED BY	DATE	SCALE	VER No	SIZE
	2016-06-12	1:1	A	A4
DRAWN BY	UNIT:mm			
李国常	PART NO	H6352-NP		

1

4

B

C

D

E

F

B

C

E

公差表

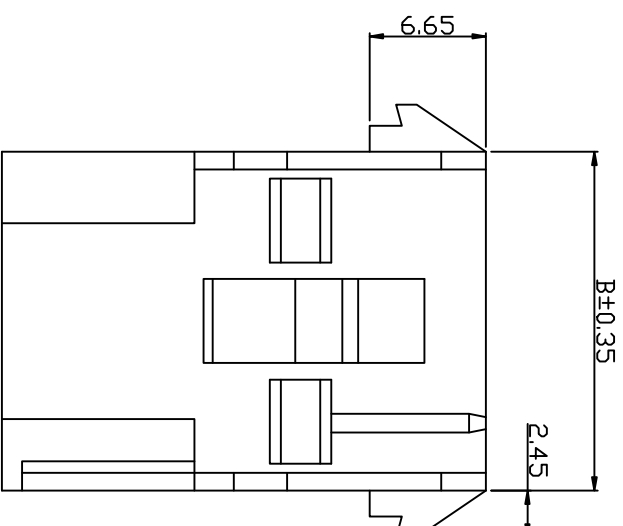
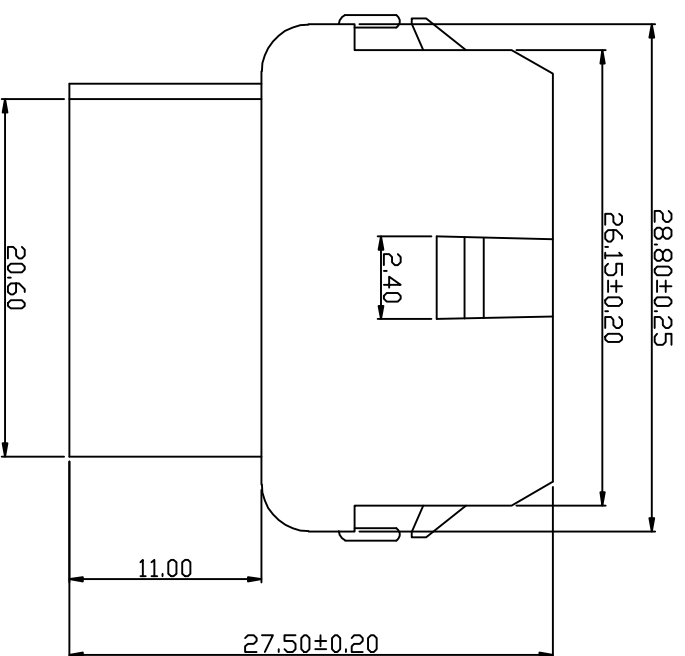
REV	ECN NO	LOCATIONS	DESCRIPTION	DATE	CHANGER
A			新版本	2016-06-12	李国常

SPECIFICATIONS

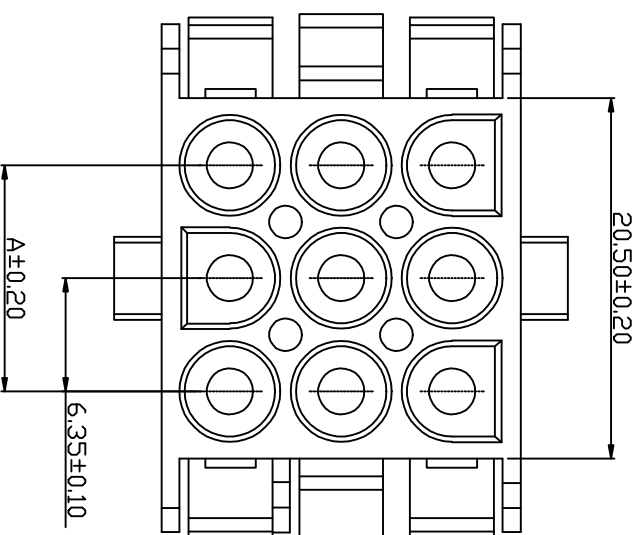
- Voltage rating: 600V AC, DC
- Current rating: 15A, AC, DC
- Withstanding Voltage: 5000V AC/minute
- Insulation resistance: 1000MΩ min
- Temperature range: -40℃~+105℃
- Contact resistance: 3.5MΩ max

HOUSING

- Part No: H6352-3*NP
- Poles: 06-15
- Material: Nylon 66 UL94V-0



Part No	Dimensions (mm)	
	A	B
H6352-3*02	6.35	14.05
H6352-3*03	12.70	20.40
H6352-3*04	19.05	26.75
H6352-3*05	25.40	33.10



4

4

KLT 深圳市康利通电子科技有限公司

成品规格图

TOLERANCE

0±0.30

.0±0.25

.00±0.20

.000±0.015

1

TITLE	成品规格图		TOLERANCE	
CHECKED BY	DATE	SCALE	VER No	SIZE
	2016-06-12	1:1		

DRAWN BY	UNIT:mm		A	A4
----------	---------	--	---	----

李国常	PART No	H6352-3*NP
-----	---------	------------

B

C

D

E

F

B

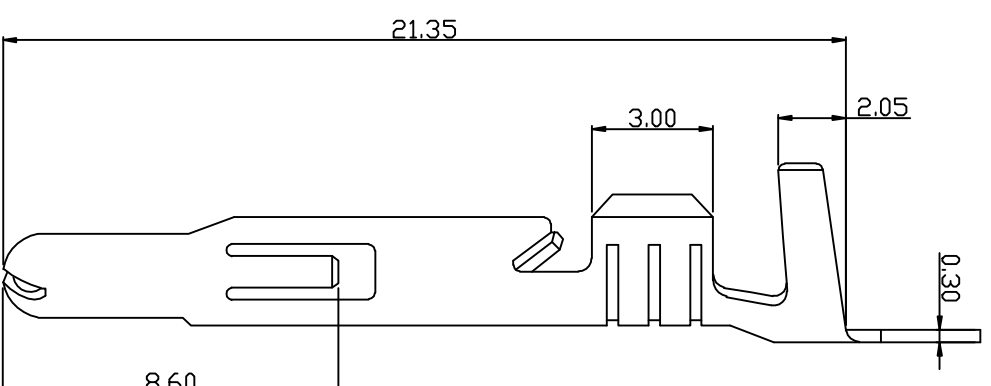
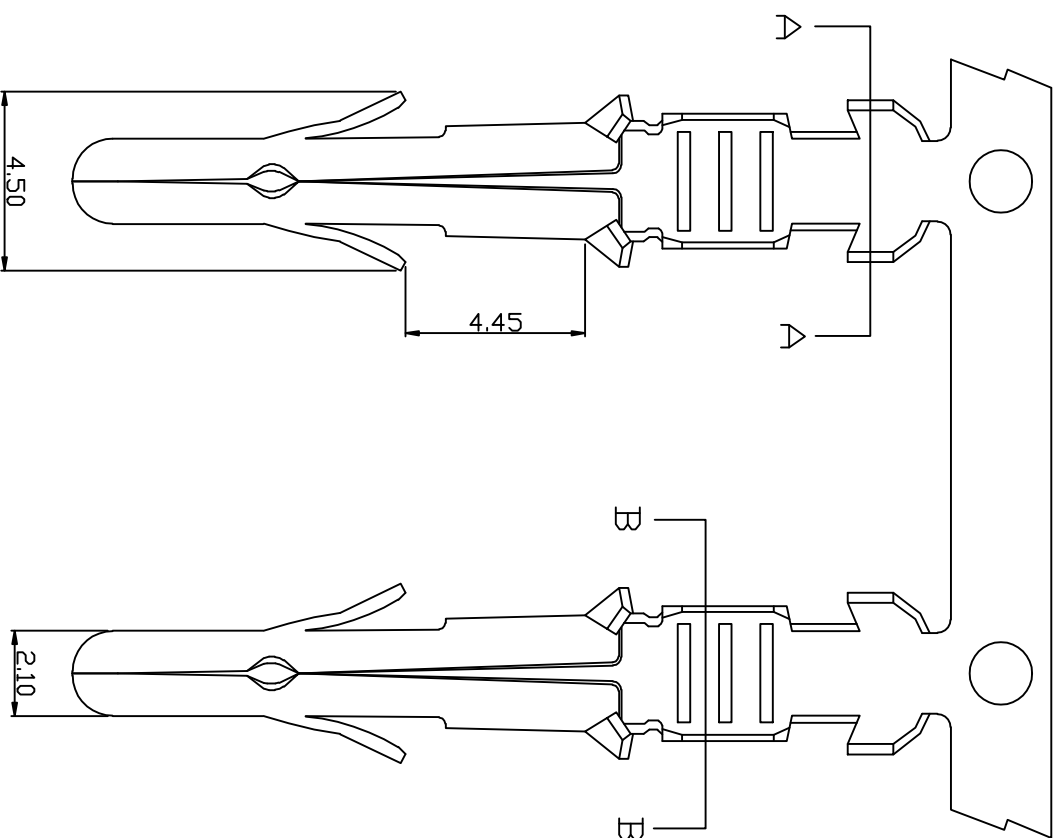
C

E

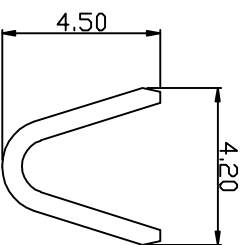
公差表

REV	ECN NO	LOCATIONS	DESCRIPTION	DATE	CHANGER
A			新版本	2016-06-12	李国常

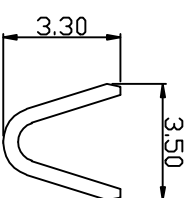
4



- SPECIFICATIONS**
- Voltage rating: 250V AC, DC
 - Current rating: 10A, AC, DC
 - Withstanding Voltage: 1500V AC/minute
 - Insulation resistance: 1000MΩ min
 - Temperature range: -40℃~+85℃
 - Contact resistance: 10MΩ max
- TERMINAL**
- Part No: T6351BT
 - Applicable wire: AWG#14-#20
 - Material: Brass
 - Finish: Tin plated



SEC: A-A



SEC: B-B

KLT 深圳市康利通电子科技有限公司

TITLE

成品规格图

TOCERANCE

0±0.30

.0±0.25

.00±0.20

.000±0.015

1

CHECKED BY	DATE	SCALE	VER No	SIZE
	2016-06-12	1:1		

DRAWN BY	UNIT:mm	TERMINAL	UNIT:mm	TERMINAL
李国常				

PART No	TERMINAL
T6351BT	

B

C

D

E

F

4