

B

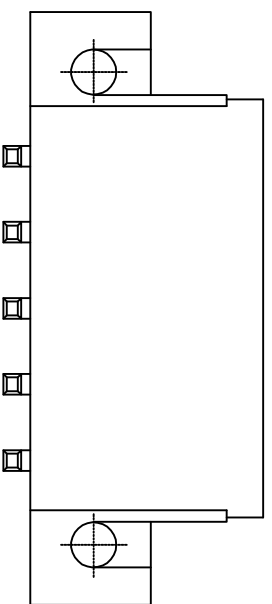
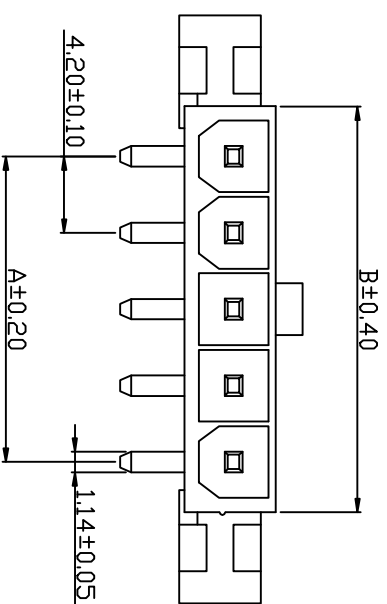
C

E

公差表

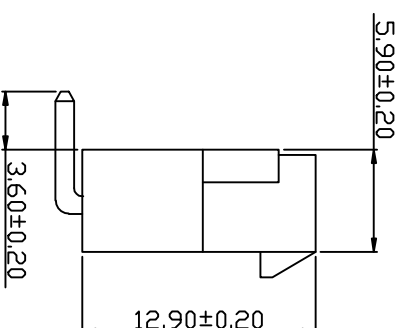
REV	ECN NO	LOCATIONS	DESCRIPTION	DATE	CHANGER
A			新版本	2016-06-02	李国常

4

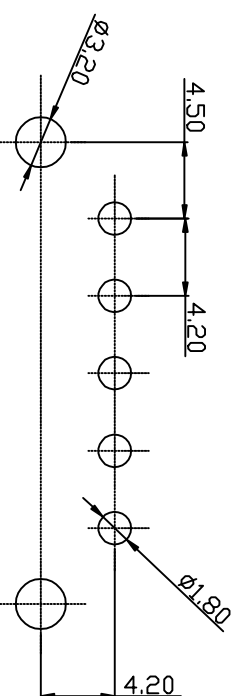


- SPECIFICATIONS**
- Voltage rating: 250V AC, DC
 - Current rating: 7A, AC, DC
 - Withstanding Voltage: 1500V AC/minute
 - Insulation resistance: 1000MΩ min
 - Temperature range: -40℃~+85℃
 - Contact resistance: 10MΩ max
- WAFER
- Part No: W4202RL-NP
 - Poles: 02-12
 - Material: Nylon 66 UL94V-2
 - Pin Material: Brass /Tin-plated

4



Part No	Dimensions (mm)	
	A	B
W4202RL-02	4.20	9.80
W4202RL-03	8.40	14.00
W4202RL-04	12.60	18.20
W4202RL-05	16.80	22.40
W4202RL-06	21.00	26.60
W4202RL-07	25.20	30.80
W4202RL-08	29.40	35.00
W4202RL-09	33.60	39.20
W4202RL-10	37.80	43.40
W4202RL-11	42.00	47.60
W4202RL-12	46.20	51.80



P.C.B LAYOUT

B

C

D

E

F

KLT 深圳市康利通电子科技有限公司

成品规格图

TOLERANCE

0±0.30

.0±0.25

.00±0.20

.000±0.015

TITLE	成品规格图		TOLERANCE	
CHECKED BY	DATE	SCALE	VER No	SIZE
	2016-06-02	1:1	A	A4

DRAWN BY	UNIT:mm	VER No		SIZE
李国常		A	A4	

PART NO	W4202RL-NP		
---------	------------	--	--

1