

B

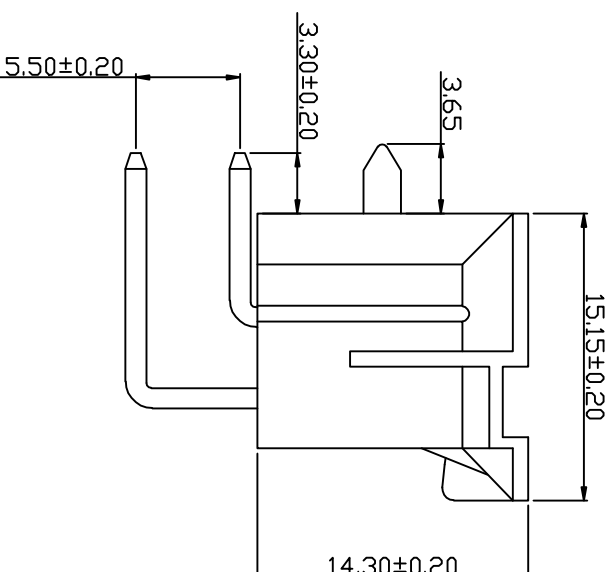
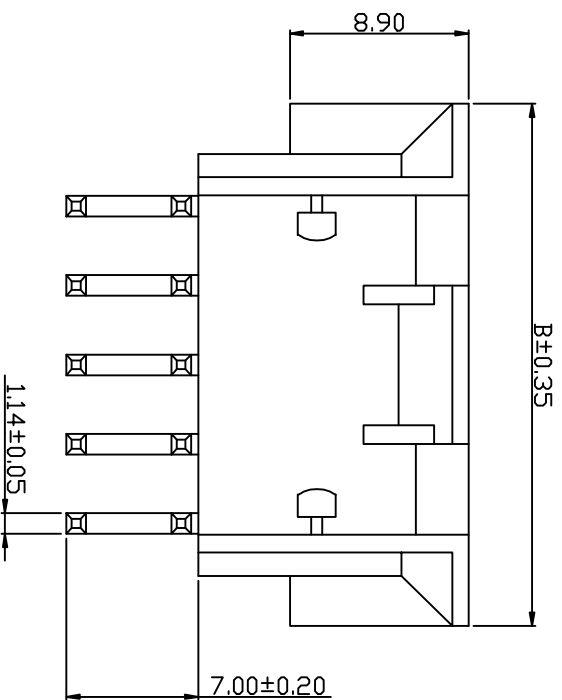
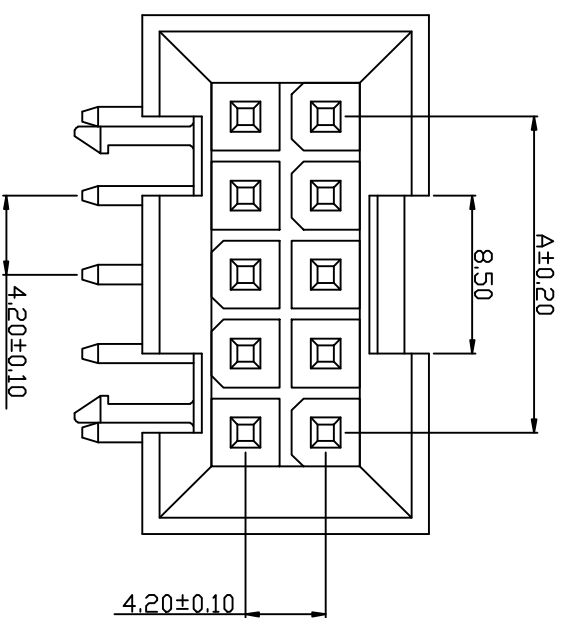
C

E

公差表

REV	ECN NO	LOCATIONS	DESCRIPTION	DATE	CHANGER
A			新版本	2016-06-02	李国常

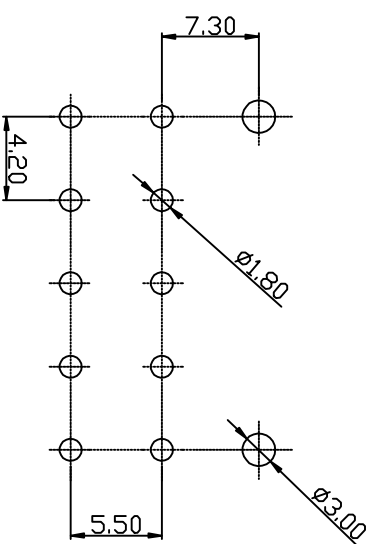
4



Part No	Dimensions (mm)	
	A	B
W4202LRD-2*02	4.20	15.00
W4202LRD-2*03	8.40	19.20
W4202LRD-2*05	16.80	27.60
W4202LRD-2*07	25.20	36.00
W4202LRD-2*08	29.40	40.20
W4202LRD-2*09	33.60	44.40
W4202LRD-2*12	46.20	57.00
W4202LRD-2*18	71.40	82.20

- SPECIFICATIONS**
- Voltage rating: 250V AC, DC
 - Current rating: 7A, AC, DC
 - Withstanding Voltage: 1500V AC/minute
 - Insulation resistance: 1000MΩ min
 - Temperature range: -40℃~+85℃
 - Contact resistance: 10MΩ max
- WAFER**
- Part No: W4202LRD-2*NP
 - Poles: 04-36
 - Material: Nylon 66 UL94V-2
 - Pin Material: Brass /Tin-plated

4



PCB LAYOUT:Component Side
Recommended PCB Thickness 1.78MMAX

KLT 深圳市康利通电子科技有限公司

成品规格图

TOLERANCE

0±0.30

.0±0.25

.00±0.20

.000±0.015

TITLE	成品规格图		SCALE	1:1	VER No	SIZE
CHECKED BY	DATE	2016-06-02	SCALE	1:1	VER No	SIZE
DRAWN BY	UNIT:mm				A	A4
李国常	PART NO	W4202LRD-2*NP				

B

C

D

E

F

1