

B

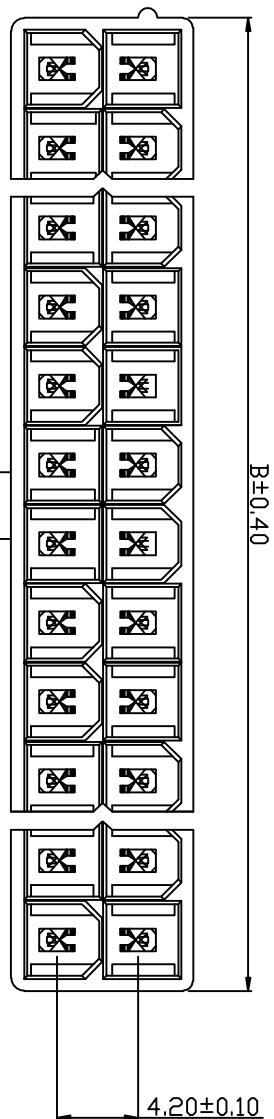
C

E

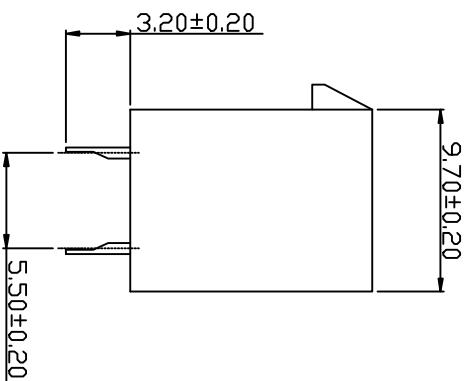
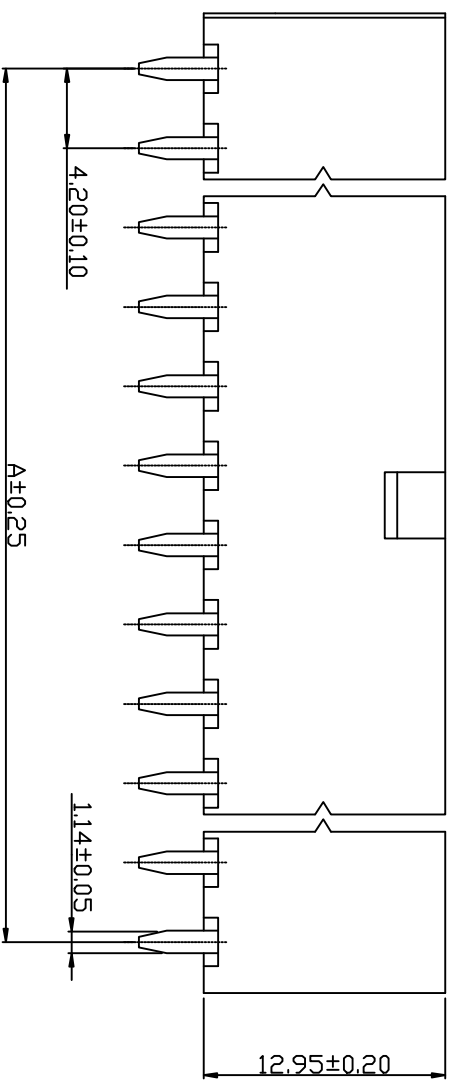
公差表

REV	ECN NO	LOCATIONS	DESCRIPTION	DATE	CHANGER
A			新版本	2016-06-03	李国常

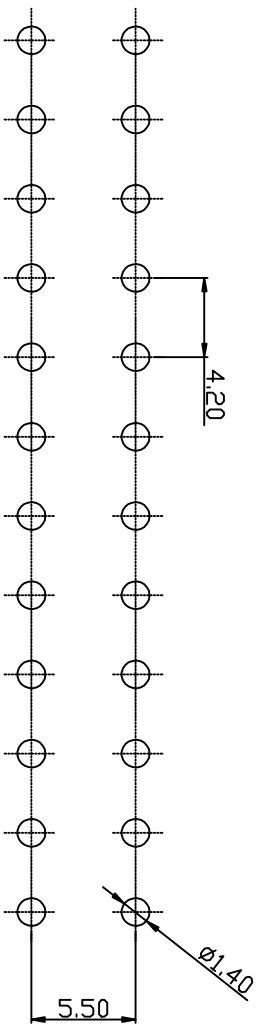
4



4



Part No	Dimensions (mm)	
	A	B
W4202VT-2*01	—	5.60
W4202VT-2*02	4.20	9.80
W4202VT-2*03	8.40	14.00
W4202VT-2*04	12.60	18.20
W4202VT-2*05	16.80	22.40
W4202VT-2*06	21.00	26.60
W4202VT-2*07	25.20	30.80
W4202VT-2*08	29.40	35.00
W4202VT-2*09	33.60	39.20
W4202VT-2*10	37.80	43.40
W4202VT-2*11	42.00	47.60
W4202VT-2*12	46.20	51.80



P.C.B LAYOUT

KLT 深圳市康利通电子科技有限公司

TOLERANCE

0±0.30

.0±0.25

.00±0.20

.000±0.015

VER No SIZE

A A4

TITLE	成品规格图		TOLERANCE	
CHECKED BY	DATE	SCALE	VER No	SIZE
DRAWN BY	UNIT:mm	1:1	A	A4
李国常	2016-06-03			
PART No	W4202VT-2*NP			

B

C

D

E

F

1

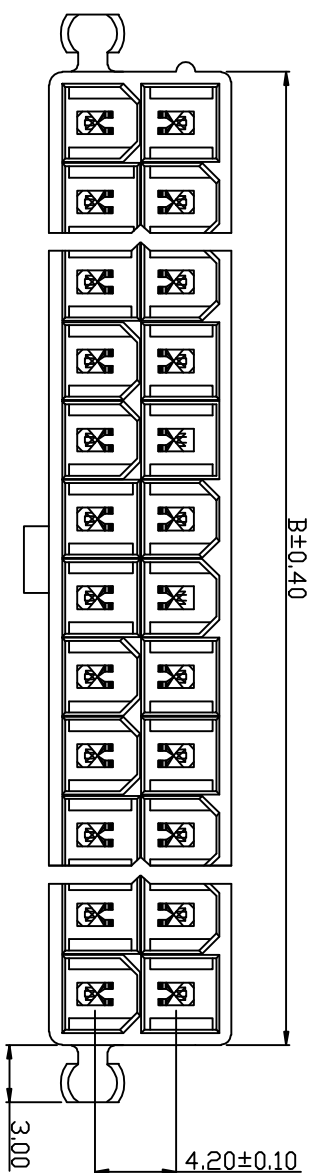
B

C

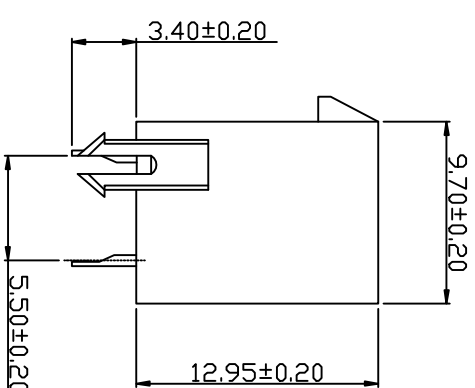
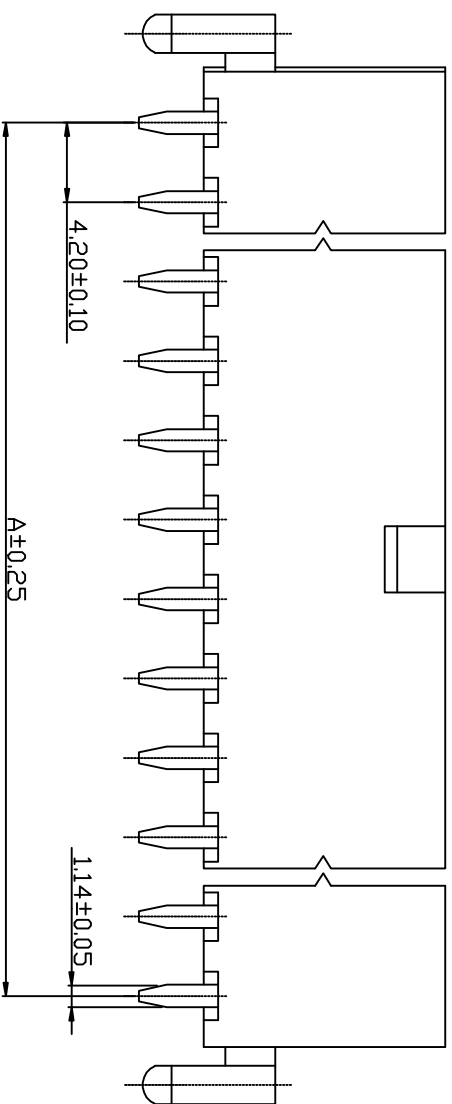
E

公差表

REV	ECN NO	LOCATIONS	DESCRIPTION	DATE	CHANGER
A			新版本	2016-06-03	李国常



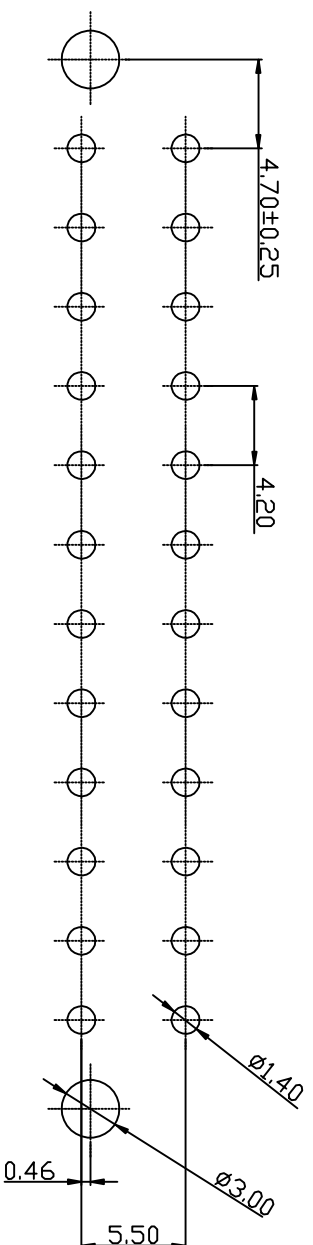
4



Part No	Dimensions (mm)	
	A	B
W4202VTD-2*01	—	5.60
W4202VTD-2*02	4.20	9.80
W4202VTD-2*03	8.40	14.00
W4202VTD-2*04	12.60	18.20
W4202VTD-2*05	16.80	22.40
W4202VTD-2*06	21.00	26.60
W4202VTD-2*07	25.20	30.80
W4202VTD-2*08	29.40	35.00
W4202VTD-2*09	33.60	39.20
W4202VTD-2*10	37.80	43.40
W4202VTD-2*11	42.00	47.60
W4202VTD-2*12	46.20	51.80

- SPECIFICATIONS**
- Voltage rating: 250V AC, DC
 - Current rating: 7A, AC, DC
 - Withstanding Voltage: 1500V AC/minute
 - Insulation resistance: 1000MΩ min
 - Temperature range: -40℃~+85℃
 - Contact resistance: 10MΩ max
- WAFER**
- Part No: W4202VTD-2*NP
 - Poles: 02-24
 - Material: Nylon 66 UL94V-2
 - Pin Material: Brass /Tin-plated

4



P.C.B LAYOUT

B

C

D

E

F

KLIT 深圳市康利通电子科技有限公司

成品规格图

TOLERANCE

0±0.30

.0±0.25

.00±0.20

.000±0.015

1

TITLE	成品规格图		TOLERANCE	
CHECKED BY	DATE	SCALE	VER No	SIZE
DRAWN BY	UNIT:mm	1:1	A	A4
李国常	2016-06-03			
PART No	W4202VTD-2*NP			