

B

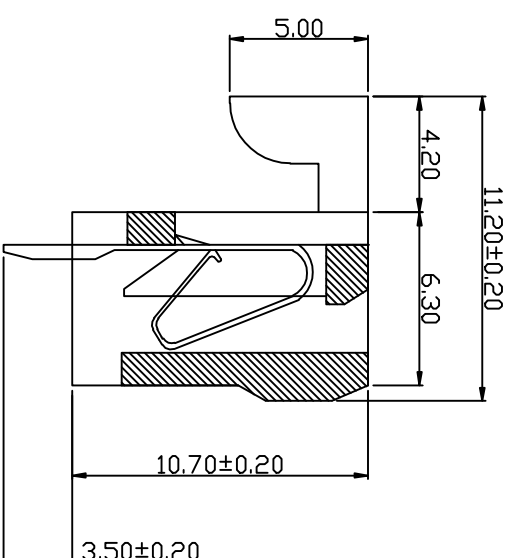
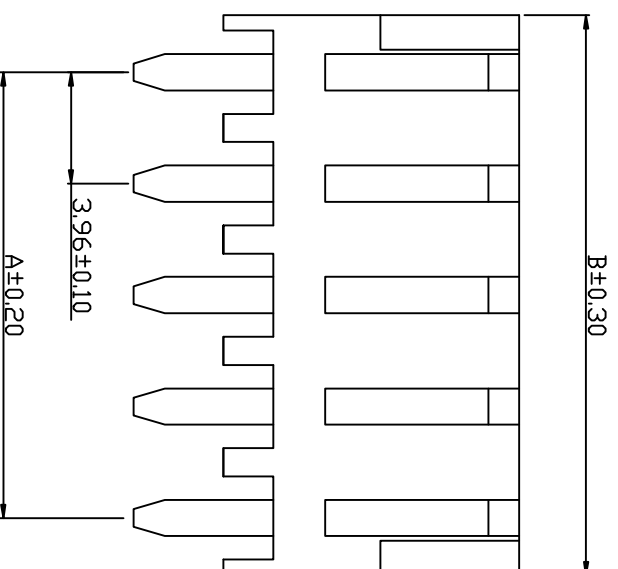
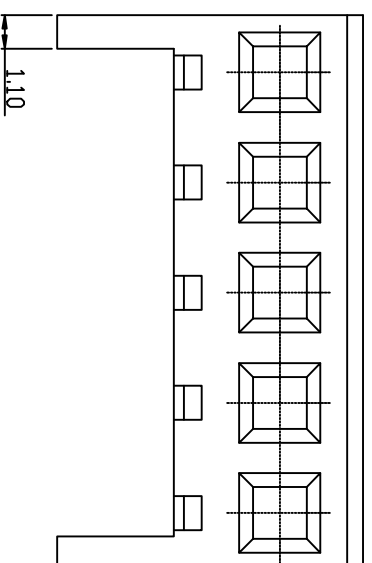
C

E

公差表

REV	ECN NO	LOCATIONS	DESCRIPTION	DATE	CHANGER
A			新版本	2016-05-31	李国常

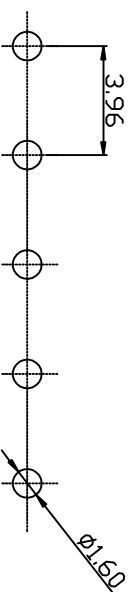
4



Part No	Dimensions (mm)	
	A	B
W3964V-02	3.96	7.98
W3964V-03	7.92	11.94
W3964V-04	11.88	15.90
W3964V-05	15.84	19.86
W3964V-06	19.80	23.82
W3964V-07	23.76	27.78
W3964V-08	27.72	31.74
W3964V-09	31.68	35.70
W3964V-10	35.64	39.66
W3964V-11	39.60	43.62
W3964V-12	43.56	47.58
W3964V-13	47.52	51.54
W3964V-14	51.48	55.50
W3964V-15	55.44	59.46
W3964V-16	59.40	63.42

- SPECIFICATIONS**
- Voltage rating: 250V AC, DC
 - Current rating: 5A, AC, DC
 - Withstanding Voltage: 1500V AC/minute
 - Insulation resistance: 1000MΩ min
 - Temperature range: -40°C~+85°C
 - Contact resistance: 10MΩ max
- WAFER
- Part No: W3964V-NP
 - Poles: 02-16
 - Material: Nylon 66 UL94V-2
 - Pin Material: Brass /Tin-plated

4



P.C.B LAYOUT

KLT 深圳市康利通电子科技有限公司

成品规格图

TOLERANCE

0±0.30

.0±0.25

.00±0.20

.000±0.015

1

TITLE	DATE	SCALE	VER No	SIZE
CHECKED BY	2016-05-31	1:1	A	A4
DRAWN BY	UNIT:mm			
DRAWN BY	PART No			
李国常	W3964V-NP			

B

C

D

E

F

B

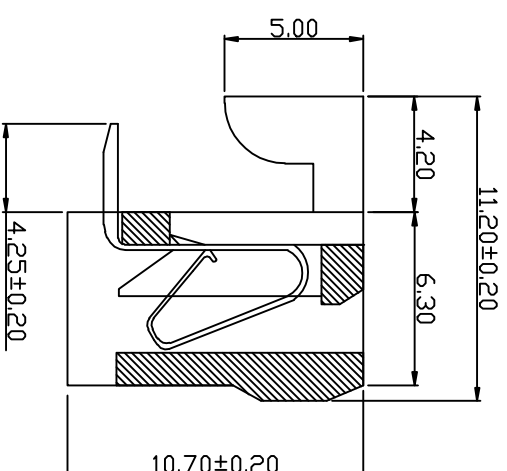
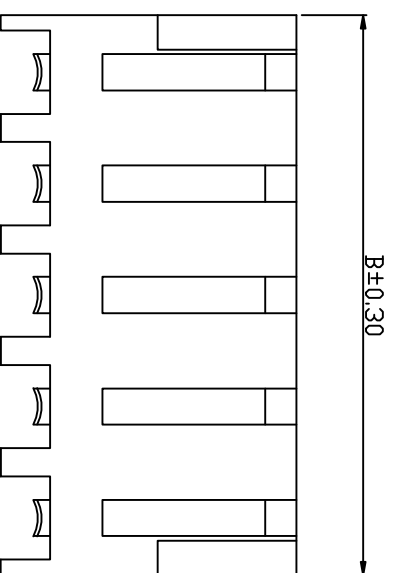
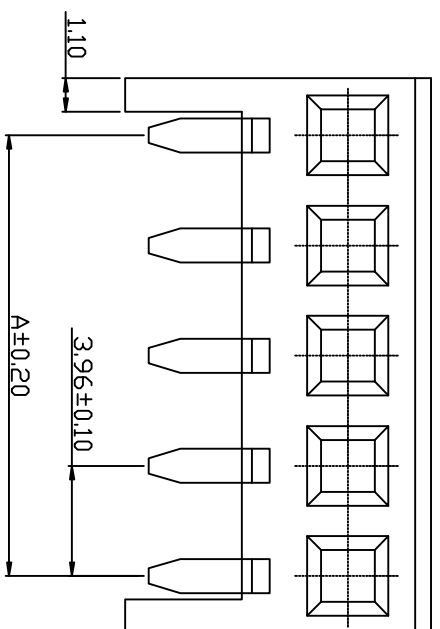
C

E

公差表

REV	ECN NO	LOCATIONS	DESCRIPTION	DATE	CHANGER
A			新版本	2016-05-31	李国常

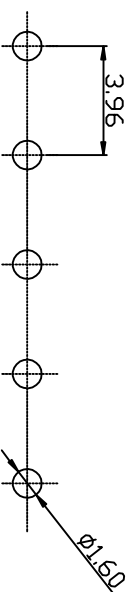
4



Part No	Dimensions (mm)	
	A	B
W3964R-02	3.96	7.98
W3964R-03	7.92	11.94
W3964R-04	11.88	15.90
W3964R-05	15.84	19.86
W3964R-06	19.80	23.82
W3964R-07	23.76	27.78
W3964R-08	27.72	31.74
W3964R-09	31.68	35.70
W3964R-10	35.64	39.66
W3964R-11	39.60	43.62
W3964R-12	43.56	47.58
W3964R-13	47.52	51.54
W3964R-14	51.48	55.50
W3964R-15	55.44	59.46
W3964R-16	59.40	63.42

- SPECIFICATIONS**
- Voltage rating: 250V AC, DC
 - Current rating: 5A, AC, DC
 - Withstanding Voltage: 1500V AC/minute
 - Insulation resistance: 1000MΩ min
 - Temperature range: -40℃~+85℃
 - Contact resistance: 10MΩ max
- WAFER**
- Part No: W3964R-NP
 - Poles: 02-16
 - Material: Nylon 66 UL94V-2
 - Pin Material: Brass /Tin-plated

4



P.C.B LAYOUT

KLT 深圳市康利通电子科技有限公司

TOLERANCE

0±0.30

.0±0.25

.00±0.20

.000±0.015

TITLE	成品规格图	
CHECKED BY	DATE	SCALE
DRAWN BY	UNIT:mm	VER No
PART No	SIZE	SIZE

李国常

2016-05-31

1:1

W3964R-NP

B

C

D

E

F

1

B

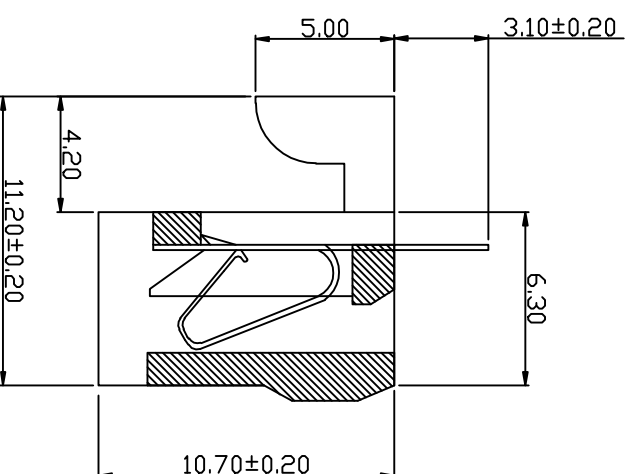
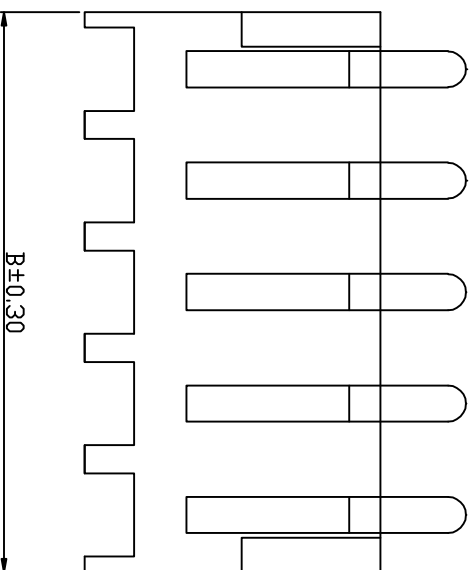
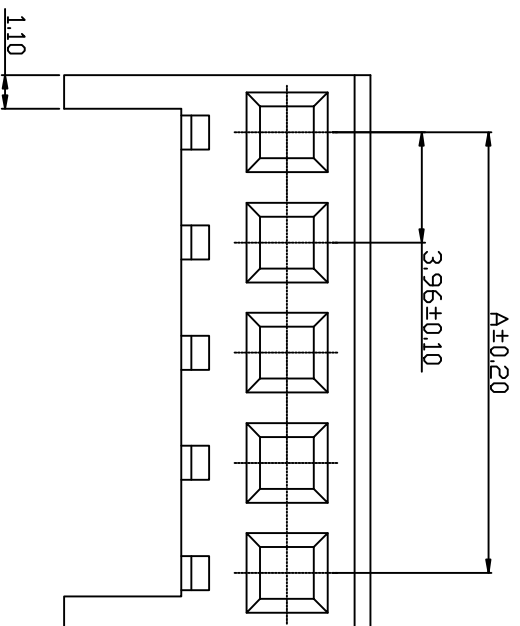
C

E

公差表

REV	ECN NO	LOCATIONS	DESCRIPTION	DATE	CHANGER
A			新版本	2016-05-31	李国常

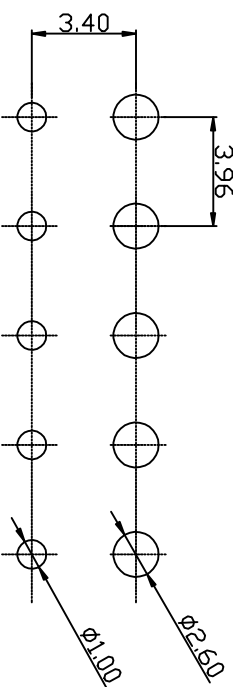
4



Part No	Dimensions (mm)	
	A	B
W3964VF-02	3.96	7.98
W3964VF-03	7.92	11.94
W3964VF-04	11.88	15.90
W3964VF-05	15.84	19.86
W3964VF-06	19.80	23.82
W3964VF-07	23.76	27.78
W3964VF-08	27.72	31.74
W3964VF-09	31.68	35.70
W3964VF-10	35.64	39.66
W3964VF-11	39.60	43.62
W3964VF-12	43.56	47.58
W3964VF-13	47.52	51.54
W3964VF-14	51.48	55.50
W3964VF-15	55.44	59.46
W3964VF-16	59.40	63.42

- SPECIFICATIONS**
- Voltage rating: 250V AC, DC
 - Current rating: 5A, AC, DC
 - Withstanding Voltage: 1500V AC/minute
 - Insulation resistance: 1000MΩ min
 - Temperature range: -40℃~+85℃
 - Contact resistance: 10MΩ max
- WAFER
- Part No: W3964VF-NP
 - Poles: 02-16
 - Material: Nylon 66 UL94V-2
 - Pin Material: Brass /Tin-plated

4



P.C.B LAYOUT

KLT 深圳市康利通电子科技有限公司

成品规格图

TOLERANCE

0±0.30

.0±0.25

.00±0.20

.000±0.015

1

TITLE	成品规格图		TOLERANCE	
CHECKED BY	DATE	SCALE	VER No	SIZE
DRAWN BY	UNIT:mm	1:1	A	A4
李国常	2016-05-31			
PART No	W3964VF-NP			

B

C

D

E

F