

B

C

E

公差表

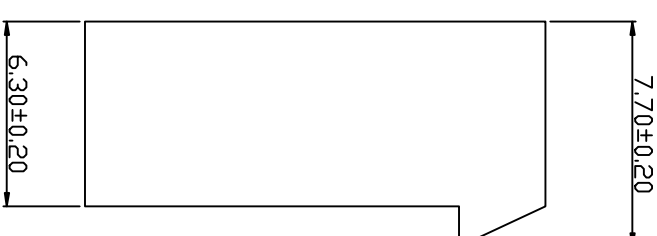
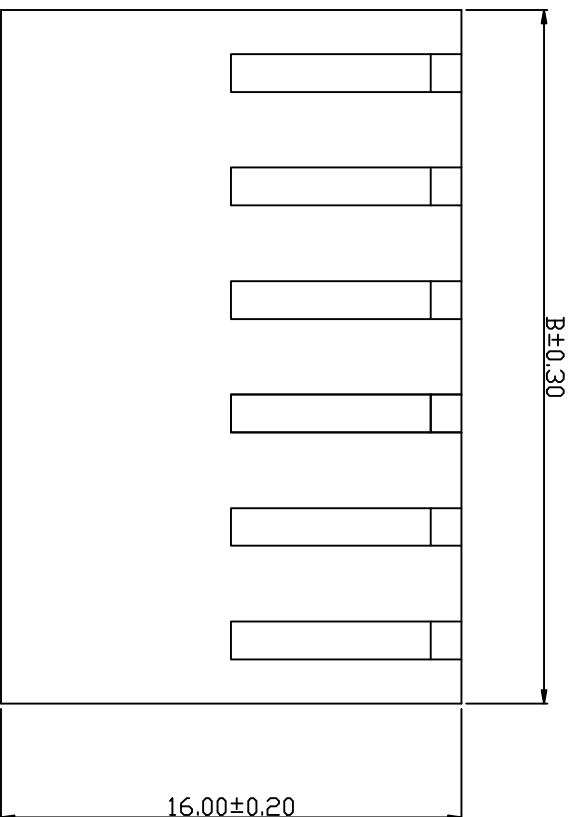
REV	ECN NO	LOCATIONS	DESCRIPTION	DATE	CHANGER
A			新版本	2016-06-01	李国常

■ SPECIFICATIONS

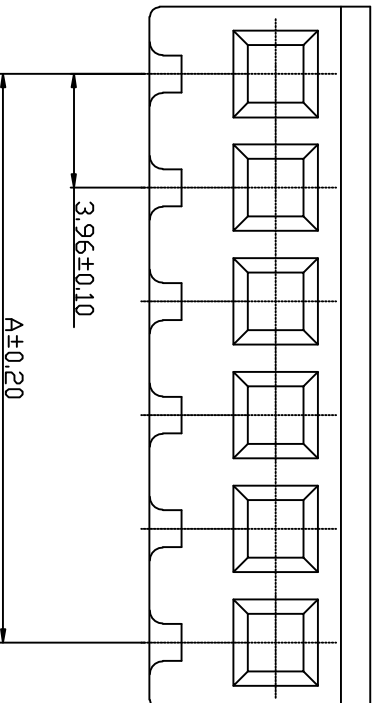
- Voltage rating: 250V AC, DC
- Current rating: 7A, AC, DC
- Withstanding Voltage: 1500V AC/minute
- Insulation resistance: 1000MΩ min
- Temperature range: -40℃~+105℃
- Contact resistance: 10MΩ max

■ HOUSING

- Part No: H3962-NP
- Poles: 02-20
- Material: Nylon 66 UL94V-2



Part No	Dimensions (mm)	
	A	B
H3962-02	3.96	8.43
H3962-03	7.92	12.39
H3962-04	11.88	16.35
H3962-05	15.84	20.31
H3962-06	19.80	24.27
H3962-07	23.76	28.23
H3962-08	27.72	32.19
H3962-09	31.68	36.15
H3962-10	35.64	40.11
H3962-11	39.60	44.07
H3962-12	43.56	48.03
H3962-13	47.52	51.99
H3962-14	51.48	55.95
H3962-15	55.44	59.91
H3962-16	59.40	63.87
H3962-17	63.36	67.83
H3962-18	67.32	71.79
H3962-19	71.28	75.24
H3962-20	75.24	79.71



KLT 深圳市康利通电子科技有限公司

成品规格图

TOLERANCE

0±0.30

.0±0.25

.00±0.20

.000±0.015

TITLE	成品规格图		TOLERANCE	
CHECKED BY	DATE	SCALE	VER No	SIZE
	2016-06-01	1:1	A	A4
DRAWN BY	UNIT:mm			
李国常		PART No	H3962-NP	

4

4

B

C

D

E

F

1

B

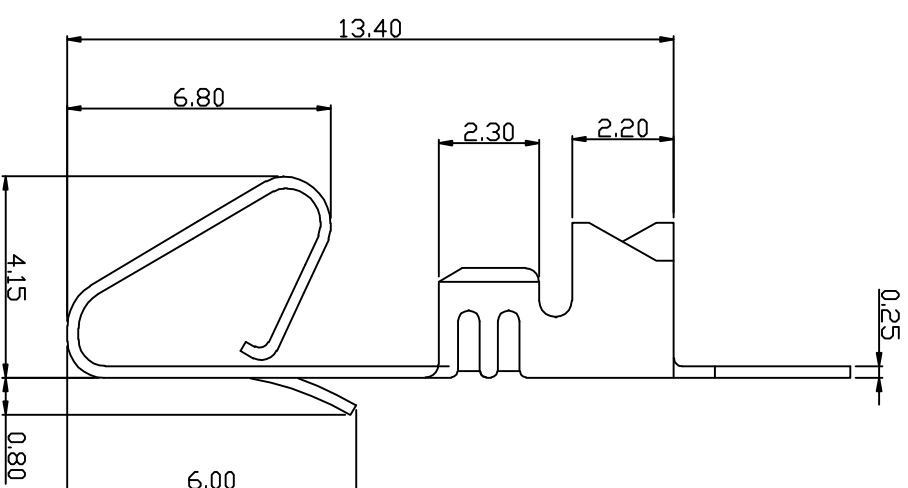
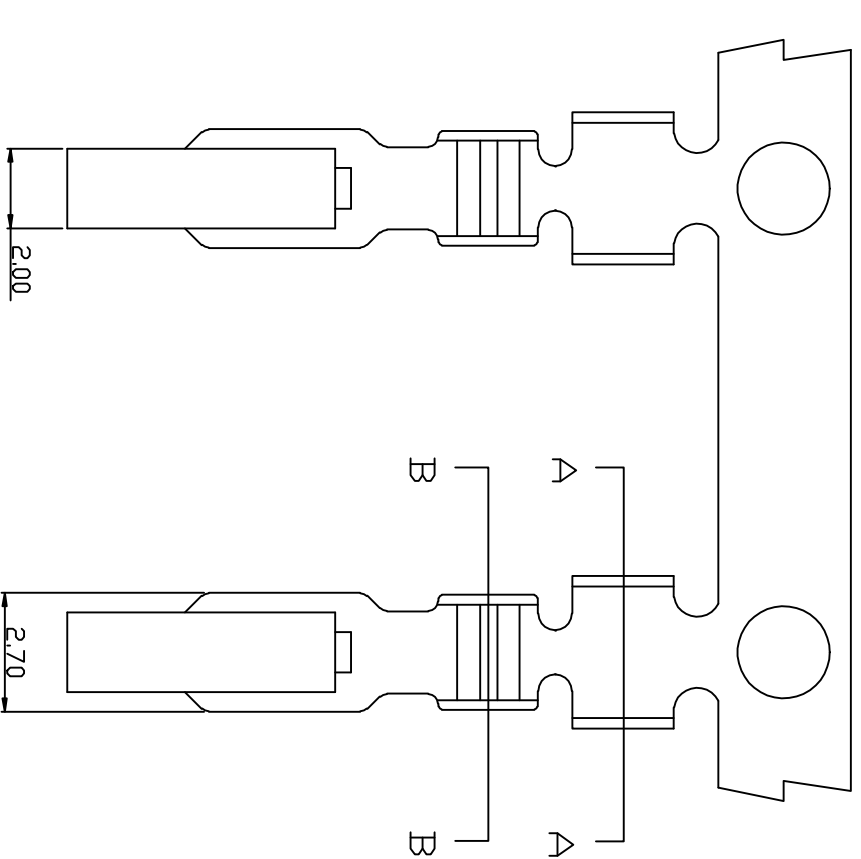
C

E

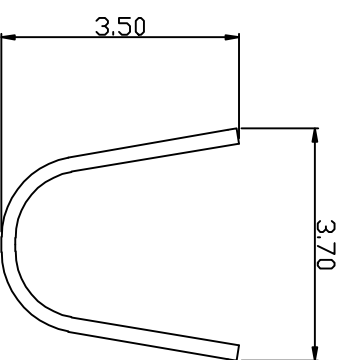
公差表

REV	ECN NO	LOCATIONS	DESCRIPTION	DATE	CHANGER
A			新版本	2016-06-01	李国常

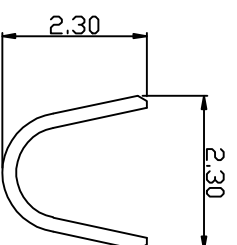
4



- SPECIFICATIONS**
- Voltage rating: 250V AC, DC
 - Current rating: 7A, AC, DC
 - Withstanding Voltage: 1500V AC/minute
 - Insulation resistance: 1000MΩ min
 - Temperature range: -40℃~+85℃
 - Contact resistance: 10MΩ max
- TERMINAL**
- Part No: T3962PT
 - Applicable wire: AWG#18-#24
 - Material: Phosphor Bronze
 - Finish: Tin plated



SEC: A-A



SEC: B-B

KLT 深圳市康利通电子科技有限公司

成品规格图

Tolerance

0±0.30

.0±0.25

.00±0.20

.000±0.015

1

TITLE	DATE	SCALE	VER No	SIZE
CHECKED BY	2016-06-01	1:1		

DRAWN BY	UNIT:mm		A	A4
李国常	PART No	T3962PT		

B

C

D

E

F

4

B

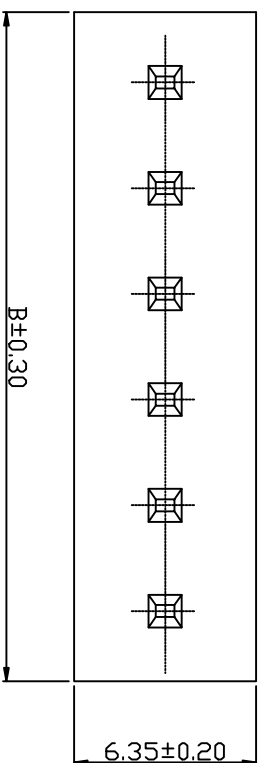
C

E

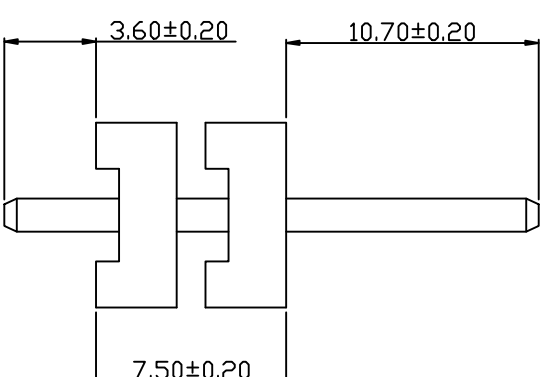
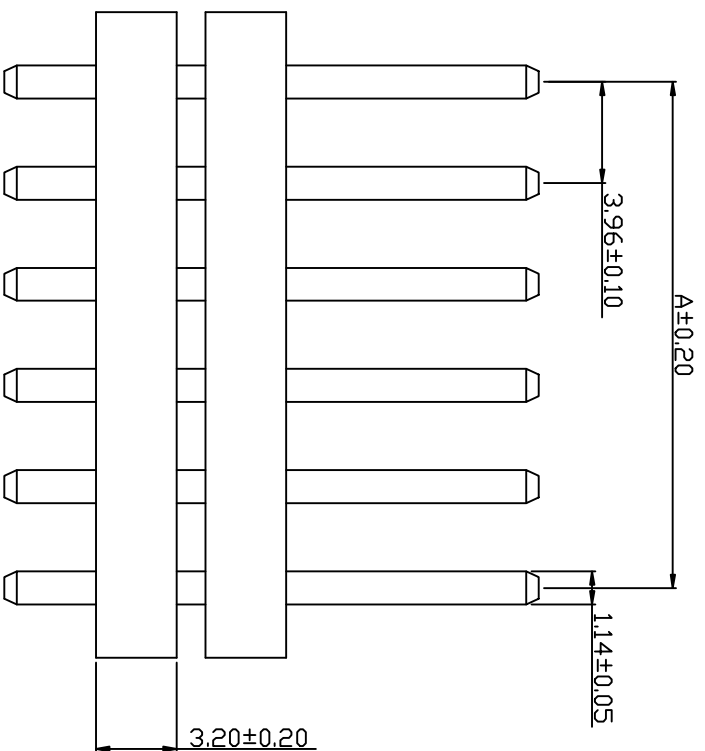
公差表

REV	ECN NO	LOCATIONS	DESCRIPTION	DATE	CHANGER
A			新版本	2016-06-01	李国常

4

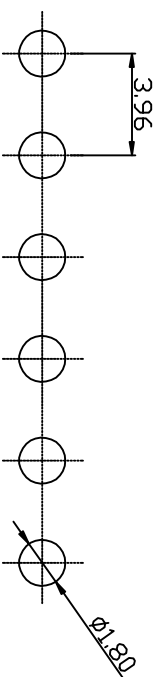


4



Part No	Dimensions (mm)	
	A	B
W3962DKV-02	396	792
W3962DKV-03	792	1188
W3962DKV-04	1188	1584
W3962DKV-05	1584	1980
W3962DKV-06	1980	2376
W3962DKV-07	2376	2772
W3962DKV-08	2772	3168
W3962DKV-09	3168	3564
W3962DKV-10	3564	3960
W3962DKV-11	3960	4356
W3962DKV-12	4356	4752
W3962DKV-13	4752	5148
W3962DKV-14	5148	5544
W3962DKV-15	5544	5940
W3962DKV-16	5940	6336
W3962DKV-17	6336	6732
W3962DKV-18	6732	7128
W3962DKV-19	7128	7524
W3962DKV-20	7524	7920

- SPECIFICATIONS**
- Voltage rating: 250V AC, DC
 - Current rating: 7A, AC, DC
 - Withstanding Voltage: 1500V AC/minute
 - Insulation resistance: 1000MΩ min
 - Temperature range: -40℃~+85℃
 - Contact resistance: 10MΩ max
- WAFER
- Part No: W3962DKV-NP
 - Poles: 02-20
 - Material: Nylon 66 UL94V-0
 - Pin Material: Brass /Tin-plated



P.C.B LAYOUT

KLIT 深圳市康利通电子科技有限公司

TOLERANCE

0±0.30

.0±0.25

.00±0.20

.000±0.015

1

成品规格图

TITLE	成品规格图		TOLERANCE	
CHECKED BY	DATE	SCALE	VER No	SIZE
	2016-06-01	1:1	A	A4

DRAWN BY	UNIT:mm	PART No		W3962DKV-NP
李国常				

B

C

D

E

F

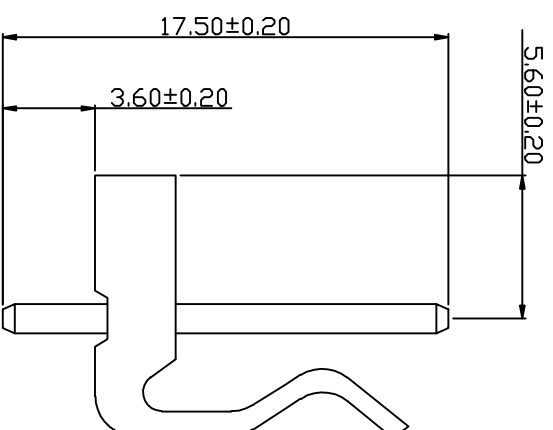
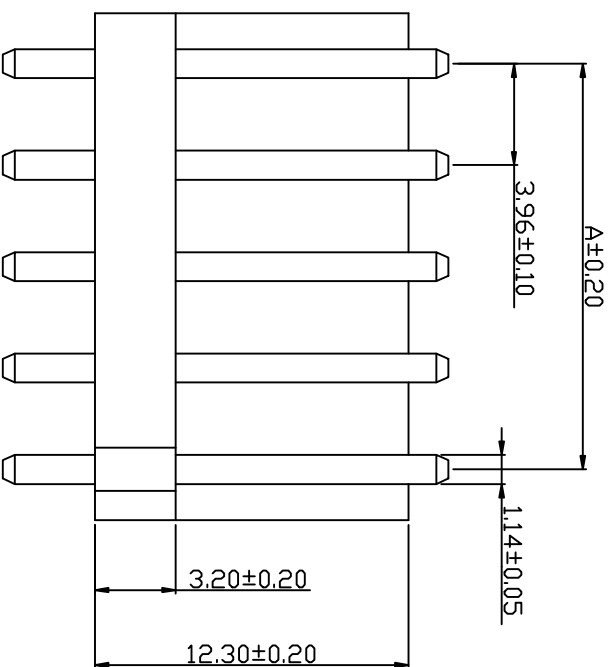
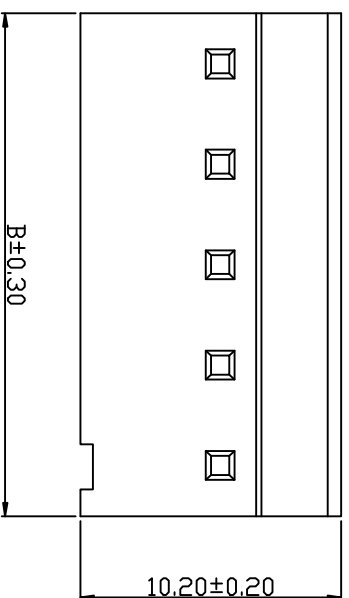
B

C

E

公差表

REV	ECN NO	LOCATIONS	DESCRIPTION	DATE	CHANGER
A			新版本	2016-06-01	李国常

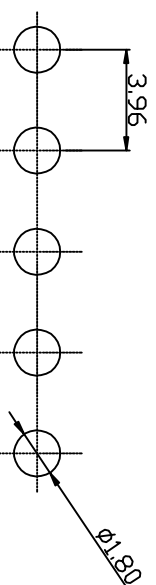


Part No	Dimensions (mm)	
	A	B
V3962V-02	396	792
V3962V-03	792	1188
V3962V-04	1188	1584
V3962V-05	1584	1980
V3962V-06	1980	2376
V3962V-07	2376	2772
V3962V-08	2772	3168
V3962V-09	3168	3564
V3962V-10	3564	3960
V3962V-11	3960	4356
V3962V-12	4356	4752
V3962V-13	4752	5148
V3962V-14	5148	5544
V3962V-15	5544	5940
V3962V-16	5940	6336
V3962V-17	6336	6732
V3962V-18	6732	7128
V3962V-19	7128	7524
V3962V-20	7524	7920

- SPECIFICATIONS**
- Voltage rating: 250V AC, DC
 - Current rating: 7A, AC, DC
 - Withstanding Voltage: 1500V AC/minute
 - Insulation resistance: 1000MΩ min
 - Temperature range: -40℃~+85℃
 - Contact resistance: 10MΩ max
- WAFER
- Part No: W3962V-NP
 - Poles: 02-20
 - Material: Nylon 66 UL94V-0
 - Pin Material: Brass /Tin-plated

4

4



P.C.B LAYOUT

KLT 深圳市康利通电子科技有限公司

成品规格图

TOLERANCE

0±0.30

.0±0.25

.00±0.20

.000±0.015

1

TITLE

CHECKED BY

DATE

SCALE

DRAWN BY

UNIT:mm

1:1

VER No

PART No

UNIT:mm

1:1

SIZE

李国常

UNIT:mm

1:1

SIZE

A4

W3962V-NP

B

C

D

E

F

B

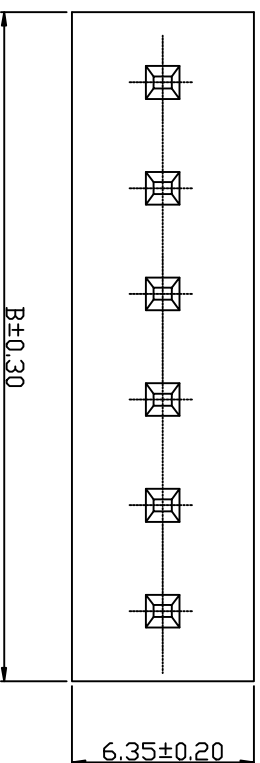
C

E

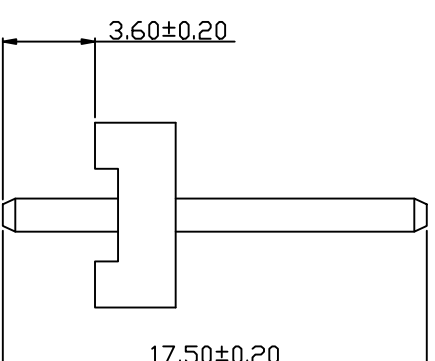
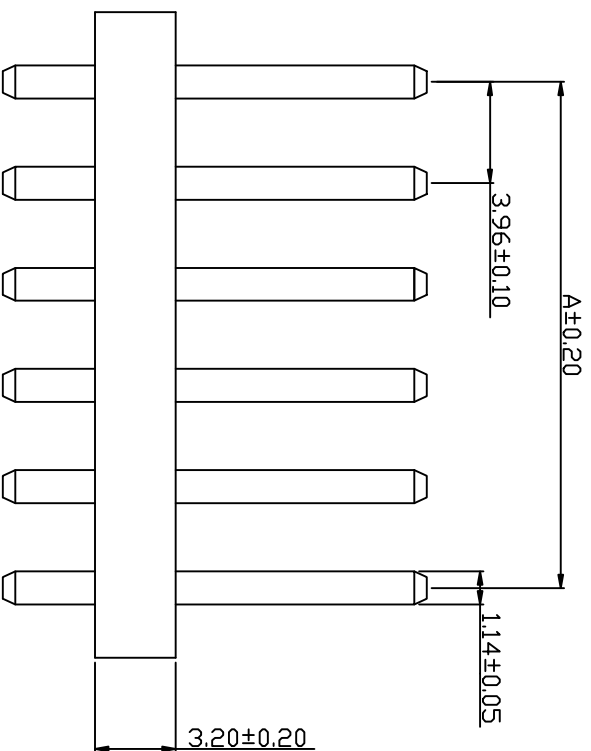
公差表

REV	ECN NO	LOCATIONS	DESCRIPTION	DATE	CHANGER
A			新版本	2016-06-01	李国常

4



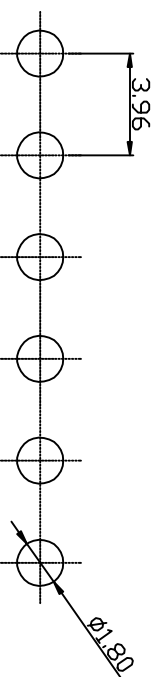
4



Part No	Dimensions (mm)	
	A	B
W3962KV-02	396	792
W3962KV-03	792	1188
W3962KV-04	1188	1584
W3962KV-05	1584	1980
W3962KV-06	1980	2376
W3962KV-07	2376	2772
W3962KV-08	2772	3168
W3962KV-09	3168	3564
W3962KV-10	3564	3960
W3962KV-11	3960	4356
W3962KV-12	4356	4752
W3962KV-13	4752	5148
W3962KV-14	5148	5544
W3962KV-15	5544	5940
W3962KV-16	5940	6336
W3962KV-17	6336	6732
W3962KV-18	6732	7128
W3962KV-19	7128	7524
W3962KV-20	7524	7920

SPECIFICATIONS

- Voltage rating: 250V AC, DC
 - Current rating: 7A, AC, DC
 - Withstanding Voltage: 1500V AC/minute
 - Insulation resistance: 1000MΩ min
 - Temperature range: -40°C~+85°C
 - Contact resistance: 10MΩ max
- WAFER
- Part No: W3962KV-NP
 - Poles: 02-20
 - Material: Nylon 66 UL94V-0
 - Pin Material: Brass /Tin-plated



P.C.B LAYOUT

KLIT 深圳市康利通电子科技有限公司

TOLERANCE

0±0.30

.0±0.25

.00±0.20

.000±0.015

VER No SIZE

A A4

TITLE	成品规格图	
CHECKED BY	DATE	SCALE
	2016-06-01	1:1
DRAWN BY	UNIT:mm	
李国常	PART No	W3962KV-NP

B

C

D

E

F

1

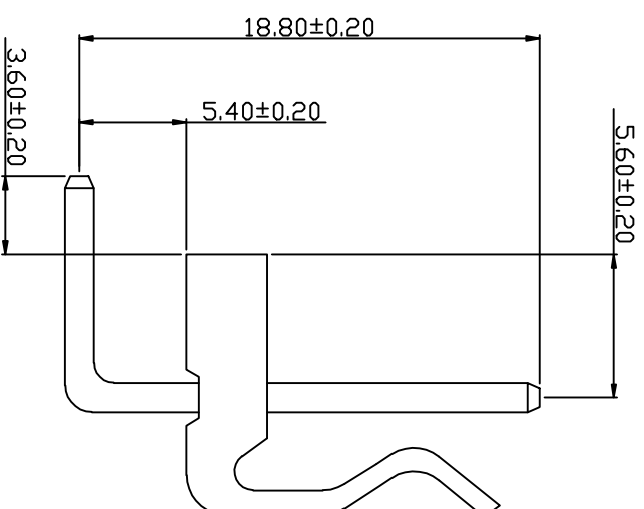
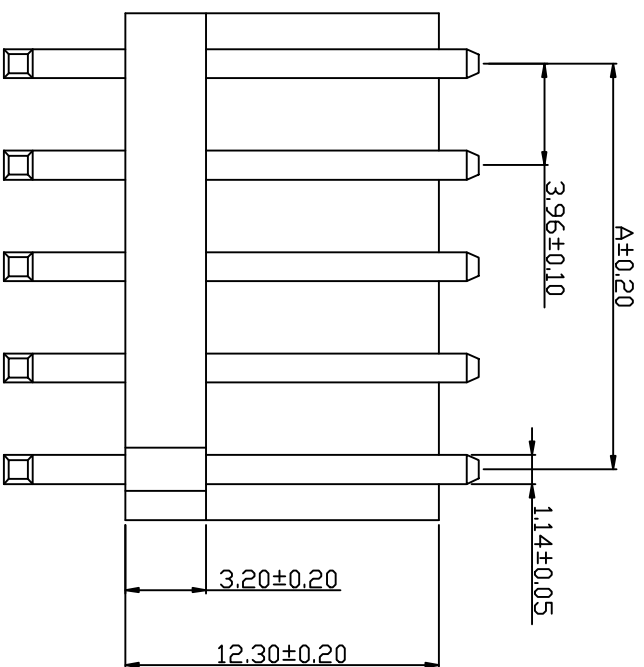
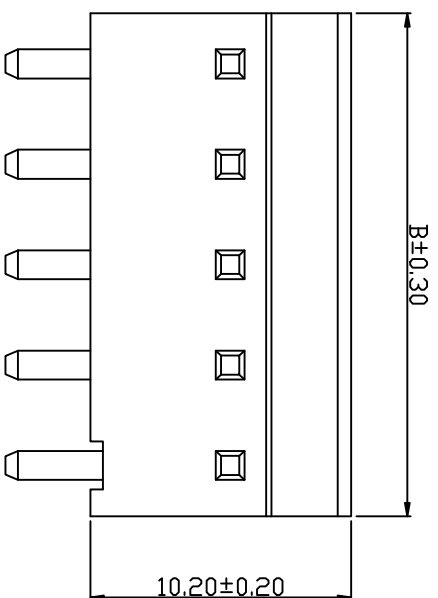
B

C

E

公差表

REV	ECN NO	LOCATIONS	DESCRIPTION	DATE	CHANGER
A			新版本	2016-06-01	李国常

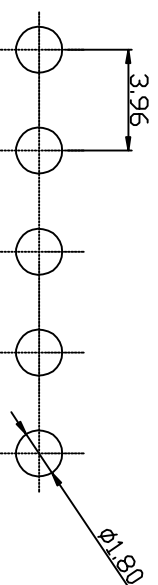


Part No	Dimensions (mm)	
	A	B
V3962R-02	396	792
V3962R-03	792	1188
V3962R-04	1188	1584
V3962R-05	1584	1980
V3962R-06	1980	2376
V3962R-07	2376	2772
V3962R-08	2772	3168
V3962R-09	3168	3564
V3962R-10	3564	3960
V3962R-11	3960	4356
V3962R-12	4356	4752
V3962R-13	4752	5148
V3962R-14	5148	5544
V3962R-15	5544	5940
V3962R-16	5940	6336
V3962R-17	6336	6732
V3962R-18	6732	7128
V3962R-19	7128	7524
V3962R-20	7524	7920

- SPECIFICATIONS**
- Voltage rating: 250V AC, DC
 - Current rating: 7A, AC, DC
 - Withstanding Voltage: 1500V AC/minute
 - Insulation resistance: 1000MΩ min
 - Temperature range: -40℃~+85℃
 - Contact resistance: 10MΩ max
- WAFER**
- Part No: W3962R-NP
 - Poles: 02-20
 - Material: Nylon 66 UL94V-0
 - Pin Material: Brass /Tin-plated

4

4



P.C.B LAYOUT

KLT 深圳市康利通电子科技有限公司

成品规格图

TOLERANCE

0±0.30

.0±0.25

.00±0.20

.000±0.015

1

TITLE	成品规格图		TOLERANCE	
CHECKED BY	DATE	SCALE	VER No	SIZE
	2016-06-01	1:1	A	A4

DRAWN BY	UNIT:mm	PART No		W3962R-NP
李国常				

B

C

D

E

F

B

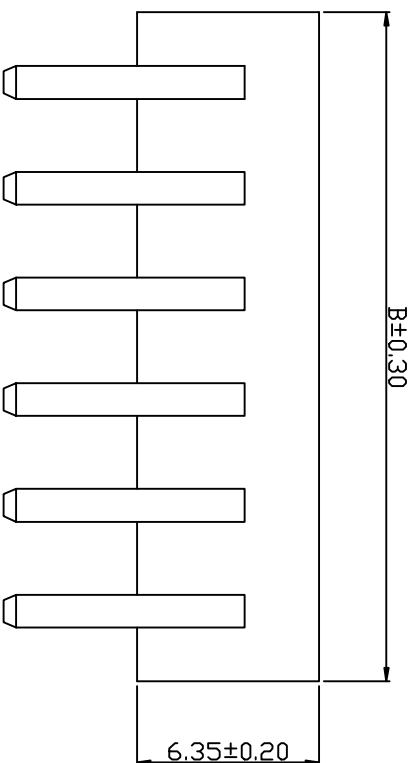
C

E

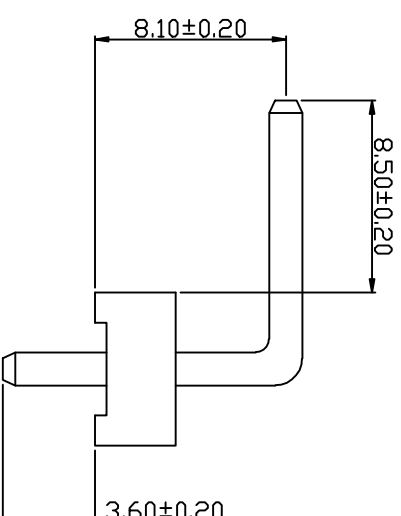
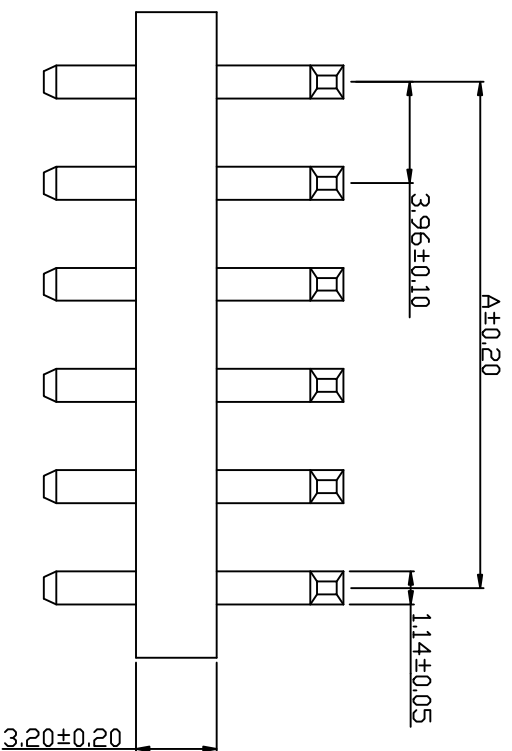
公差表

REV	ECN NO	LOCATIONS	DESCRIPTION	DATE	CHANGER
A			新版本	2016-06-01	李国常

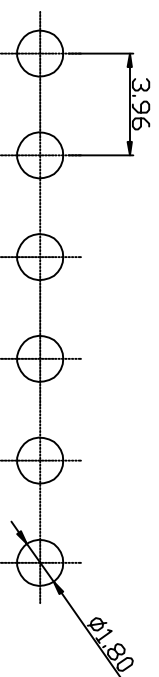
4



4



Part No	Dimensions (mm)	
	A	B
V3962VKBR-02	396	792
V3962VKBR-03	792	1188
V3962VKBR-04	1188	1584
V3962VKBR-05	1584	1980
V3962VKBR-06	1980	2376
V3962VKBR-07	2376	2772
V3962VKBR-08	2772	3168
V3962VKBR-09	3168	3564
V3962VKBR-10	3564	3960
V3962VKBR-11	3960	4356
V3962VKBR-12	4356	4752
V3962VKBR-13	4752	5148
V3962VKBR-14	5148	5544
V3962VKBR-15	5544	5940
V3962VKBR-16	5940	6336
V3962VKBR-17	6336	6732
V3962VKBR-18	6732	7128
V3962VKBR-19	7128	7524
V3962VKBR-20	7524	7920



P.C.B LAYOUT

KLT 深圳市康利通电子科技有限公司

TOCERANCE

0±0.30

.0±0.25

.00±0.20

.000±0.015

1

TITLE	成品规格图		SCALE		VER No	SIZE
CHECKED BY	DATE	2016-06-01	SCALE	1:1	VER No	SIZE
DRAWN BY	UNIT:mm				A	A4
李国常	PART No	W3962VKBR-NP				

B

C

D

E

F