

B

C

E

公差表

REV	ECN NO	LOCATIONS	DESCRIPTION	DATE	CHANGER
A			新版本	2016-05-28	李国常

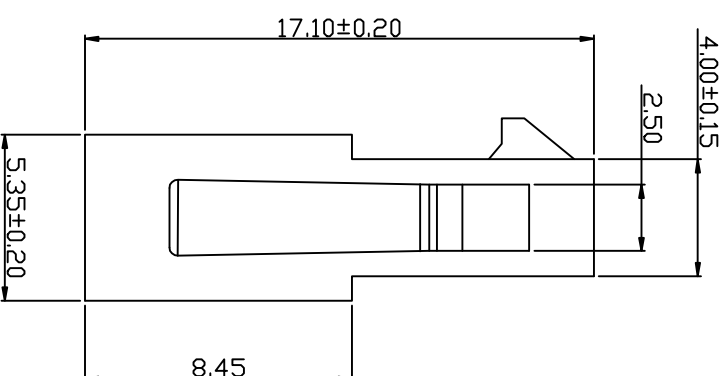
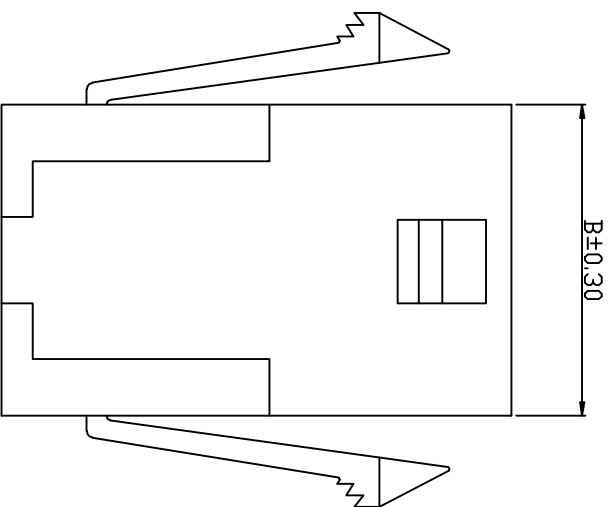
SPECIFICATIONS

- Voltage rating: 250V AC, DC
- Current rating: 5A, AC, DC
- Withstanding Voltage: 1500V AC/minute
- Insulation resistance: 1000MΩ min
- Temperature range: -40℃~+105℃
- Contact resistance: 10MΩ max

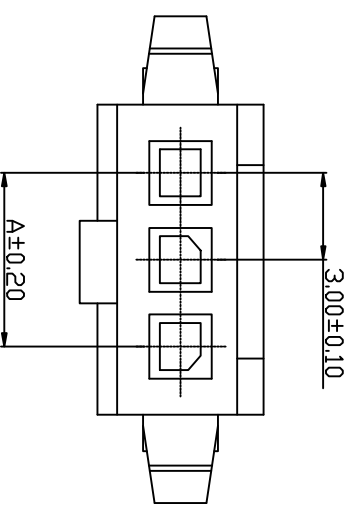
HOUSING

- Part No: H3020-NP
- Poles: 02-12
- Material: Nylon 66 UL94V-2

4



Part No	Dimensions (mm)	
	A	B
H3020-02	3.00	6.85
H3020-03	6.00	9.85
H3020-04	9.00	12.85
H3020-05	12.00	15.85
H3020-06	15.00	18.85
H3020-07	18.00	21.85
H3020-08	21.00	24.85
H3020-09	24.00	27.85
H3020-10	27.00	30.85
H3020-11	30.00	33.85
H3020-12	33.00	36.85



KLT 深圳市康利通电子科技有限公司

成品规格图

TOLERANCE

0±0.30

.0±0.25

.00±0.20

.000±0.015

1

TITLE	成品规格图		TOLERANCE	
CHECKED BY	DATE	SCALE	VER No	SIZE
	2016-05-28	1:1	A	A4

DRAWN BY	UNIT:mm	PART NO		H3020-NP
李国常				

4

B

C

D

E

F

B

C

E

公差表

REV	ECN NO	LOCATIONS	DESCRIPTION	DATE	CHANGER
A			新版本	2016-05-28	李国常

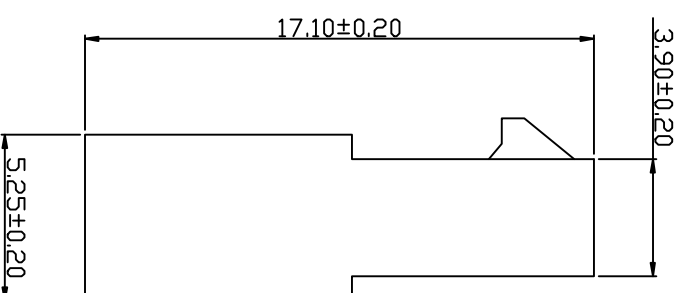
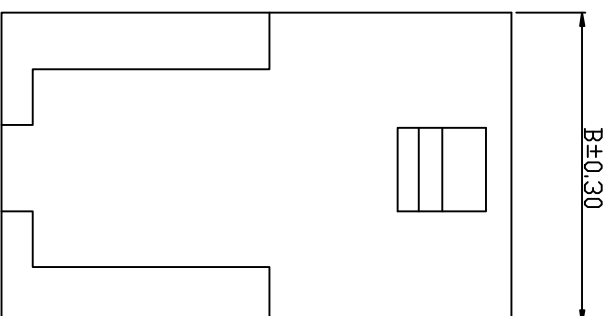
SPECIFICATIONS

- Voltage rating: 250V AC, DC
- Current rating: 5A, AC, DC
- Withstanding Voltage: 1500V AC/minute
- Insulation resistance: 1000MΩ min
- Temperature range: -40℃~+105℃
- Contact resistance: 10MΩ max

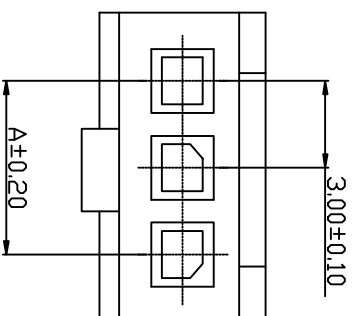
HOUSING

- Part No: H3020NE-NP
- Poles: 02-12
- Material: Nylon 66 UL94V-2

4



Part No	Dimensions (mm)	
	A	B
H3020NE-02	3.00	6.85
H3020NE-03	6.00	9.85
H3020NE-04	9.00	12.85
H3020NE-05	12.00	15.85
H3020NE-06	15.00	18.85
H3020NE-07	18.00	21.85
H3020NE-08	21.00	24.85
H3020NE-09	24.00	27.85
H3020NE-10	27.00	30.85
H3020NE-11	30.00	33.85
H3020NE-12	33.00	36.85



KLT 深圳市康利通电子科技有限公司

成品规格图

Tolerance

0±0.30

.0±0.25

.00±0.20

.000±0.015

1

TITLE	成品规格图		Tolerance	
CHECKED BY	DATE	SCALE	VER No	SIZE
	2016-05-28	1:1		

DRAWN BY	UNIT:mm		A	A4
----------	---------	--	---	----

李国常	PART No	H3020NE-NP
-----	---------	------------

B

C

D

E

F

4

B

C

E

公差表

REV	ECN NO	LOCATIONS	DESCRIPTION	DATE	CHANGER
A			新版本	2016-05-28	李国常

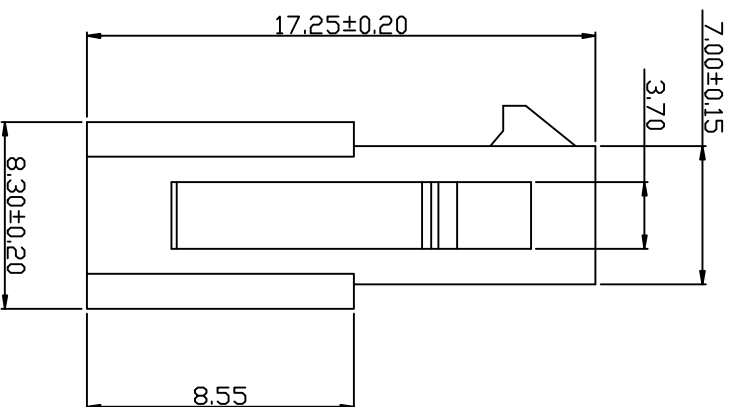
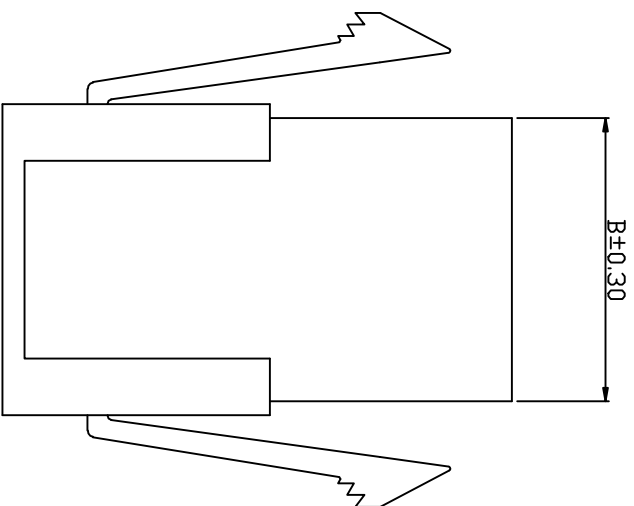
■ SPECIFICATIONS

- Voltage rating: 250V AC, DC
- Current rating: 5A, AC, DC
- Withstanding Voltage: 1500V AC/minute
- Insulation resistance: 1000MΩ min
- Temperature range: -40℃~+105℃
- Contact resistance: 10MΩ max

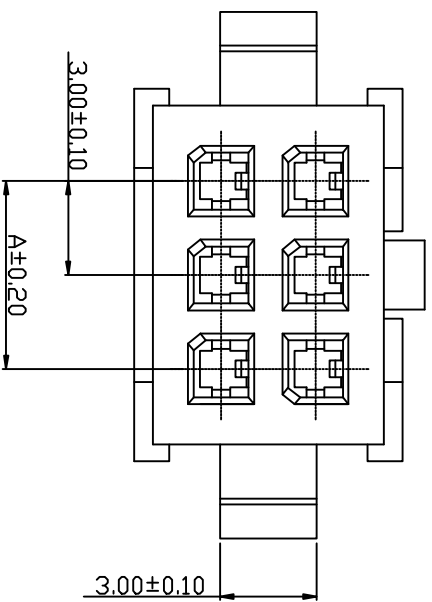
■ HOUSING

- Part No: H3020-2*NP
- Poles: 02-24
- Material: Nylon 66 UL94V-2

4



Part No	Dimensions (mm)	
	A	B
H3020-2*01	—	3.85
H3020-2*02	3.00	6.85
H3020-2*03	6.00	9.85
H3020-2*04	9.00	12.85
H3020-2*05	12.00	15.85
H3020-2*06	15.00	18.85
H3020-2*07	18.00	21.85
H3020-2*08	21.00	24.85
H3020-2*09	24.00	27.85
H3020-2*10	27.00	30.85
H3020-2*11	30.00	33.85
H3020-2*12	33.00	36.85



KLT 深圳市康利通电子科技有限公司

成品规格图

TOCERANCE

0±0.30

.0±0.25

.00±0.20

.000±0.015

1

TITLE	成品规格图		SCALE		1:1	VER No	A	SIZE	A4
CHECKED BY	DATE	2016-05-28	SCALE	1:1	VER No	A	SIZE	A4	

DRAWN BY	UNIT:mm	
----------	---------	--

李国常	PART No	H3020-2*NP
-----	---------	------------

B

C

D

E

F

4

B

C

E

公差表

REV	ECN NO	LOCATIONS	DESCRIPTION	DATE	CHANGER
A			新版本	2016-05-28	李国常

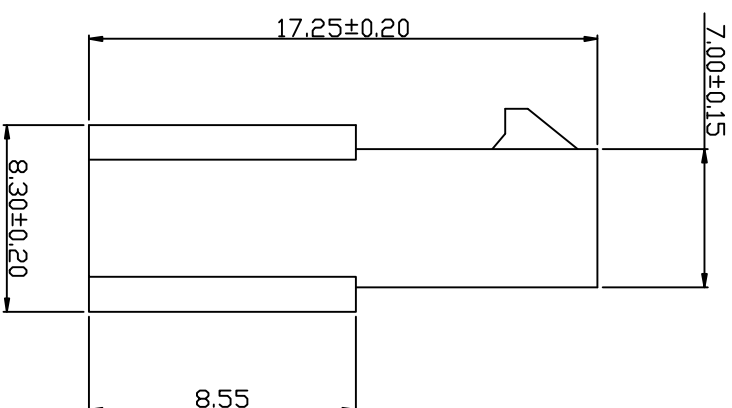
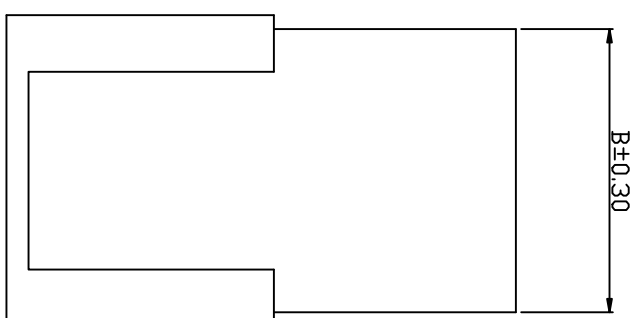
SPECIFICATIONS

- Voltage rating: 250V AC, DC
- Current rating: 5A, AC, DC
- Withstanding Voltage: 1500V AC/minute
- Insulation resistance: 1000MΩ min
- Temperature range: -40℃~+105℃
- Contact resistance: 10MΩ max

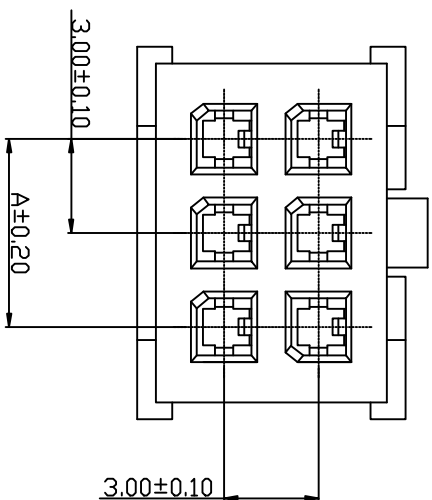
HOUSING

- Part No: H3020NE-2*NP
- Poles: 02-24
- Material: Nylon 66 UL94V-2

4



Part No	Dimensions (mm)	
	A	B
H3020NE-2*01	—	3.95
H3020NE-2*02	3.00	6.85
H3020NE-2*03	6.00	9.85
H3020NE-2*04	9.00	12.85
H3020NE-2*05	12.00	15.85
H3020NE-2*06	15.00	18.85
H3020NE-2*07	18.00	21.85
H3020NE-2*08	21.00	24.85
H3020NE-2*09	24.00	27.85
H3020NE-2*10	27.00	30.85
H3020NE-2*11	30.00	33.85
H3020NE-2*12	33.00	36.85



KLT 深圳市康利通电子科技有限公司

成品规格图

TOCERANCE

0±0.30

.0±0.25

.00±0.20

.000±0.015

VER No SIZE

A A4

1

4

TITLE	成品规格图		TOCERANCE	
CHECKED BY	DATE	SCALE	0±0.30	
	2016-05-28	1:1	.0±0.25	
DRAWN BY	UNIT:mm		.00±0.20	
李国常	PART No		.000±0.015	
			VER No SIZE	
			A A4	
			H3020NE-2*NP	

B

C

D

E

F

B

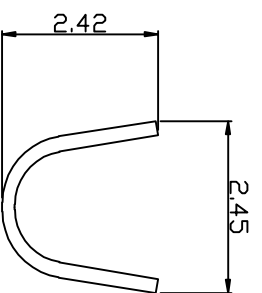
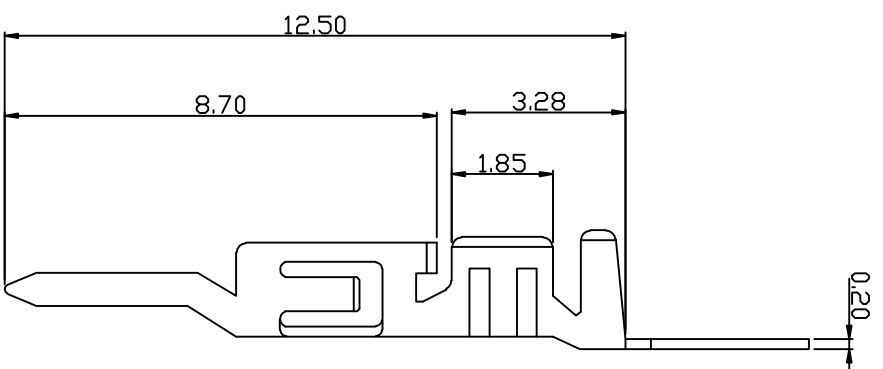
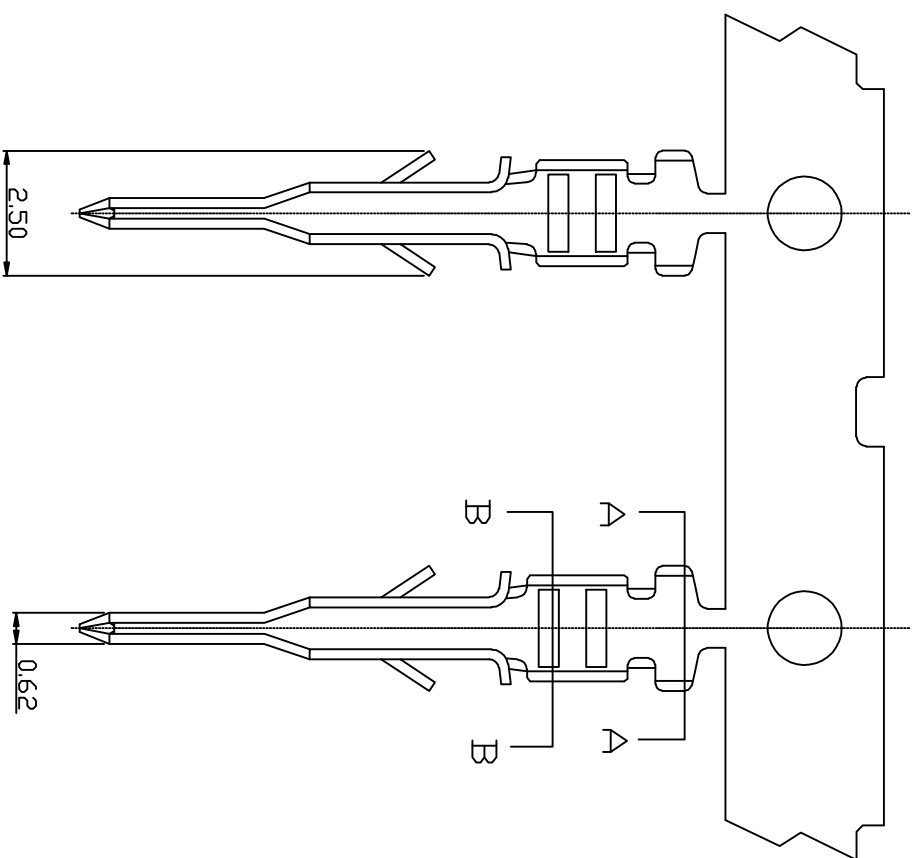
C

E

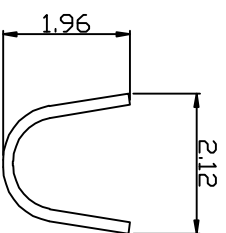
公差表

REV	ECN NO	LOCATIONS	DESCRIPTION	DATE	CHANGER
A			新版本	2016-05-28	李国常

4



SEC: A-A



SEC: B-B

- SPECIFICATIONS**
- Voltage rating: 250V AC, DC
 - Current rating: 5A, AC, DC
 - Withstanding Voltage: 1500V AC/minute
 - Insulation resistance: 1000MΩ min
 - Temperature range: -40℃~+85℃
 - Contact resistance: 10MΩ max
- TERMINAL**
- Part No: T3031PT
 - Applicable wire: AWG#20-#24
 - Material: Phosphor Bronze
 - Finish: Tin plated

KLT 深圳市康利通电子科技有限公司

TITLE

成品规格图

TOLERANCE

0±0.30

.0±0.25

.00±0.20

.000±0.015

CHECKED BY

DATE

SCALE

DRAWN BY

UNIT:mm

1:1

VER No

SIZE

李国常

PART No



A

A4

李国常

PART No

T3031PT

B

C

D

E

F

1

4