

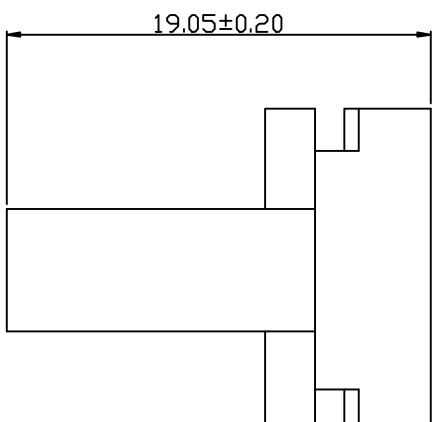
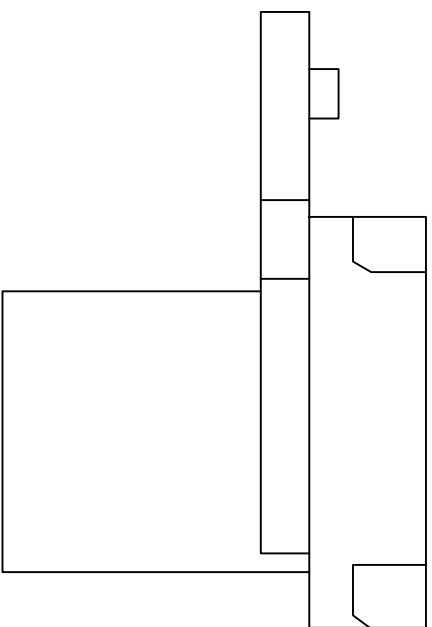
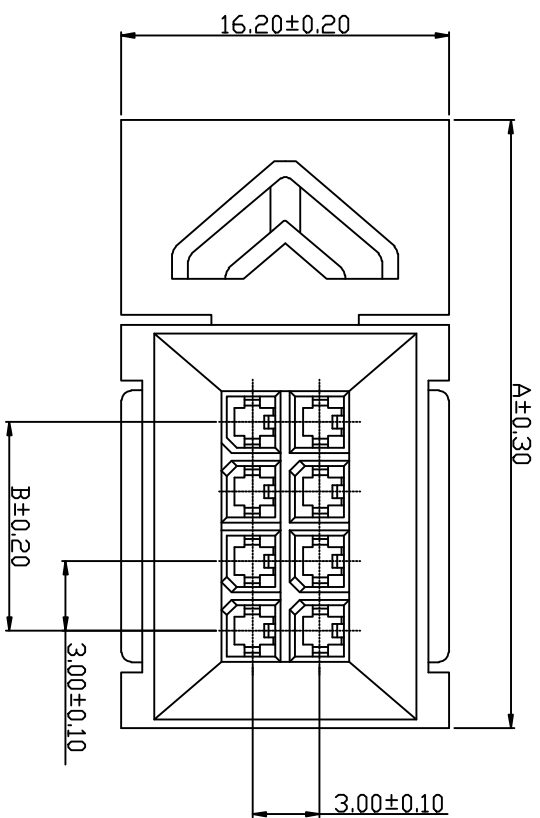
B

C

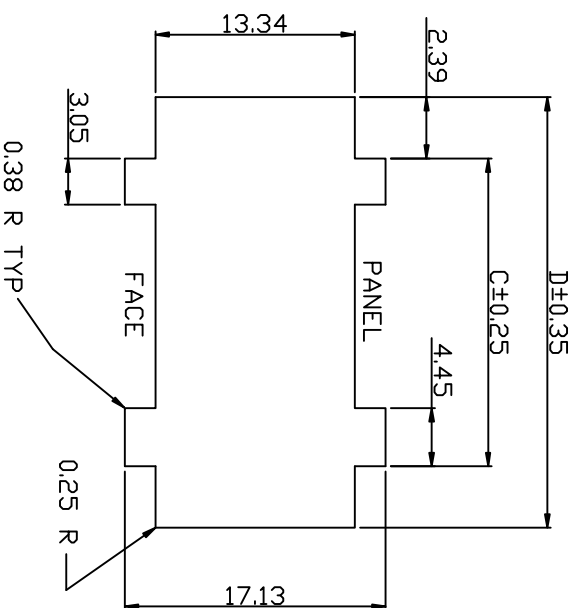
E

公差表

REV	ECN NO	LOCATIONS	DESCRIPTION	DATE	CHANGER
A			新版本	2016-05-31	李国常



Part No	Dimensions (mm)			
	A	B	C	D
H3000-2*02	22.84	3.00	14.85	20.85
H3000-2*03	25.84	6.00	17.85	23.85
H3000-2*04	28.84	9.00	20.85	26.85
H3000-2*05	31.84	12.00	23.85	29.85
H3000-2*06	34.84	15.00	26.85	32.85
H3000-2*07	37.84	18.00	29.85	35.85
H3000-2*08	40.84	21.00	32.85	38.85
H3000-2*09	43.84	24.00	35.85	41.85
H3000-2*10	46.84	27.00	38.85	44.85
H3000-2*11	49.84	30.00	41.85	47.85
H3000-2*12	52.84	33.00	44.85	50.85



- SPECIFICATIONS**
- Voltage rating: 250V AC, DC
 - Current rating: 5A, AC, DC
 - Withstanding Voltage: 1500V AC/minute
 - Insulation resistance: 1000MΩ min
 - Temperature range: -40℃~+105℃
 - Contact resistance: 10MΩ max
- HOUSING**
- Part No: H3000-2*NP
 - Poles: 04-24
 - Material: Nylon 66 UL94V-2

KLT 深圳市康利通电子科技有限公司

成品规格图

TOLERANCE

0±0.30

.0±0.25

.00±0.20

.000±0.015

TITLE	成品规格图		TOLERANCE	
CHECKED BY	DATE	SCALE	VER No	SIZE
DRAWN BY	UNIT:mm	1:1	A	A4
李国常	2016-05-31			
PART NO	H3000-2*NP			

4

4

B

C

D

E

F

1

B

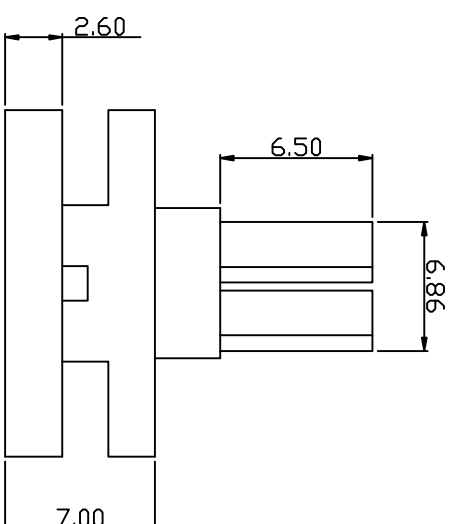
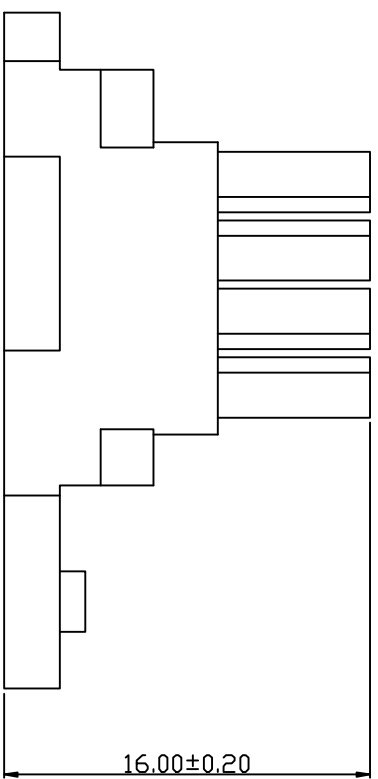
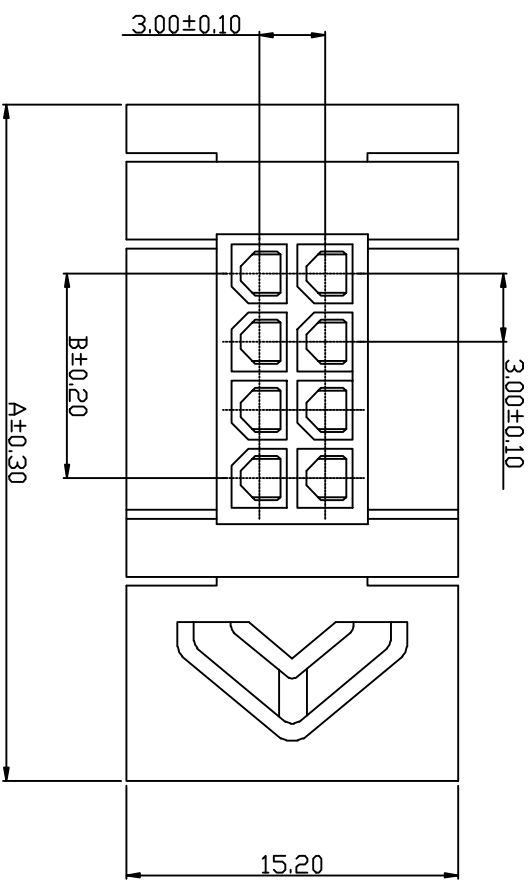
C

E

公差表

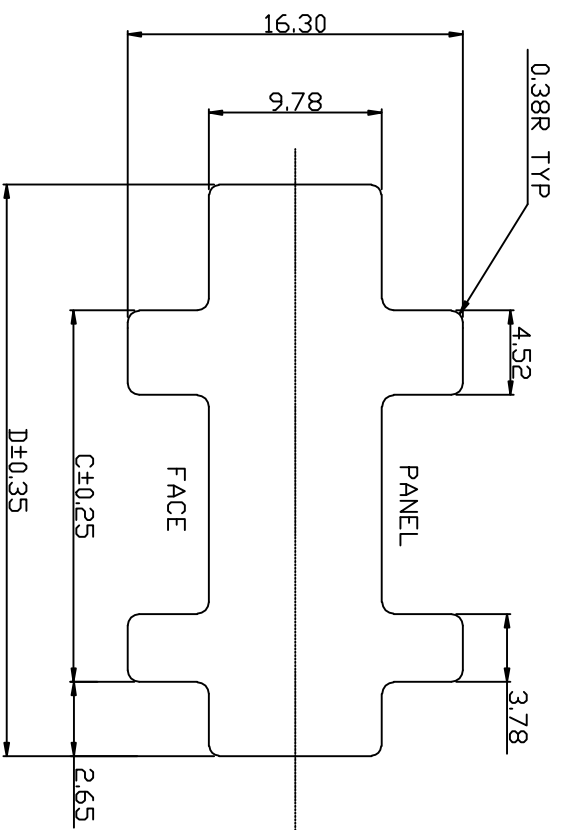
REV	ECN NO	LOCATIONS	DESCRIPTION	DATE	CHANGER
A			新版本	2016-05-31	李国常

4



Part No	Dimensions (mm)			
	A	B	C	D
H3033-2*02	24.60	3.00	13.46	22.10
H3033-2*03	27.70	6.00	16.46	25.10
H3033-2*04	30.70	9.00	19.46	28.10
H3033-2*05	33.80	12.00	22.46	31.10
H3033-2*06	36.80	15.00	25.46	34.10
H3033-2*07	39.90	18.00	28.46	37.10
H3033-2*08	42.90	21.00	31.46	40.10
H3033-2*09	46.00	24.00	34.46	43.10
H3033-2*10	49.00	27.00	37.46	46.10
H3033-2*11	51.80	30.00	40.46	49.10
H3033-2*12	54.90	33.00	43.46	52.10

- SPECIFICATIONS**
- Voltage rating: 250V AC, DC
 - Current rating: 5A, AC, DC
 - Withstanding Voltage: 1500V AC/minute
 - Insulation resistance: 1000MΩ min
 - Temperature range: -40℃~+105℃
 - Contact resistance: 10MΩ max
- HOUSING**
- Part No: H3033-2*NP
 - Poles: 04-24
 - Material: Nylon 66 UL94V-2



KLIT 深圳市康利通电子科技有限公司

成品规格图

TOLERANCE

0±0.30

.0±0.25

.00±0.20

.000±0.015

1

TITLE	成品规格图		SCALE		VER No	SIZE
CHECKED BY	DATE	SCALE	1:1	VER No	SIZE	
2016-05-31						
DRAWN BY	UNIT:mm		A	A4		
李国常	PART No	H3033-2*NP				

B

C

D

E

F

4