

B

C

E

公差表

REV	ECN NO	LOCATIONS	DESCRIPTION	DATE	CHANGER
A			新版本	2016-05-11	李国常

**SPECIFICATIONS**

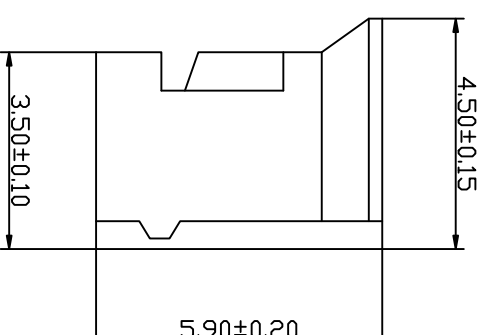
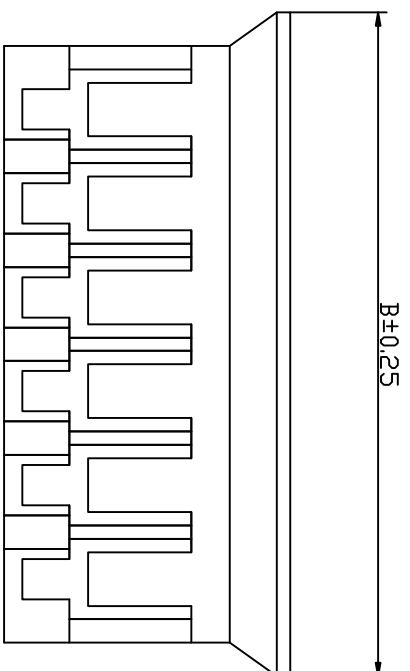
- Voltage rating: 300V AC, DC
- Current rating: 3A, AC, DC
- Withstanding Voltage: 1000V AC/minute
- Insulation resistance: 100MΩ min
- Temperature range: -40℃~+85℃
- Contact resistance: 20MΩ max

**HOUSING**

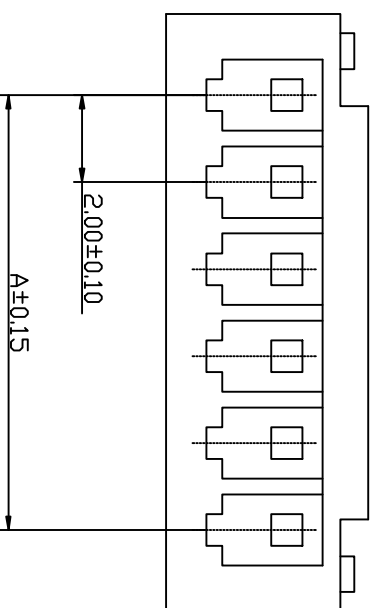
- Part No: H2008-NP
- Poles: 02-16
- Material: Nylon 66 UL94V-0

4

4



Part No	Dimensions (mm)	
	A	B
H2008-02	2.00	5.60
H2008-03	4.00	7.60
H2008-04	6.00	9.60
H2008-05	8.00	11.60
H2008-06	10.00	13.60
H2008-07	12.00	15.60
H2008-08	14.00	17.60
H2008-09	16.00	19.60
H2008-10	18.00	21.60
H2008-11	20.00	23.60
H2008-12	22.00	25.60
H2008-13	24.00	27.60
H2008-14	26.00	29.60
H2008-15	28.00	31.60
H2008-16	30.00	33.60



**KLT** 深圳市康利通电子科技有限公司

TOLERANCE

0±0.30

.0±0.25

.00±0.20

.000±0.015

1

成品规格图

TITLE	成品规格图		TOLERANCE	
CHECKED BY	DATE	SCALE	VER No	SIZE
	2016-05-11	1:1	A	A4
DRAWN BY	UNIT:mm			
李国常	PART NO	H2008-NP		

B

C

D

E

F

B

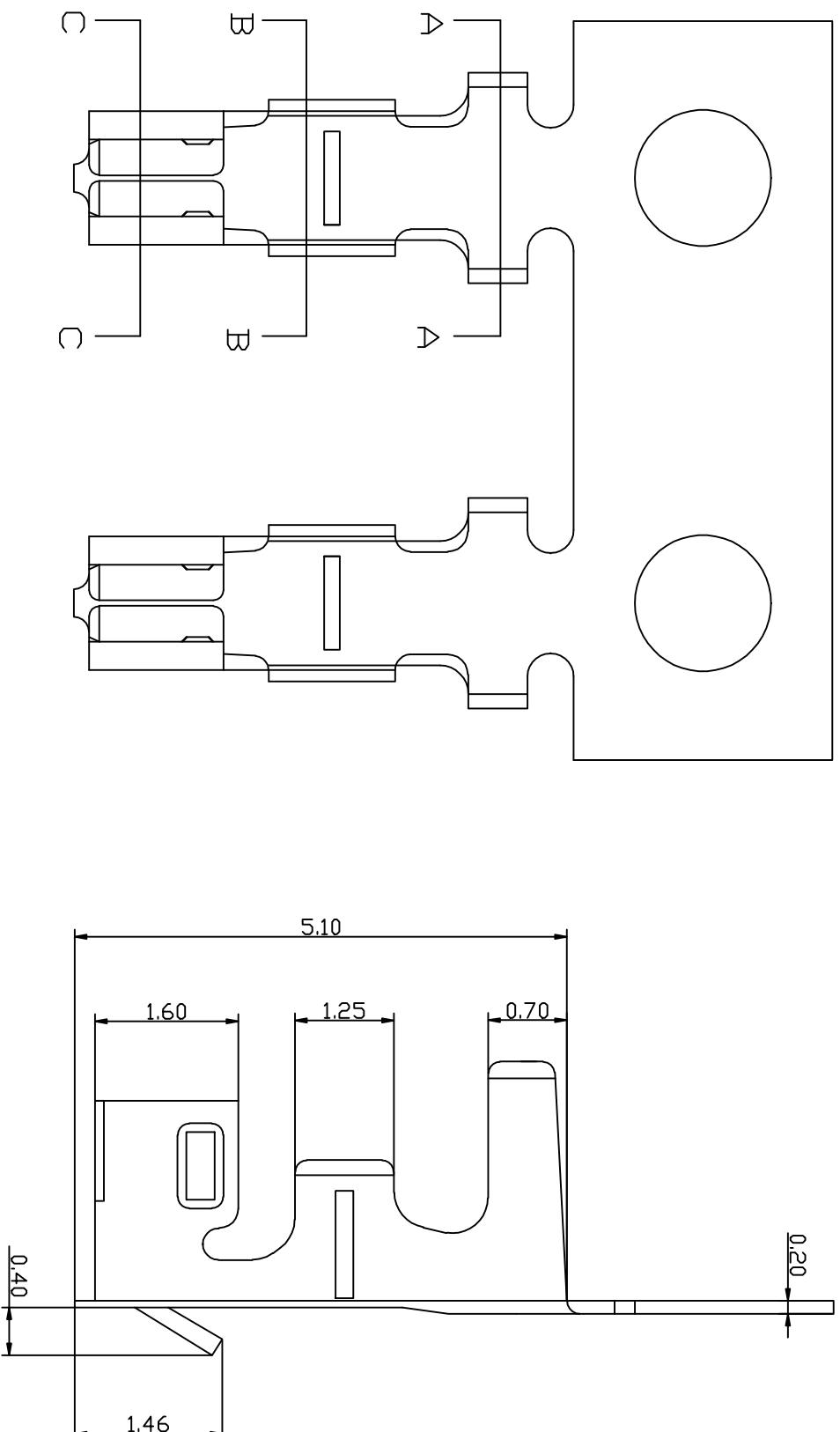
C

E

公差表

REV	ECN NO	LOCATIONS	DESCRIPTION	DATE	CHANGER
A			新版本	2016-05-11	李国常

4



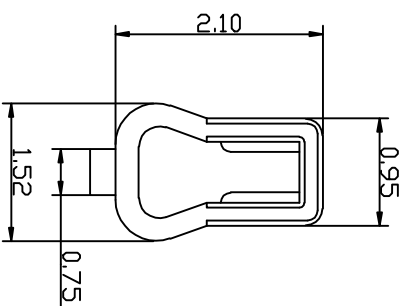
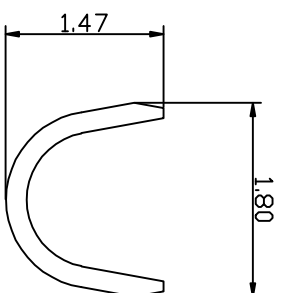
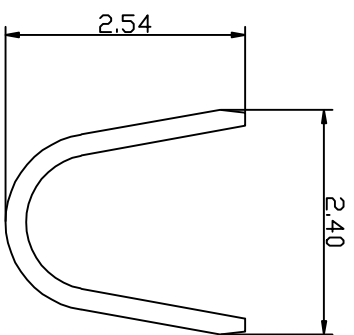
- SPECIFICATIONS**
- Voltage rating: 300V AC, DC
  - Current rating: 3A, AC, DC
  - Withstanding Voltage: 1000V AC/minute
  - Insulation resistance: 100MΩ min
  - Temperature range: -40°C~+85°C
  - Contact resistance: 20MΩ max
- TERMINAL**
- Part No: T2008PT
  - Applicable wire: AWG#24-#28
  - Material: Phosphor Bronze
  - Finish: Tin plated

4

SEC: A-A

SEC: B-B

SEC: C-C



**KLT** 深圳市康利通电子科技有限公司

成品规格图

Tolerance

0±0.30

.0±0.25

.00±0.20

.000±0.015

TITLE	DATE	SCALE	VER No	SIZE
CHECKED BY	2016-05-11	1:1	A	A4
DRAWN BY	UNIT:mm			
李国常	PART No	T2008PT		

B

C

D

E

F

1

B

C

E

公差表

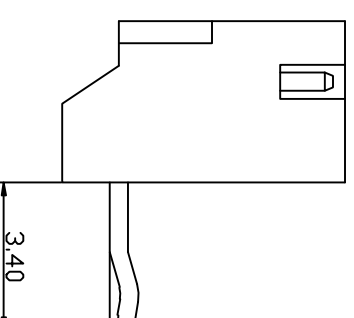
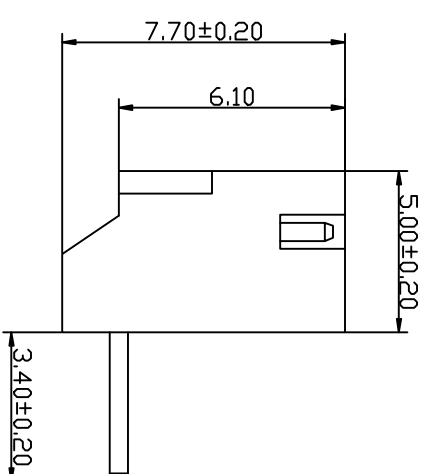
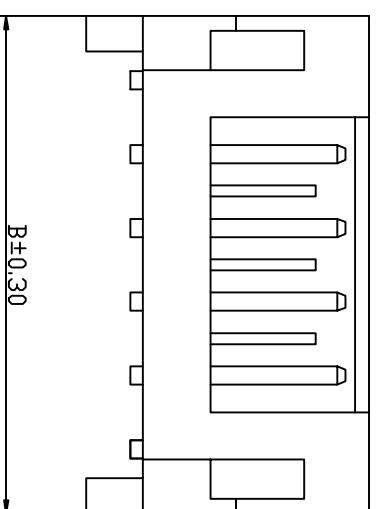
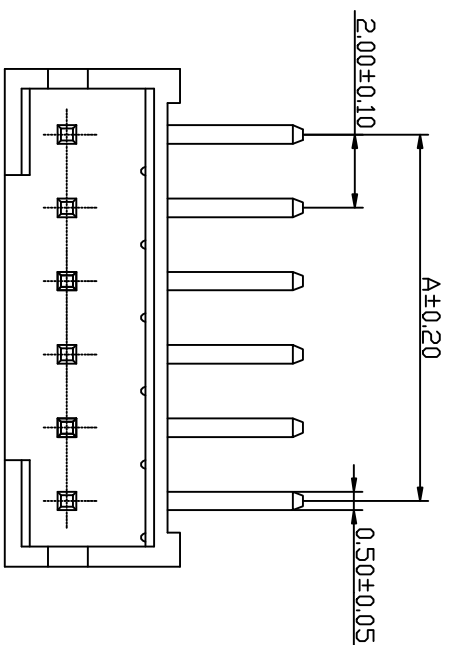
REV	ECN NO	LOCATIONS	DESCRIPTION	DATE	CHANGER
A			新版本	2016-05-11	李国常

**SPECIFICATIONS**

- Voltage rating: 250V AC, DC
  - Current rating: 3A, AC, DC
  - Withstanding Voltage: 1000V AC/minute
  - Insulation resistance: 1000MΩ min
  - Temperature range: -40℃~+85℃
  - Contact resistance: 20MΩ max
- WAFER
- Part No: W2008R-NP
  - Poles: 02-16
  - Material: Nylon 66 UL94V-0
  - Pin Material: Brass /Tin-plated

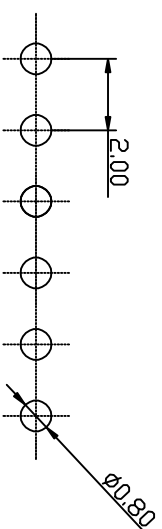
4

4



W2008R-XX TYPE 1      W2008RK-XX TYPE 2

Part No	Dimensions (mm)	
	A	B
W2008R-02	2.00	6.00
W2008R-03	4.00	8.00
W2008R-04	6.00	10.00
W2008R-05	8.00	12.00
W2008R-06	10.00	14.00
W2008R-07	12.00	16.00
W2008R-08	14.00	18.00
W2008R-09	16.00	20.00
W2008R-10	18.00	22.00
W2008R-11	20.00	24.00
W2008R-12	22.00	26.00
W2008R-13	24.00	28.00
W2008R-14	26.00	30.00
W2008R-15	28.00	32.00
W2008R-16	30.00	34.00



P.C.B LAYOUT

**KLT** 深圳市康利通电子科技有限公司

成品规格图

TOLERANCE

0±0.30

.0±0.25

.00±0.20

.000±0.015

TITLE	成品规格图		TOLERANCE	
CHECKED BY	DATE	SCALE	VER No	SIZE
DRAWN BY	UNIT:mm	1:1	A	A4
李国常	2016-05-11			

PART No	W2008R-NP
---------	-----------

B

C

D

E

F

1

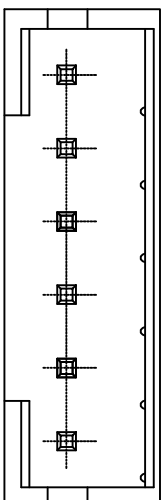
B

C

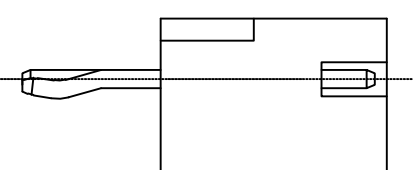
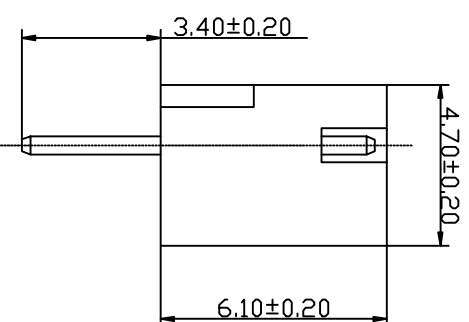
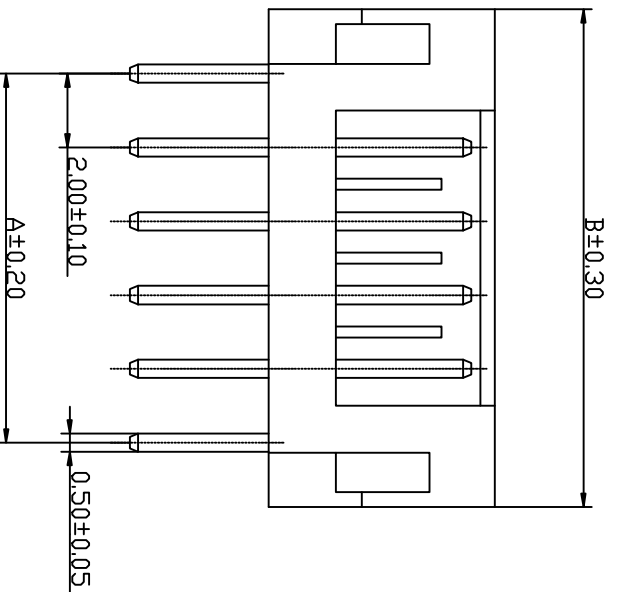
E

公差表

REV	ECN NO	LOCATIONS	DESCRIPTION	DATE	CHANGER
A			新版本	2016-05-11	李国常



4



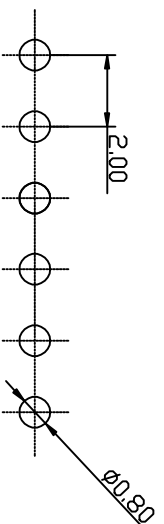
W2008V-XX  
TYPE 1

W2008VK-XX  
TYPE 2

Part No	Dimensions (mm)	
	A	B
W2008V-02	2.00	6.00
W2008V-03	4.00	8.00
W2008V-04	6.00	10.00
W2008V-05	8.00	12.00
W2008V-06	10.00	14.00
W2008V-07	12.00	16.00
W2008V-08	14.00	18.00
W2008V-09	16.00	20.00
W2008V-10	18.00	22.00
W2008V-11	20.00	24.00
W2008V-12	22.00	26.00
W2008V-13	24.00	28.00
W2008V-14	26.00	30.00
W2008V-15	28.00	32.00
W2008V-16	30.00	34.00

- SPECIFICATIONS**
- Voltage rating: 250V AC, DC
  - Current rating: 3A, AC, DC
  - Withstanding Voltage: 1000V AC/minute
  - Insulation resistance: 1000MΩ min
  - Temperature range: -40℃~+85℃
  - Contact resistance: 20MΩ max
- WAFER**
- Part No: W2008V-NP
  - Poles: 02-16
  - Material: Nylon 66 UL94V-0
  - Pin Material: Brass / Tin-plated

4



P.C.B LAYOUT

B

C

D

E

F

**KLT** 深圳市康利通电子科技有限公司

成品规格图

TOLERANCE

0±0.30

.0±0.25

.00±0.20

.000±0.015

TITLE	成品规格图		TOLERANCE	
CHECKED BY	DATE	SCALE	VER No	SIZE
	2016-05-11	1:1	A	A4

DRAWN BY	UNIT:mm	PART No		W2008V-NP
李国常				

1