

B

C

E

公差表

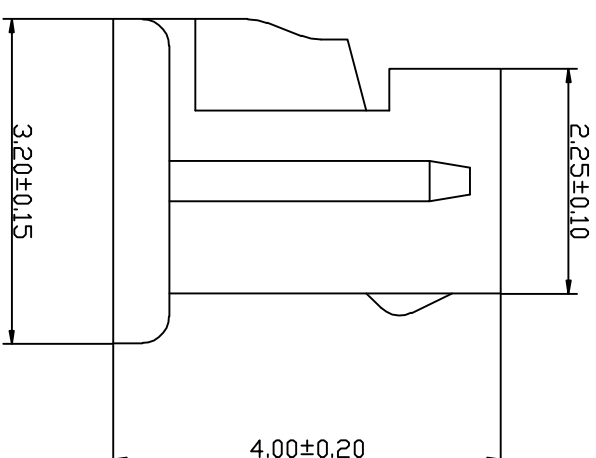
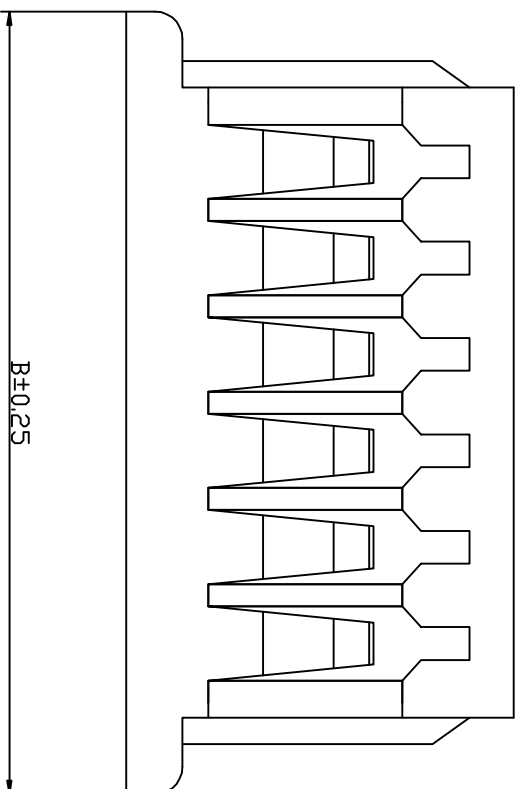
REV	ECN NO	LOCATIONS	DESCRIPTION	DATE	CHANGER
A			新版本	2016-04-21	李国常

SPECIFICATIONS

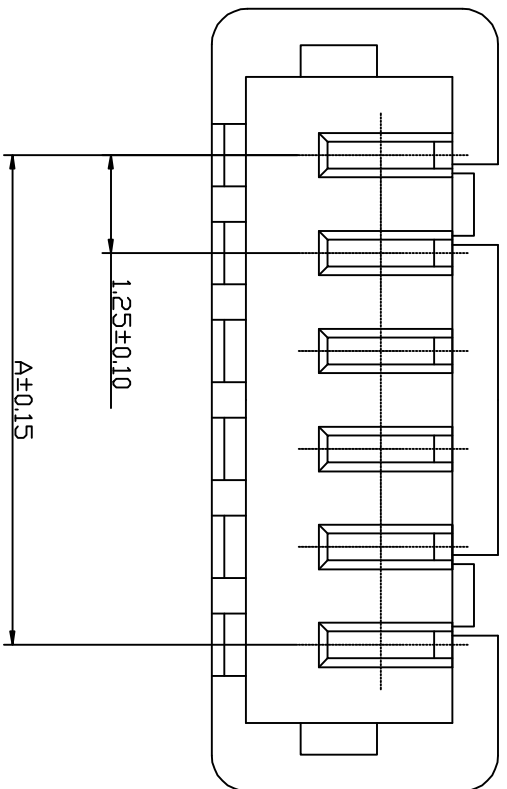
- Voltage rating: 125V AC, DC
- Current rating: 1A, AC, DC
- Withstanding Voltage: 500V AC/minute
- Insulation resistance: 100MΩ min
- Temperature range: -40℃~+85℃
- Contact resistance: 20MΩ max

HOUSING

- Part No: H1250-NP
- Poles: 02-16
- Material: Nylon 66 UL94V-0



Part No	Dimensions (mm)	
	A	B
H1250-02	1.25	4.25
H1250-03	2.50	5.50
H1250-04	3.75	6.75
H1250-05	5.00	8.00
H1250-06	6.25	9.25
H1250-07	7.50	10.50
H1250-08	8.75	11.75
H1250-09	10.00	13.00
H1250-10	11.25	14.25
H1250-11	12.50	15.50
H1250-12	13.75	16.75
H1250-13	15.00	18.00
H1250-14	16.25	19.25
H1250-15	17.50	20.50
H1250-16	18.75	21.75



KLT 深圳市康利通电子科技有限公司

成品规格图

TOLERANCE

- 0±0.30
- .0±0.25
- .00±0.20
- .000±0.015

TITLE	成品规格图		TOLERANCE	
CHECKED BY	DATE	SCALE	VER No	SIZE
	2016-04-21	1:1	A	A4
DRAWN BY	UNIT:mm			
李国常				
PART NO	H1250-NP			

4

4

B

C

D

E

F

1

B

C

E

公差表

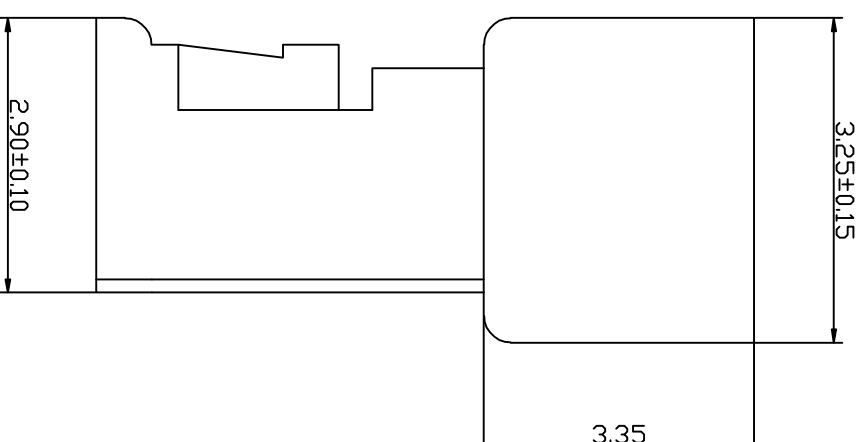
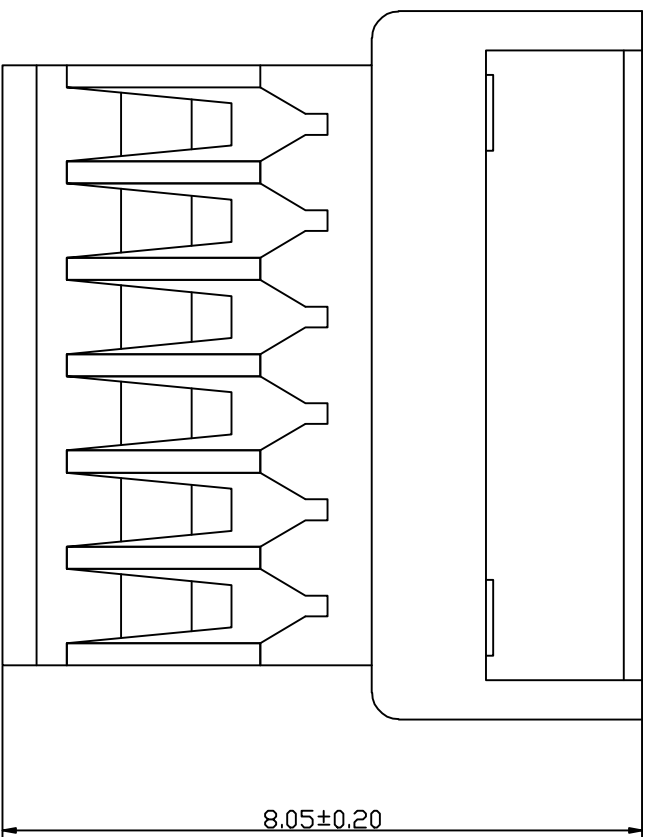
REV	ECN NO	LOCATIONS	DESCRIPTION	DATE	CHANGER
A			新版本	2016-04-21	李国常

SPECIFICATIONS

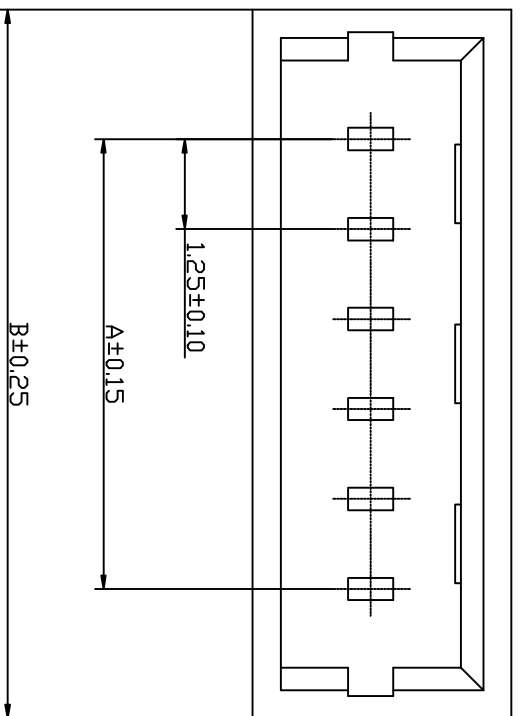
- Voltage rating: 125V AC,DC
- Current rating: 1A, AC, DC
- Withstanding Voltage: 500V AC/minute
- Insulation resistance: 100MΩ min
- Temperature range: -40℃~+85℃
- Contact resistance: 20MΩ max

HOUSING

- Part No: H1251-NP
- Poles: 02-15
- Material: Nylon 66 UL94V-0



Part NO	Dimensions (mm)	
	A	B
H1251-02	1.25	4.25
H1251-03	2.50	5.50
H1251-04	3.75	6.75
H1251-05	5.00	8.00
H1251-06	6.25	9.25
H1251-07	7.50	10.50
H1251-08	8.75	11.75
H1251-09	10.00	13.00
H1251-10	11.25	14.25
H1251-11	12.50	15.50
H1251-12	13.75	16.75
H1251-13	15.00	18.00
H1251-14	16.25	19.25
H1251-15	17.50	20.50



KLT 深圳市康利通电子科技有限公司

成品规格图

TOLERANCE

0±0.30

.0±0.25

.00±0.20

.000±0.015

TITLE	成品规格图			
CHECKED BY	DATE	SCALE	VER No	SIZE
	2016-04-21	1:1	A	A4
DRAWN BY	UNIT:mm			
李国常				
PART NO	H1251-NP			

4

4

B

C

D

E

F

1

B

C

E

公差表

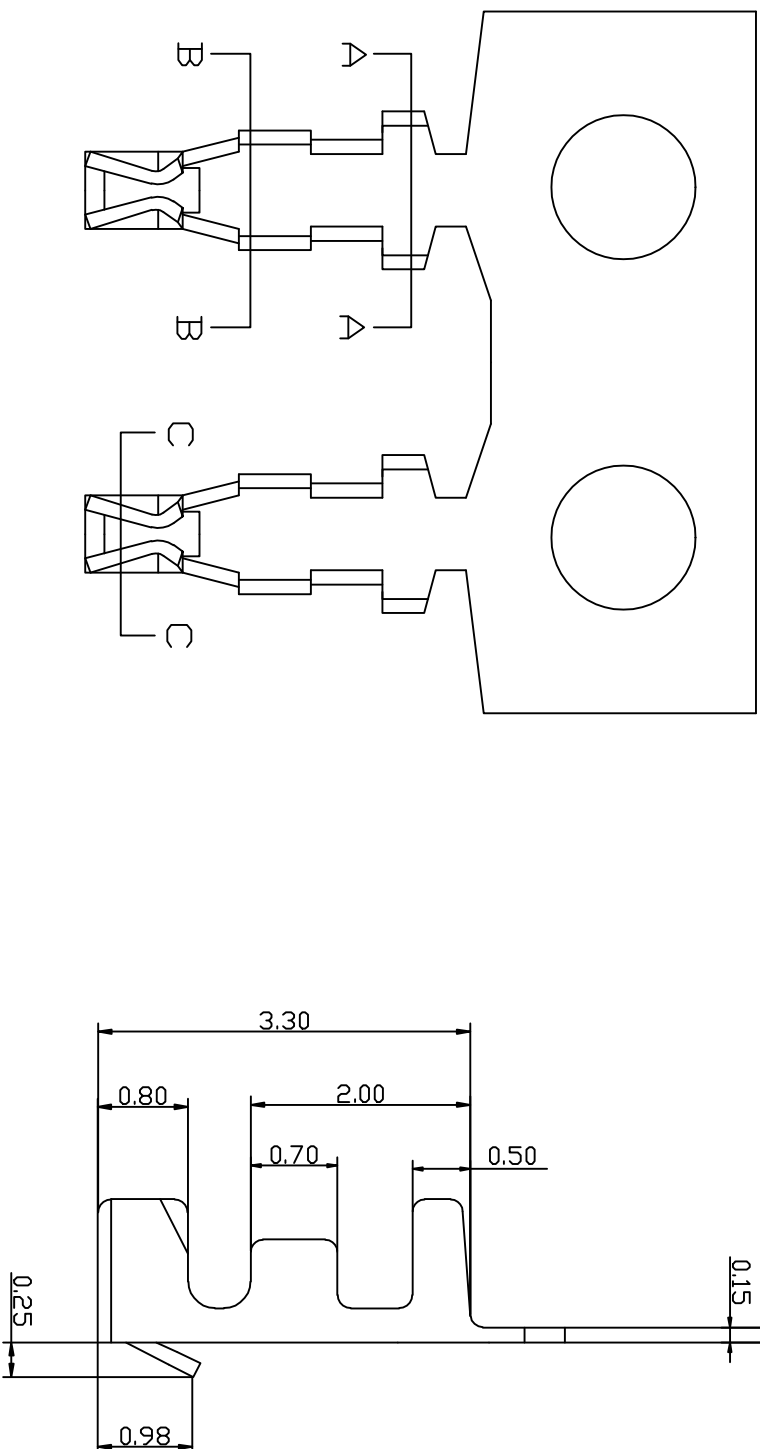
REV	ECN NO	LOCATIONS	DESCRIPTION	DATE	CHANGER
A			新版本	2016-04-21	李国常

SPECIFICATIONS

- Voltage rating: 125V AC, DC
- Current rating: 1A, AC, DC
- Withstanding Voltage: 500V AC/minute
- Insulation resistance: 100MΩ min
- Temperature range: -40℃~+85℃
- Contact resistance: 20MΩ max

TERMINAL

- Part No: T1250PT
- Applicable wire: AWG#28-#32
- Material: Phosphor Bronze
- Finish: Tin Plated



SEC: A-A

SEC: B-B

SEC: C-C

KLT 深圳市康利通电子科技有限公司

成品规格图

Tolerance

0±0.30

.0±0.25

.00±0.20

.000±0.015

1

TITLE	DATE	SCALE	VER No	SIZE
CHECKED BY	2016-04-21	1:1		
DRAWN BY	UNIT:mm		A	A4
DRAWN BY	PART No		T1250PT	
李国常				

B

C

D

E

F

4

4

B

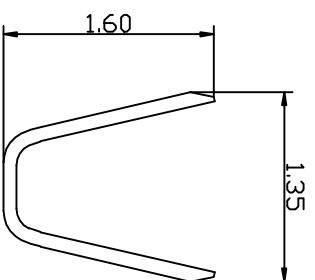
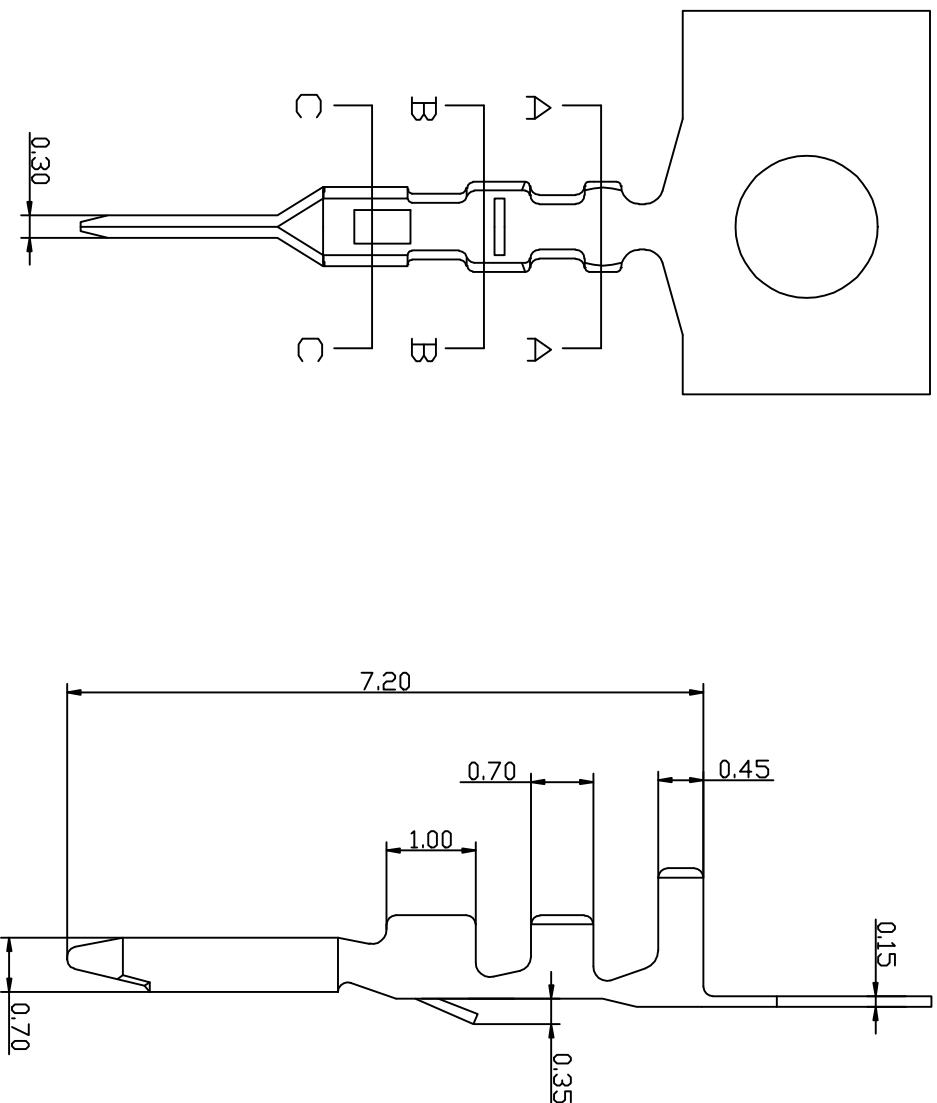
C

E

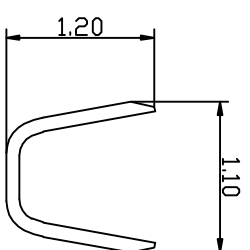
公差表

REV	ECN NO	LOCATIONS	DESCRIPTION	DATE	CHANGER
A			新版本	2016-04-21	李国常

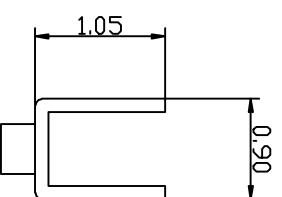
4



SEC: A-A



SEC: B-B



SEC: C-C

- SPECIFICATIONS
- Voltage rating: 125V AC, DC
 - Current rating: 1A, AC, DC
 - Withstanding Voltage: 500V AC/minute
 - Insulation resistance: 100MΩ min
 - Temperature range: -40℃~+85℃
 - Contact resistance: 20MΩ max
- TERMINAL
- Part No: T1251PT
 - Applicable wire: AWG#28-#32
 - Material: Phosphor Bronze
 - Finish: Tin Plated

KLT 深圳市康利通电子科技有限公司

成品规格图

Tolerance

0±0.30

.0±0.25

.00±0.20

.000±0.015

1

TITLE	DATE	SCALE	VER No	SIZE
CHECKED BY	2016-04-21	1:1		
DRAWN BY	UNIT:mm		A	A4
李国常	PART No	T1251PT		

B

C

D

E

F

4

B

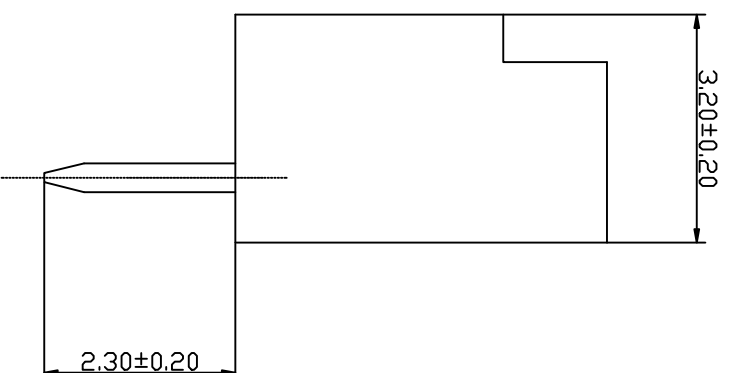
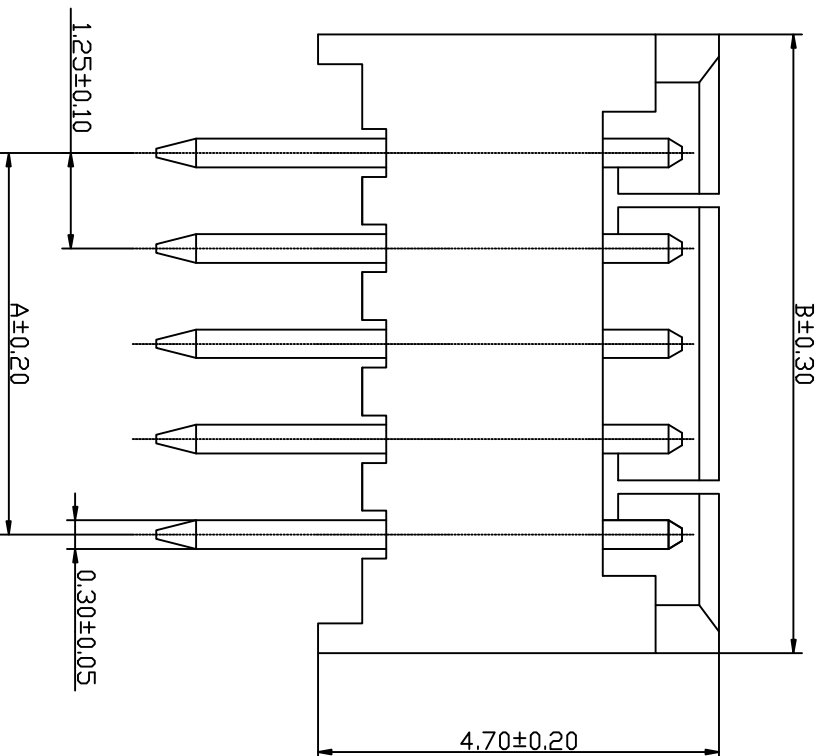
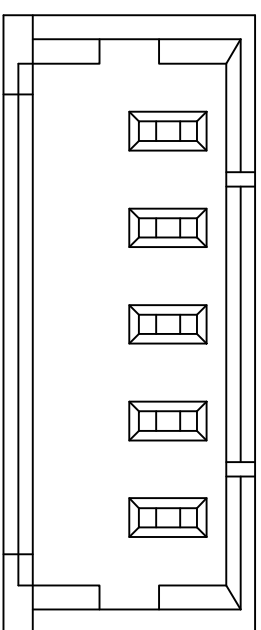
C

E

公差表

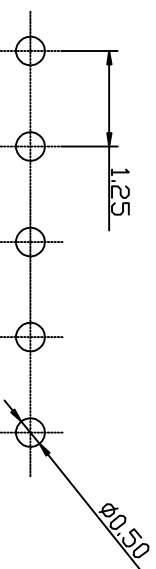
REV	ECN NO	LOCATIONS	DESCRIPTION	DATE	CHANGER
A			新版本	2016-04-21	李国常

4



Part No	Dimensions (mm)	
	A	B
W1251-02	1.25	4.25
W1251-03	2.50	5.50
W1251-04	3.75	6.75
W1251-05	5.00	8.00
W1251-06	6.25	9.25
W1251-07	7.50	10.50
W1251-08	8.75	11.75
W1251-09	10.00	13.00
W1251-10	11.25	14.25
W1251-11	12.50	15.50
W1251-12	13.75	16.75
W1251-13	15.00	18.00
W1251-14	16.25	19.25
W1251-15	17.50	20.50

- SPECIFICATIONS**
- Voltage rating: 125V AC, DC
 - Current rating: 1A, AC, DC
 - Withstanding Voltage: 500V AC/minute
 - Insulation resistance: 100MΩ min
 - Temperature range: -40°C~+85°C
 - Contact resistance: 10MΩ max
- WAFER
- Part No: W1251V-NP
 - Poles: 02-15
 - Material: Nylon 66 UL94V-0
 - Ter Material: Phosphor Bronze /Tin-plated



P.C.B LAYOUT

KLT 深圳市康利通电子科技有限公司

TITLE

成品规格图

TOLERANCE

0±0.30

.0±0.25

.00±0.20

.000±0.015

1

CHECKED BY	DATE	SCALE	VER No	SIZE
	2016-04-21	1:1		

DRAWN BY

UNIT:mm



A

A4

李国常

PART NO

W1251V-NP

B

C

D

E

F

4

B

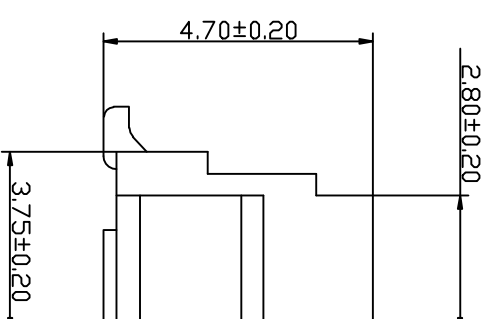
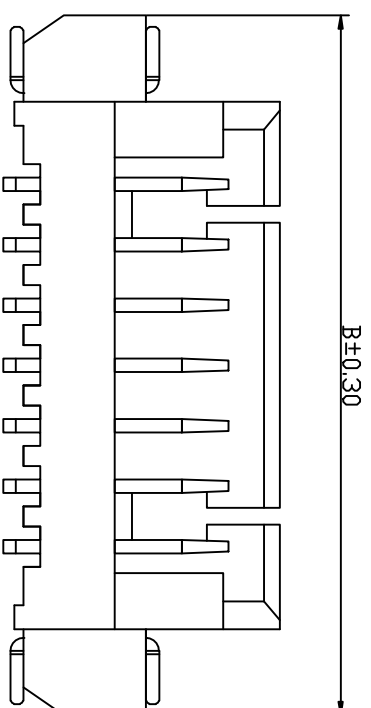
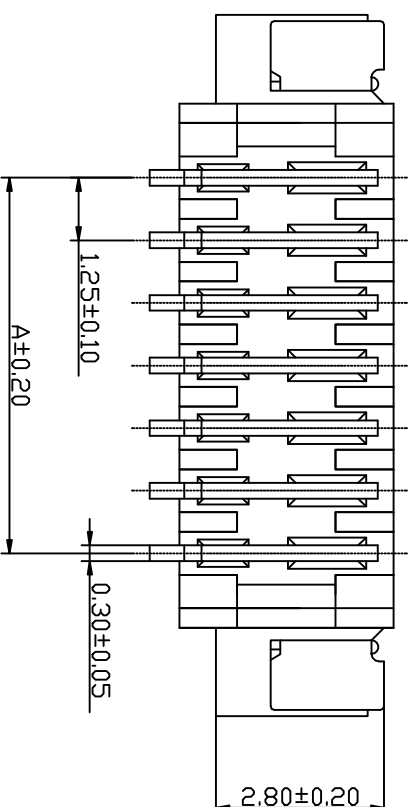
C

E

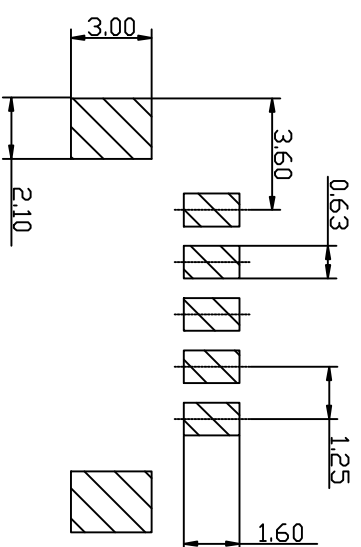
公差表

REV	ECN NO	LOCATIONS	DESCRIPTION	DATE	CHANGER
A			新版本	2016-04-21	李国常

4



Part No	Dimensions (mm)	
	A	B
W1251SV-02	1.25	7.75
W1251SV-03	2.50	9.00
W1251SV-04	3.75	10.25
W1251SV-05	5.00	11.50
W1251SV-06	6.25	12.75
W1251SV-07	7.50	14.00
W1251SV-08	8.75	15.25
W1251SV-09	10.00	16.50
W1251SV-10	11.25	17.75
W1251SV-11	12.50	19.00
W1251SV-12	13.75	20.25
W1251SV-13	15.00	21.50
W1251SV-14	16.25	22.75
W1251SV-15	17.50	24.00
W1251SV-16	18.75	25.25



P.C.B LAYOUT

KLT 深圳市康利通电子科技有限公司

成品规格图

TOLERANCE

0±0.30

.0±0.25

.00±0.20

.000±0.015

VER No SIZE

A A4

TITLE	成品规格图		TOLERANCE	
CHECKED BY	DATE	SCALE	VER No	SIZE
DRAWN BY	UNIT:mm	1:1	A	A4
李国常	2016-04-21			
PART No	W1251SV-NP			

B

C

D

E

F

4

1

B

C

E

公差表

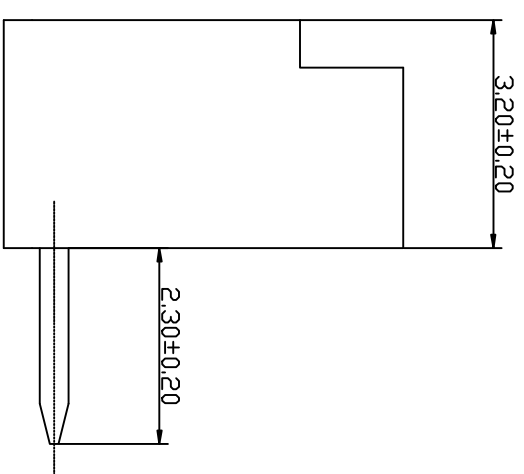
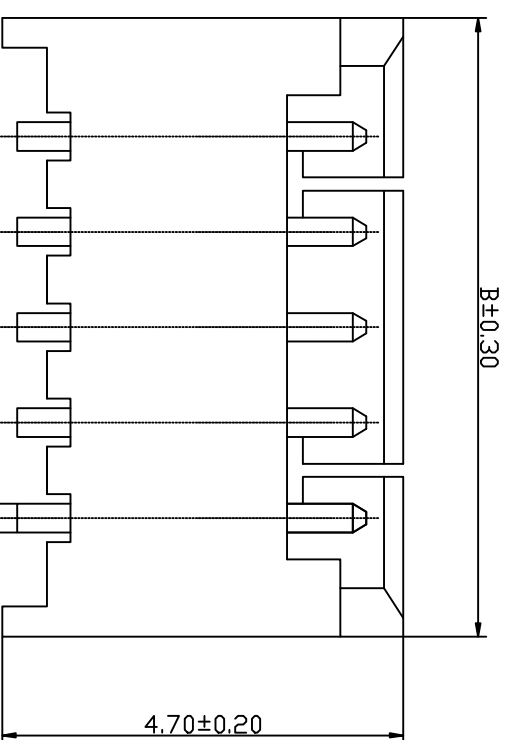
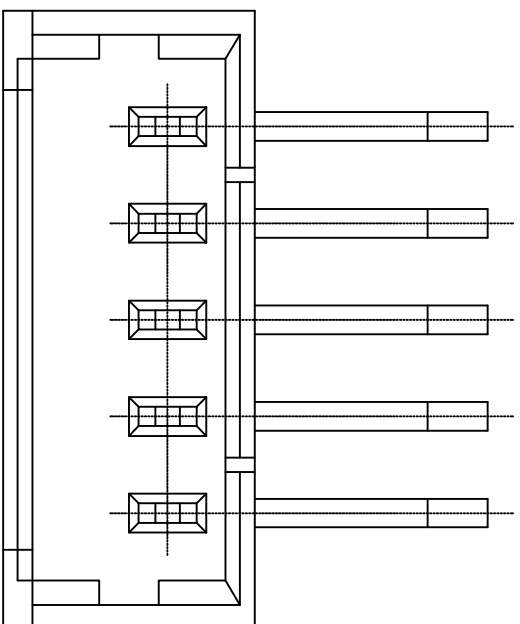
REV	ECN NO	LOCATIONS	DESCRIPTION	DATE	CHANGER
A			新版本	2016-04-21	李国常

SPECIFICATIONS

- Voltage rating: 125V AC, DC
- Current rating: 1A, AC, DC
- Withstanding Voltage: 500V AC/minute
- Insulation resistance: 100MΩ min
- Temperature range: -40℃~+85℃
- Contact resistance: 10MΩ max

WAFER

- Part No: W1251R-NP
- Poles: 02-15
- Material: Nylon 66 UL94V-0
- Ter Material: Phosphor Bronze /Tin-plated



Part No	Dimensions (mm)	
	A	B
W1251R-02	1.25	4.25
W1251R-03	2.50	5.50
W1251R-04	3.75	6.75
W1251R-05	5.00	8.00
W1251R-06	6.25	9.25
W1251R-07	7.50	10.50
W1251R-08	8.75	11.75
W1251R-09	10.00	13.00
W1251R-10	11.25	14.25
W1251R-11	12.50	15.50
W1251R-12	13.75	16.75
W1251R-13	15.00	18.00
W1251R-14	16.25	19.25
W1251R-15	17.50	20.50

KLT 深圳市康利通电子科技有限公司

成品规格图

TOLERANCE

0±0.30

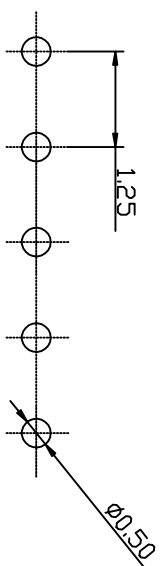
.0±0.25

.00±0.20

.000±0.015

VER No SIZE

A A4



P.C.B LAYOUT

4

4

B

C

D

E

F

1

B

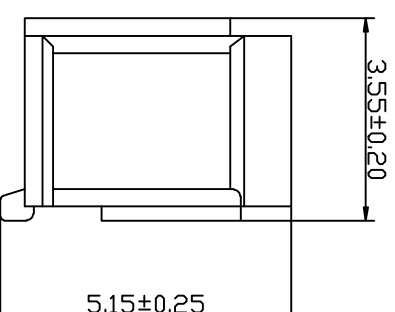
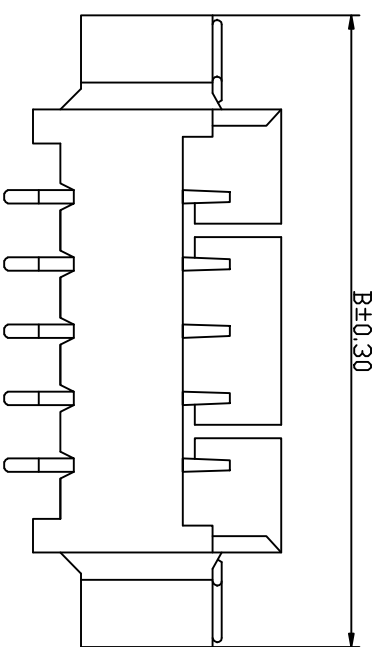
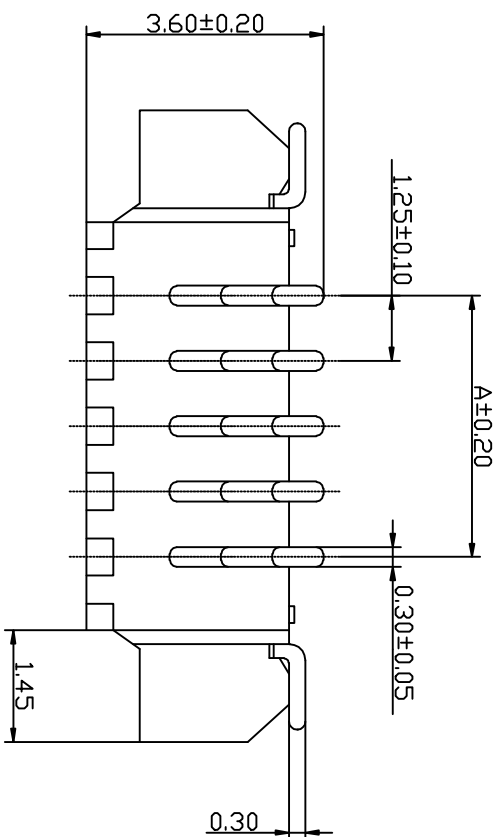
C

E

公差表

REV	ECN NO	LOCATIONS	DESCRIPTION	DATE	CHANGER
A			新版本	2016-04-21	李国常

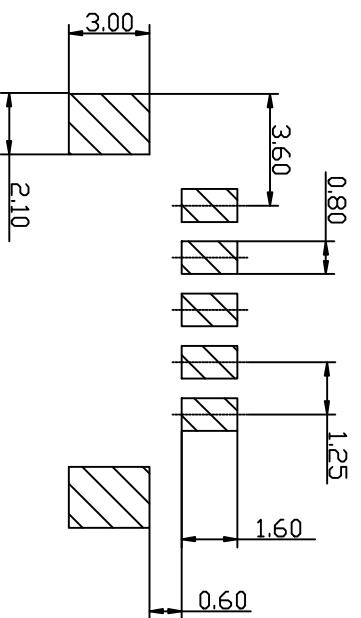
4



Part No	Dimensions (mm)	
	A	B
W1251SR-02	1.25	7.75
W1251SR-03	2.50	9.00
W1251SR-04	3.75	10.25
W1251SR-05	5.00	11.50
W1251SR-06	6.25	12.75
W1251SR-07	7.50	14.00
W1251SR-08	8.75	15.25
W1251SR-09	10.00	16.50
W1251SR-10	11.25	17.75
W1251SR-11	12.50	19.00
W1251SR-12	13.75	20.25
W1251SR-13	15.00	21.50
W1251SR-14	16.25	22.75
W1251SR-15	17.50	24.00
W1251SR-16	18.75	25.25

- SPECIFICATIONS**
- Voltage rating: 125V AC, DC
 - Current rating: 1A, AC, DC
 - Withstanding Voltage: 500V AC/minute
 - Insulation resistance: 100MΩ min
 - Temperature range: -40°C~+85°C
 - Contact resistance: 10MΩ max
- WAFER
- Part No: W1251SR-NP
 - Poles: 02-16
 - Material: Nylon 66 UL94V-0
 - Ter Material: Phosphor Bronze /Tin-plated

4



P.C.B LAYOUT

B

C

D

E

F

KLT 深圳市康利通电子科技有限公司

成品规格图

TOLERANCE

0±0.30

0±0.25

0.00±0.20

.000±0.015

VER No SIZE

A A4

1

TITLE	成品规格图		TOLERANCE	
CHECKED BY	DATE	SCALE	VER No	SIZE
	2016-04-21	1:1		
DRAWN BY	UNIT:mm		A	A4
李国常	PART No	W1251SR-NP		

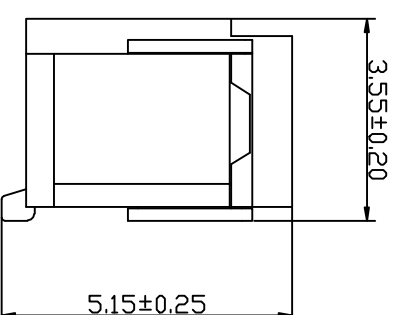
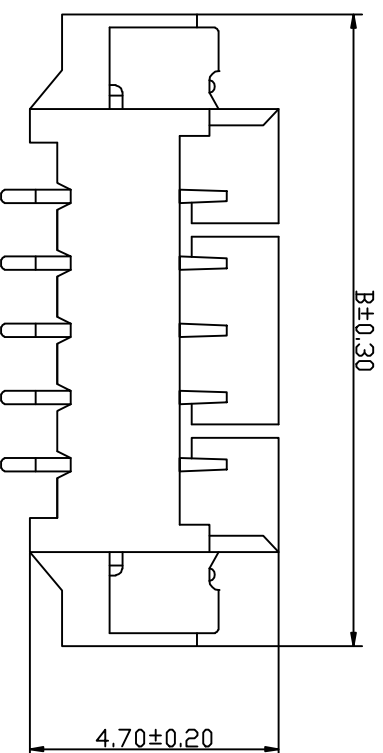
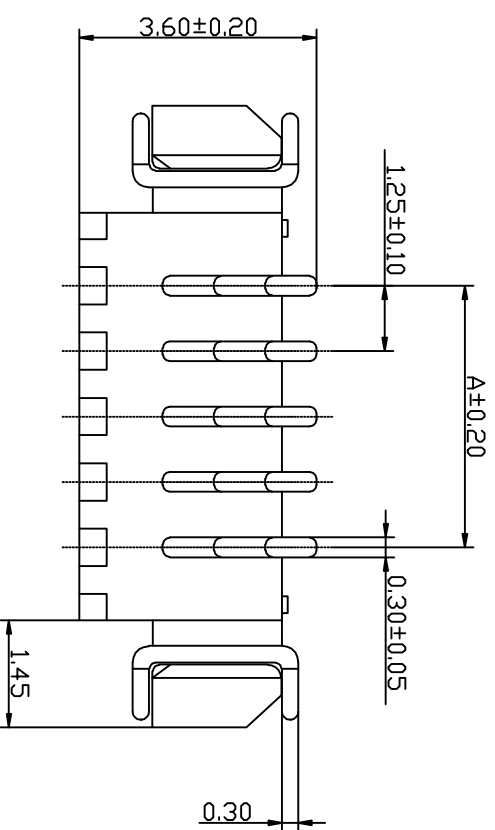
B

C

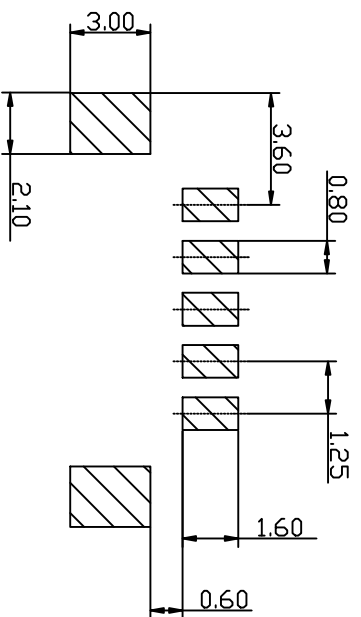
E

公差表

REV	ECN NO	LOCATIONS	DESCRIPTION	DATE	CHANGER
A			新版本	2016-04-21	李国常



Part No	Dimensions (mm)	
	A	B
W1251SR-02-1	1.25	7.75
W1251SR-03-1	2.50	9.00
W1251SR-04-1	3.75	10.25
W1251SR-05-1	5.00	11.50
W1251SR-06-1	6.25	12.75
W1251SR-07-1	7.50	14.00
W1251SR-08-1	8.75	15.25
W1251SR-09-1	10.00	16.50
W1251SR-10-1	11.25	17.75
W1251SR-11-1	12.50	19.00
W1251SR-12-1	13.75	20.25
W1251SR-13-1	15.00	21.50
W1251SR-14-1	16.25	22.75
W1251SR-15-1	17.50	24.00
W1251SR-16-1	18.75	25.25



P.C.B LAYOUT

KLT 深圳市康利通电子科技有限公司

成品规格图

TOLERANCE

0±0.30

.0±0.25

.00±0.20

.000±0.015

TITLE	成品规格图		TOLERANCE	
CHECKED BY	DATE	SCALE	VER No	SIZE
	2016-04-21	1:1	A	A4

DRAWN BY	UNIT:mm		A	A4
----------	---------	--	---	----

李国常	PART No	W1251SR-NP-1
-----	---------	--------------

4

4

B

C

D

E

F

1