

B

C

E

公差表

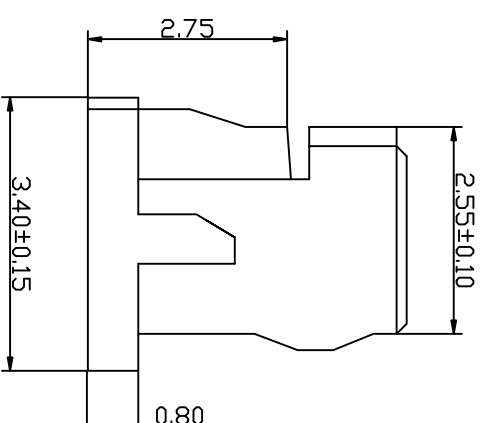
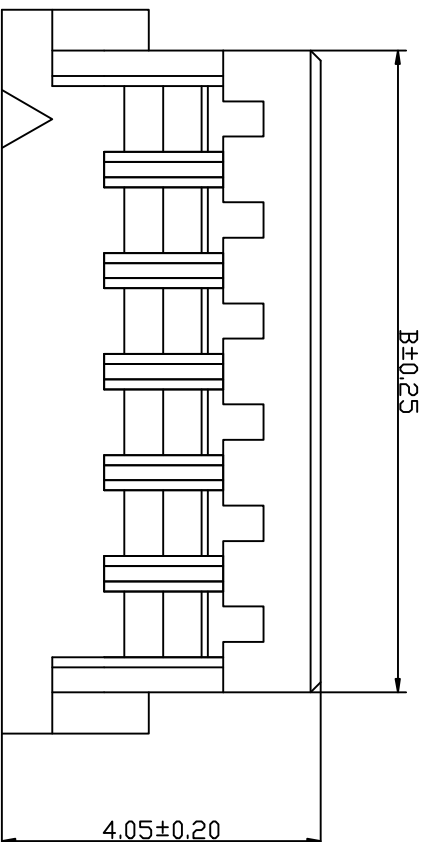
REV	ECN NO	LOCATIONS	DESCRIPTION	DATE	CHANGER
A			新版本	2016-04-23	李国常

**SPECIFICATIONS**

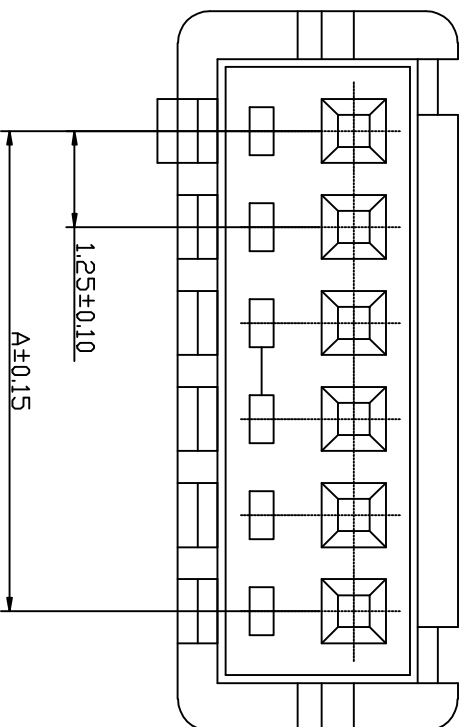
- Voltage rating: 125V AC, DC
- Current rating: 1A, AC, DC
- Withstanding Voltage: 500V AC/minute
- Insulation resistance: 100MΩ min
- Temperature range: -40℃~+85℃
- Contact resistance: 20MΩ max

**HOUSING**

- Part No: H1252-NP
- Poles: 02-15
- Material: Nylon 66 UL94V-0



Part No	Dimensions (mm)	
	A	B
H1252-02	1.25	4.15
H1252-03	2.50	5.40
H1252-04	3.75	6.65
H1252-05	5.00	7.90
H1252-06	6.25	9.15
H1252-07	7.50	10.40
H1252-08	8.75	11.65
H1252-09	10.00	12.90
H1252-10	11.25	14.15
H1252-11	12.50	15.40
H1252-12	13.75	16.65
H1252-13	15.00	17.90
H1252-14	16.25	19.15
H1252-15	17.50	20.40



**KLT** 深圳市康利通电子科技有限公司

成品规格图

TOLERANCE

0±0.30

.0±0.25

.00±0.20

.000±0.015

TITLE	成品规格图		TOLERANCE	
CHECKED BY	DATE	SCALE	VER No	SIZE
DRAWN BY	UNIT:mm	1:1	A	A4
李国常	2016-04-23			
PART No	H1252-NP			

4

4

B

C

D

E

F

1

B

C

E

公差表

REV	ECN NO	LOCATIONS	DESCRIPTION	DATE	CHANGER
A			新版本	2016-04-23	李国常

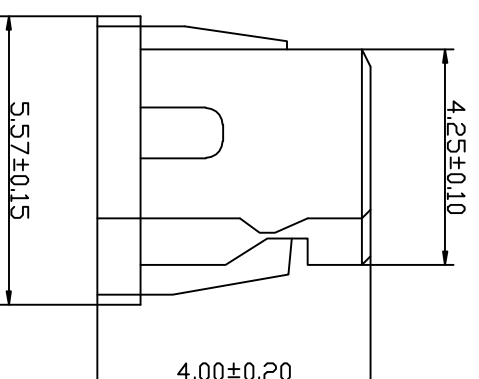
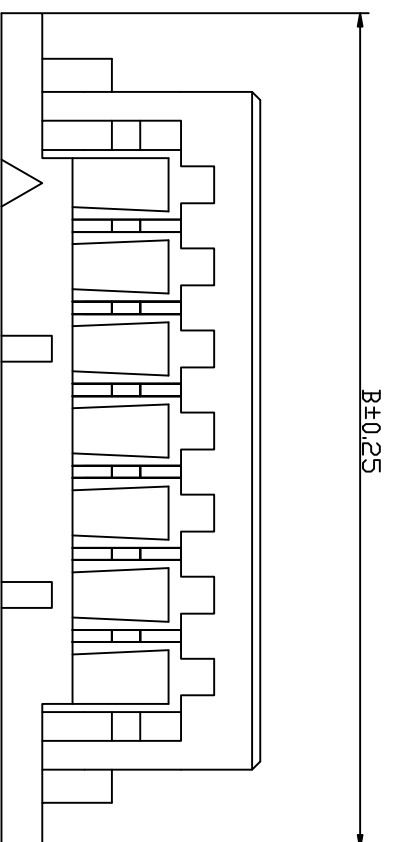
**SPECIFICATIONS**

- Voltage rating: 125V AC,DC
- Current rating: 1A, AC, DC
- Withstanding Voltage: 500V AC/minute
- Insulation resistance: 100MΩ min
- Temperature range: -40℃~+85℃
- Contact resistance: 20MΩ max

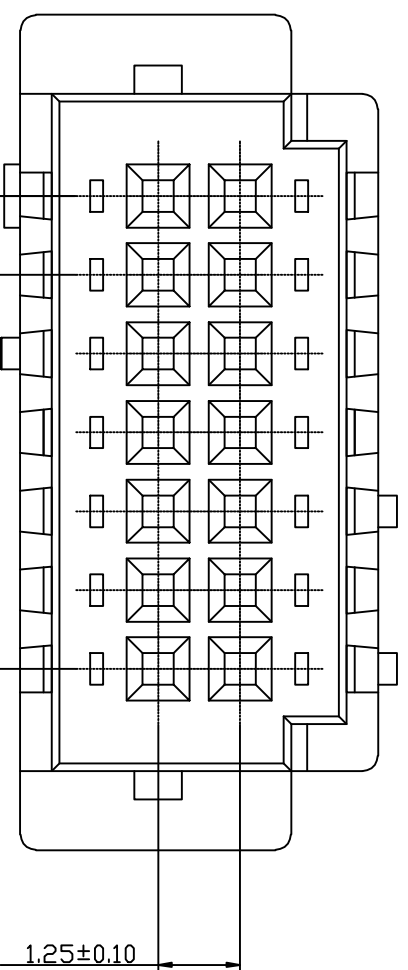
**HOUSING**

- Part No: H1252-2\*NP
- Poles: 10-40
- Material: Nylon 66 UL94V-0

4



Part No	Dimensions (mm)	
	A	B
H1252-2*05	5.00	10.45
H1252-2*07	7.50	12.95
H1252-2*10	11.25	16.70
H1252-2*15	17.50	22.95
H1252-2*20	23.75	29.20



**KLT** 深圳市康利通电子科技有限公司

TITLE

成品规格图

TOLERANCE

0±0.30

.0±0.25

.00±0.20

CHECKED BY

DATE

SCALE

.000±0.015

DRAWN BY

UNIT:mm

1:1

VER No

SIZE

李国常

PART No

H1252-2\*NP

A

A4

李国常

PART No

H1252-2\*NP

B

C

D

E

F

1

4

B

C

E

公差表

REV	ECN NO	LOCATIONS	DESCRIPTION	DATE	CHANGER
A			新版本	2016-04-23	李国常

**SPECIFICATIONS**

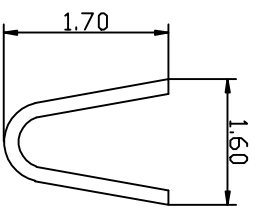
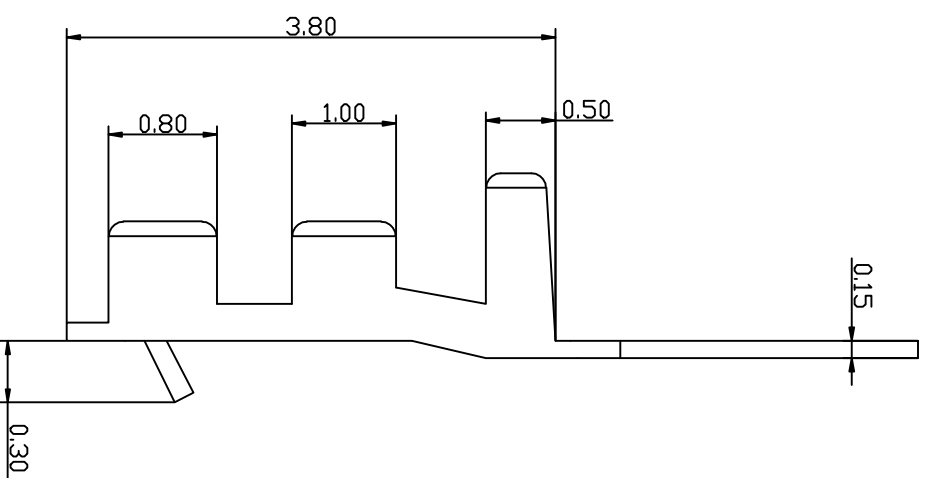
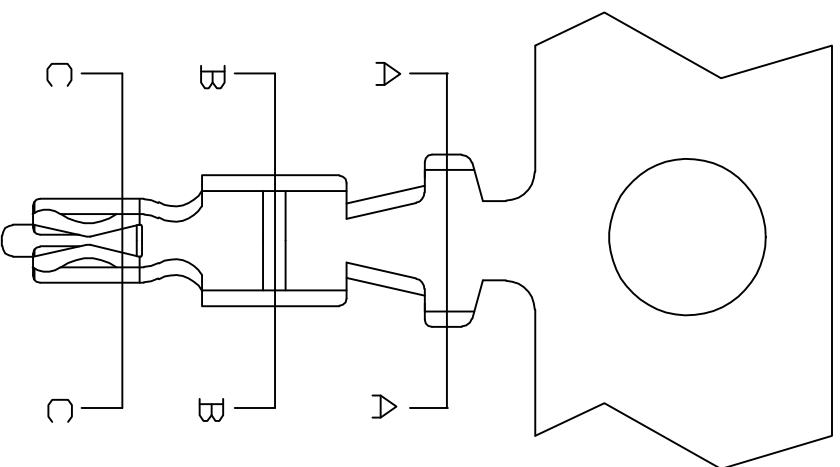
- Voltage rating: 150V AC, DC
- Current rating: 1A, AC, DC
- Withstanding Voltage: 500V AC/minute
- Insulation resistance: 500MΩ min
- Temperature range: -40℃~+85℃
- Contact resistance: 50MΩ max

**TERMINAL**

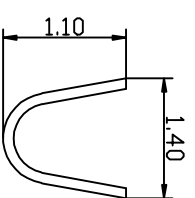
- Part No: T1252PT
- Applicable wire: AWG#26-#30
- Material: Phosphor Bronze
- Finish: Tin Plated

4

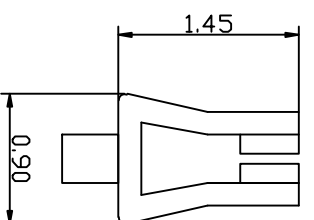
4



SEC: A-A



SEC: B-B



SEC: C-C

**KLT** 深圳市康利通电子科技有限公司

成品规格图

Tolerance

0±0.30

.0±0.25

.00±0.20

.000±0.015

1

TITLE

CHECKED BY

DATE 2016-04-23

DRAWN BY

李国常

SCALE 1:1

VER No

UNIT:mm

PART No

T1252PT

B

C

D

E

F

B

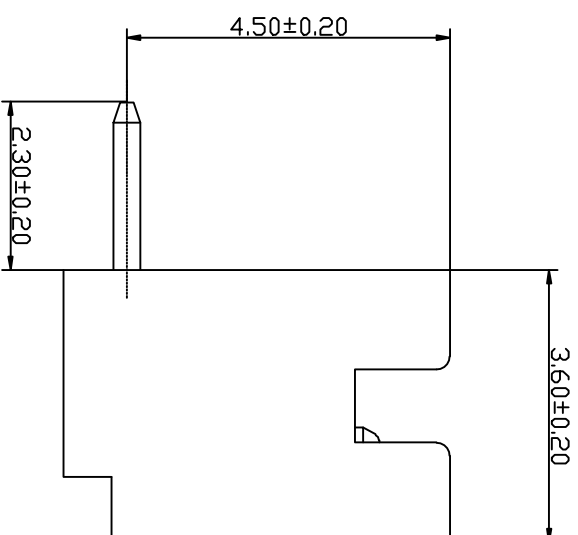
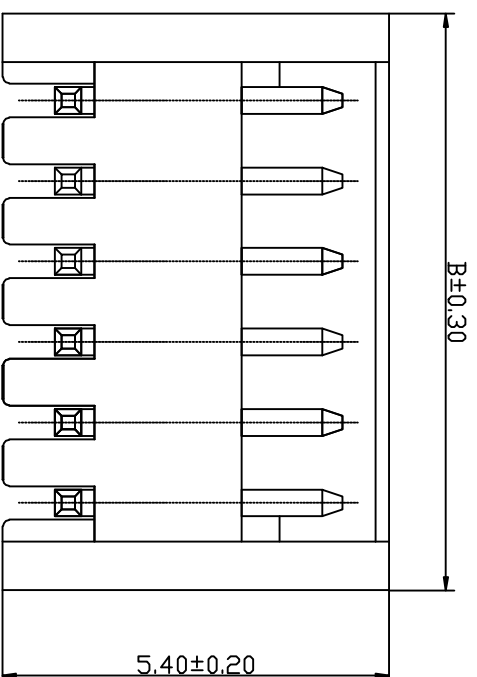
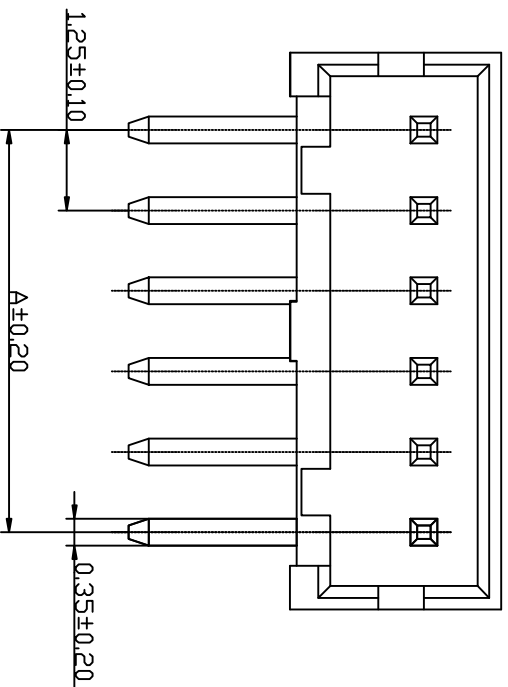
C

E

公差表

REV	ECN NO	LOCATIONS	DESCRIPTION	DATE	CHANGER
A			新版本	2016-04-23	李国常

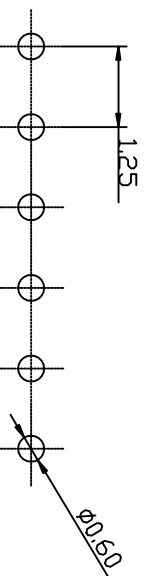
4



Part No	Dimensions (mm)	
	A	B
W1252R-02	1.25	3.75
W1252R-03	2.50	5.00
W1252R-04	3.75	6.25
W1252R-05	5.00	7.50
W1252R-06	6.25	8.75
W1252R-07	7.50	10.00
W1252R-08	8.75	11.25
W1252R-09	10.00	12.50
W1252R-10	11.25	13.75
W1252R-11	12.50	15.00
W1252R-12	13.75	16.25
W1252R-13	15.00	17.50
W1252R-14	16.25	18.75
W1252R-15	17.50	20.00

- SPECIFICATIONS**
- Voltage rating: 125V AC, DC
  - Current rating: 1A, AC, DC
  - Withstanding Voltage: 500V AC/minute
  - Insulation resistance: 100MΩ min
  - Temperature range: -40°C~+85°C
  - Contact resistance: 10MΩ max
- WAFER
- Part No: W1252R-NP
  - Poles: 02-15
  - Material: Nylon 66 UL94V-0
  - Ter Material: Brass /Tin-plated

4



P.C.B LAYOUT

**KLT** 深圳市康利通电子科技有限公司

成品规格图

TOLERANCE

0±0.30

.0±0.25

.00±0.20

.000±0.015

1

TITLE	成品规格图		TOLERANCE	
CHECKED BY	DATE	SCALE	VER No	SIZE
	2016-04-23	1:1	A	A4

DRAWN BY	UNIT:mm	DRAWING SYMBOL	
李国常			

PART NO	W1252R-NP		
---------	-----------	--	--

B

C

D

E

F

B

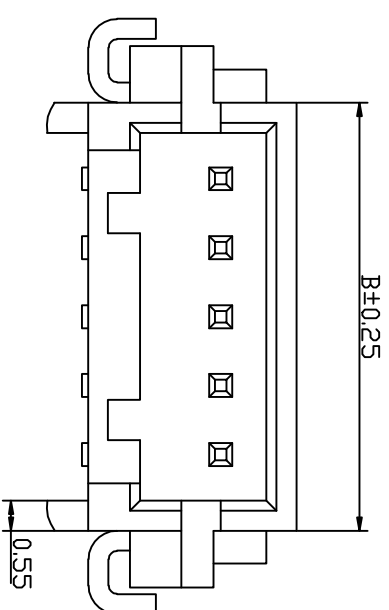
C

E

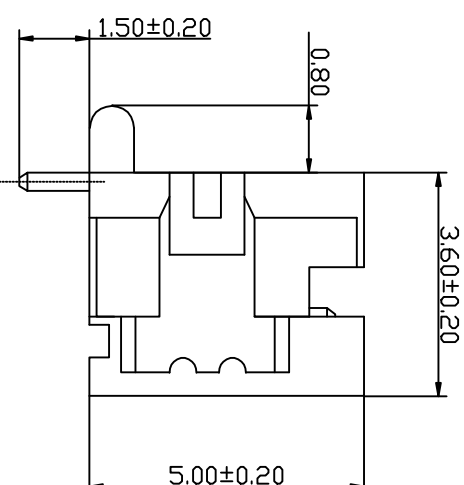
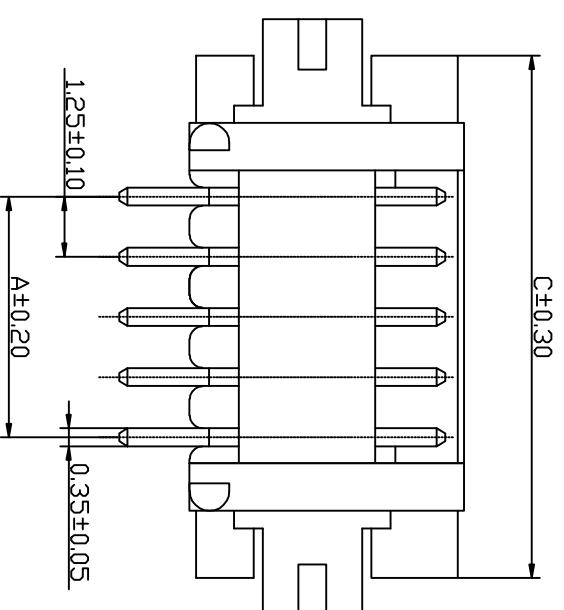
公差表

REV	ECN NO	LOCATIONS	DESCRIPTION	DATE	CHANGER
A			新版本	2016-04-23	李国常

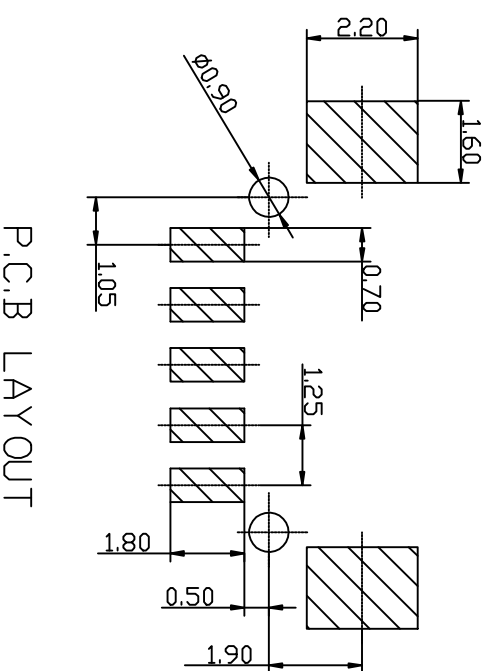
4



4



Part No	Dimensions (mm)		
	A	B	C
W1252SR-02	1.25	4.15	6.25
W1252SR-03	2.50	5.40	7.50
W1252SR-04	3.75	6.65	8.75
W1252SR-05	5.00	7.90	10.00
W1252SR-06	6.25	9.15	11.25
W1252SR-07	7.50	10.40	12.50
W1252SR-08	8.75	11.65	13.75
W1252SR-09	10.00	12.90	15.00
W1252SR-10	11.25	14.15	16.25
W1252SR-11	12.50	15.40	17.50
W1252SR-12	13.75	16.65	18.75
W1252SR-13	15.00	17.90	20.00
W1252SR-14	16.25	19.15	21.25
W1252SR-15	17.50	20.40	22.50



P.C.B LAYOUT

**KLT** 深圳市康利通电子科技有限公司

TOCERANCE

0±0.30

.0±0.25

.00±0.20

.000±0.015

VER No SIZE

A A4

TITLE	成品规格图	SCALE	VER No	SIZE
CHECKED BY	DATE	1:1		
DRAWN BY	UNIT:mm			
PART No	W1252SR-NP			

李国常

PART No

W1252SR-NP

B

C

D

E

F

1

B

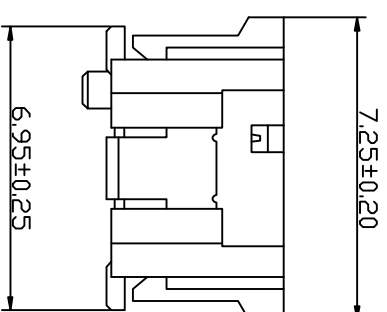
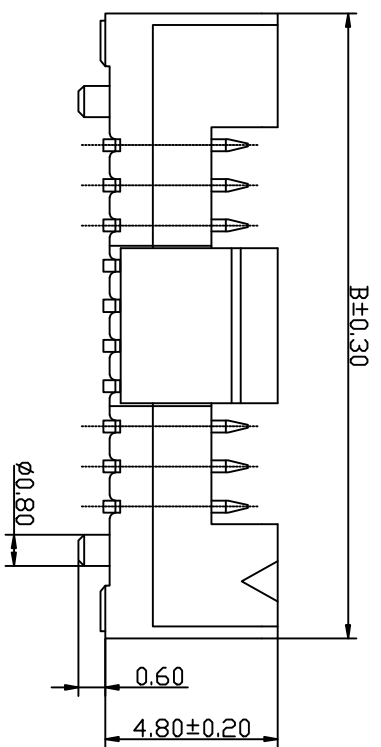
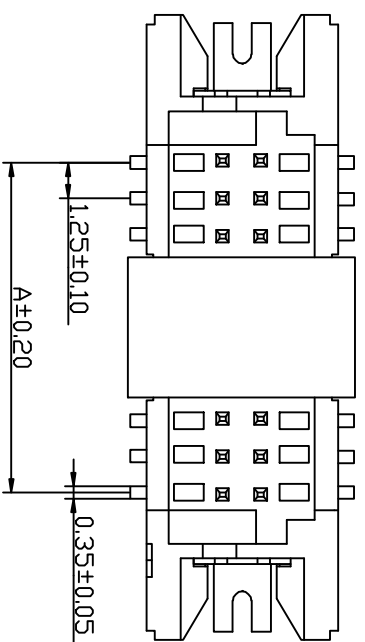
C

E

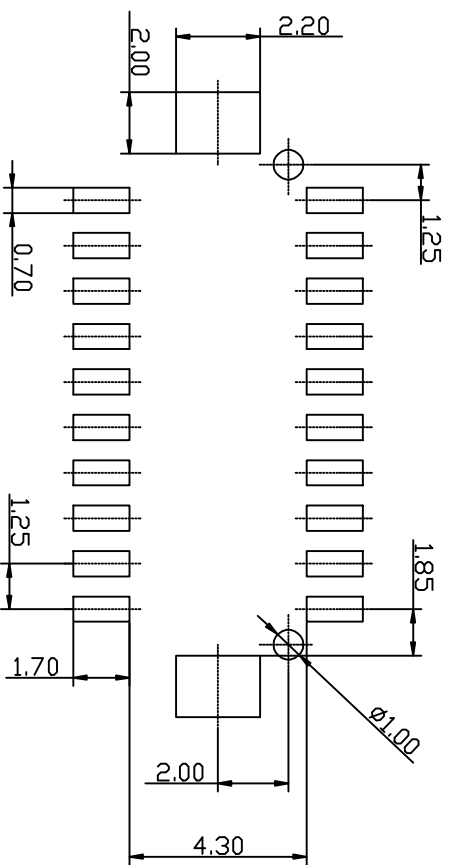
公差表

REV	ECN NO	LOCATIONS	DESCRIPTION	DATE	CHANGER
A			新版本	2016-04-23	李国常

4



Part No	Dimensions (mm)	
	A	B
H1252SV-2*05	5.00	12.50
H1252SV-2*07	7.50	15.00
H1252SV-2*10	11.25	18.75
H1252SV-2*15	17.50	25.00
H1252SV-2*20	23.75	31.25



P.C.B LAYOUT

**KLT** 深圳市康利通电子科技有限公司

成品规格图

TOLERANCE

0±0.30

.0±0.25

.00±0.20

.000±0.015

TITLE	DATE		SCALE	VER No	SIZE
CHECKED BY	2016-04-23		1:1		
DRAWN BY	UNIT:mm			A	A4
李国常	PART No	W1252SV-2*NP			

B

C

D

E

F

4

1

B

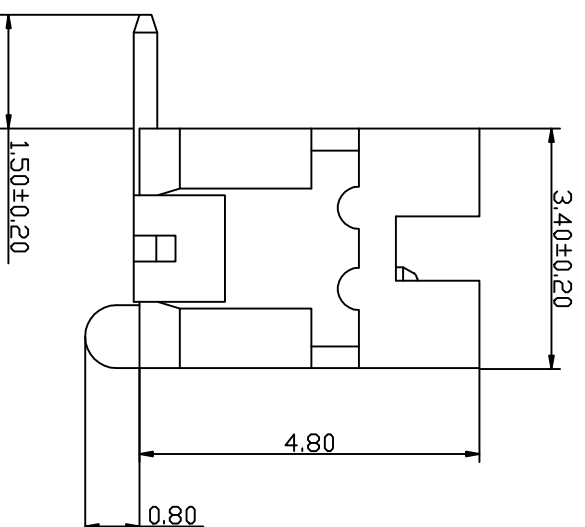
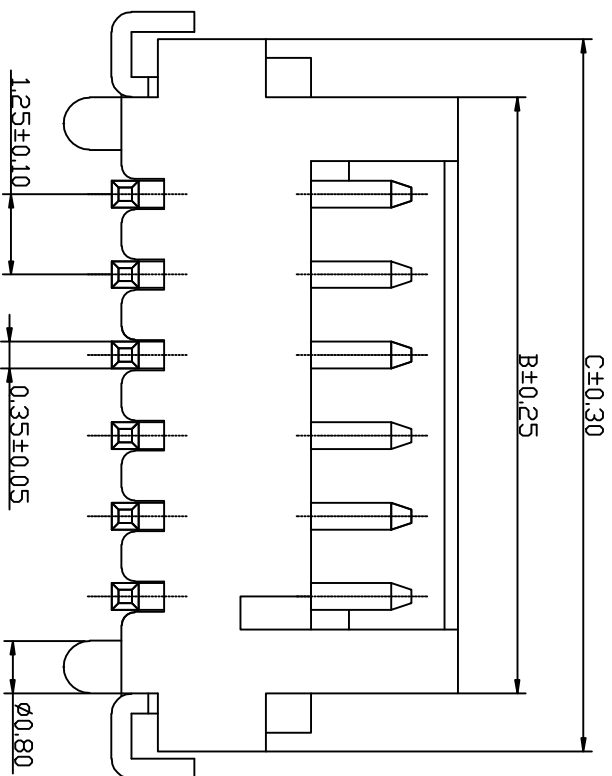
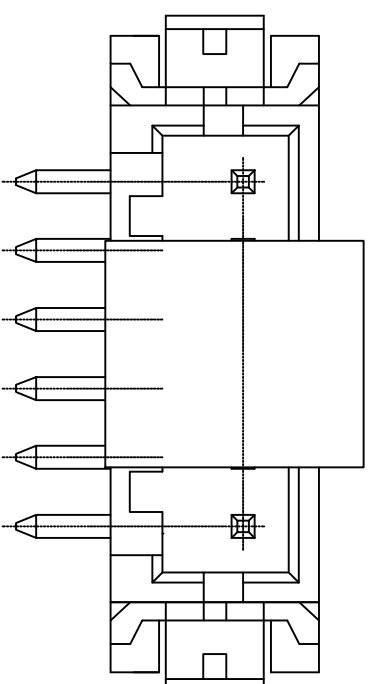
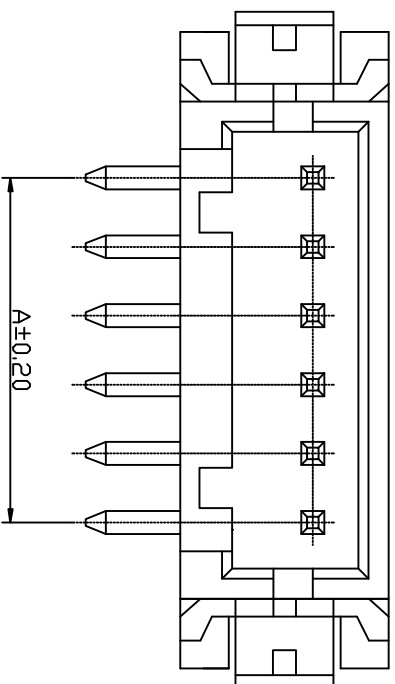
C

E

公差表

REV	ECN NO	LOCATIONS	DESCRIPTION	DATE	CHANGER
A			新版本	2016-04-23	李国常

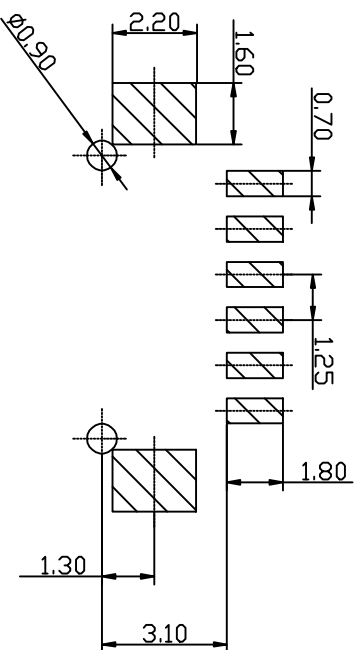
4



Part No	Dimensions (mm)		
	A	B	C
W1252SV-02	1.25	4.15	6.25
W1252SV-03	2.50	5.40	7.50
W1252SV-04	3.75	6.65	8.75
W1252SV-05	5.00	7.90	10.00
W1252SV-06	6.25	9.15	11.25
W1252SV-07	7.50	10.40	12.50
W1252SV-08	8.75	11.65	13.75
W1252SV-09	10.00	12.90	15.00
W1252SV-10	11.25	14.15	16.25
W1252SV-11	12.50	15.40	17.50
W1252SV-12	13.75	16.65	18.75
W1252SV-13	15.00	17.90	20.00
W1252SV-14	16.25	19.15	21.25
W1252SV-15	17.50	20.40	22.50

- SPECIFICATIONS**
- Voltage rating: 125V AC, DC
  - Current rating: 1A, AC, DC
  - Withstanding Voltage: 500V AC/minute
  - Insulation resistance: 100MΩ min
  - Temperature range: -40°C~+85°C
  - Contact resistance: 10MΩ max

- WAFER**
- Part No: W1252SV-NP
  - Poles: 02-15
  - Material: Nylon 6T UL94V-0
  - Ter Material: Brass /Tin-plated



P.C.B LAYOUT

**KLT** 深圳市康利通电子科技有限公司

成品规格图

TOCERANCE

0±0.30

.0±0.25

.00±0.20

.000±0.015

TITLE	成品规格图		TOCERANCE	
CHECKED BY	DATE	SCALE	VER No	SIZE
DRAWN BY	UNIT:mm	1:1	A	A4
PART No	W1252SV-NP			

李国常	PART No	W1252SV-NP		
-----	---------	------------	--	--

4

B

C

D

E

F

1

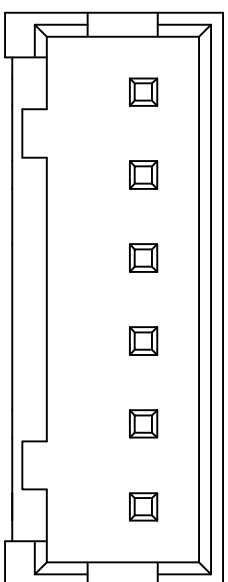
B

C

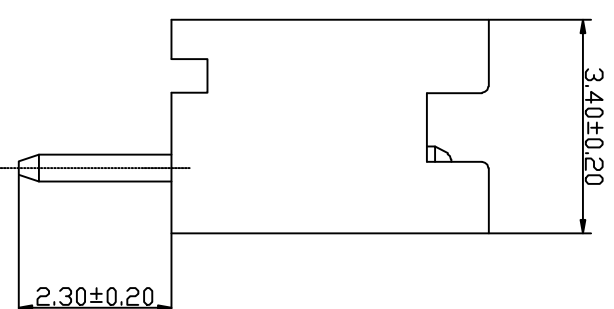
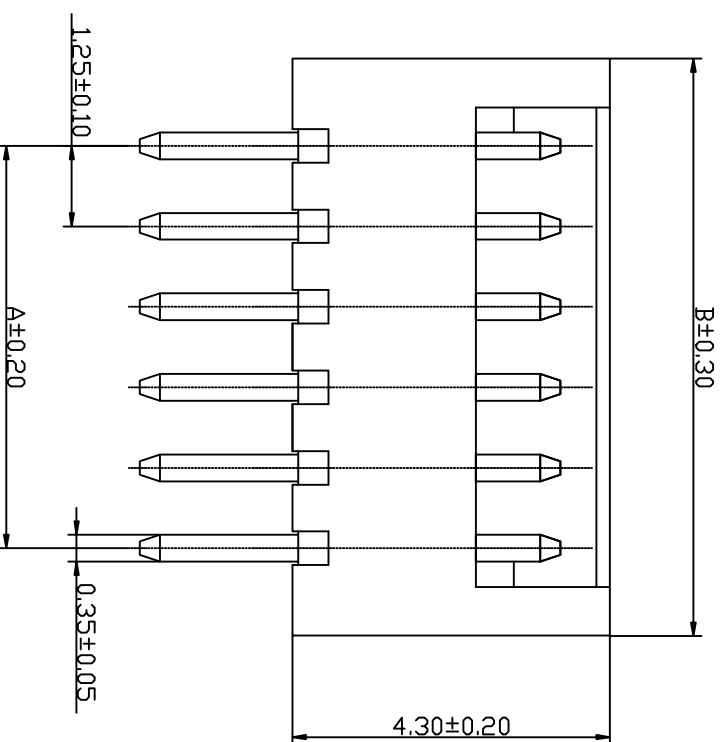
E

公差表

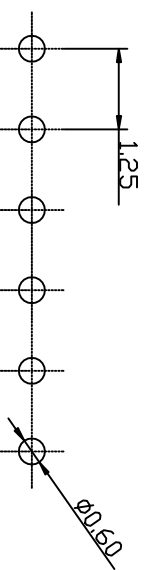
REV	ECN NO	LOCATIONS	DESCRIPTION	DATE	CHANGER
A			新版本	2016-04-23	李国常



4



Part NO	Dimensions (mm)	
	A	B
W1252V-02	1.25	3.75
W1252V-03	2.50	5.00
W1252V-04	3.75	6.25
W1252V-05	5.00	7.50
W1252V-06	6.25	8.75
W1252V-07	7.50	10.00
W1252V-08	8.75	11.25
W1252V-09	10.00	12.50
W1252V-10	11.25	13.75
W1252V-11	12.50	15.00
W1252V-12	13.75	16.25
W1252V-13	15.00	17.50
W1252V-14	16.25	18.75
W1252V-15	17.50	20.00



P.C.B LAYOUT

B

C

D

E

F

**KLT** 深圳市康利通电子科技有限公司

成品规格图

TOLERANCE

0±0.30

.0±0.25

.00±0.20

.000±0.015

TITLE	成品规格图		TOLERANCE	
CHECKED BY	DATE	SCALE	VER No	SIZE
	2016-04-23	1:1	A	A4
DRAWN BY	UNIT:mm			
李国常	PART NO	W1252V-NP		

1

4