

B

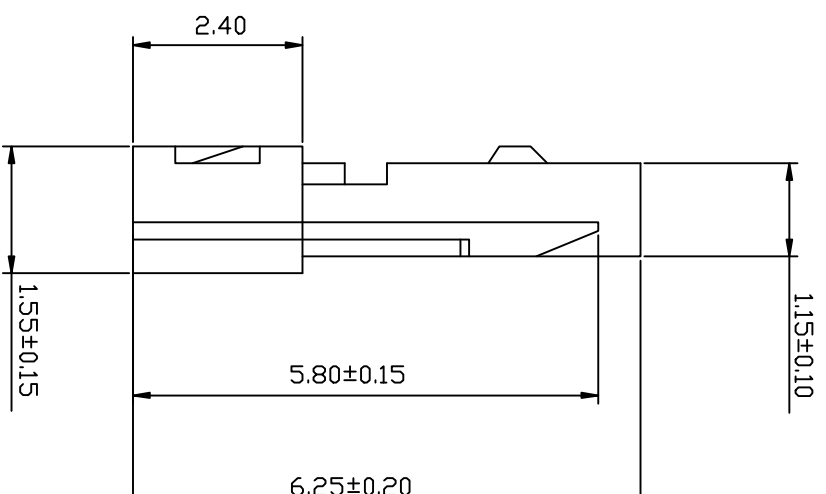
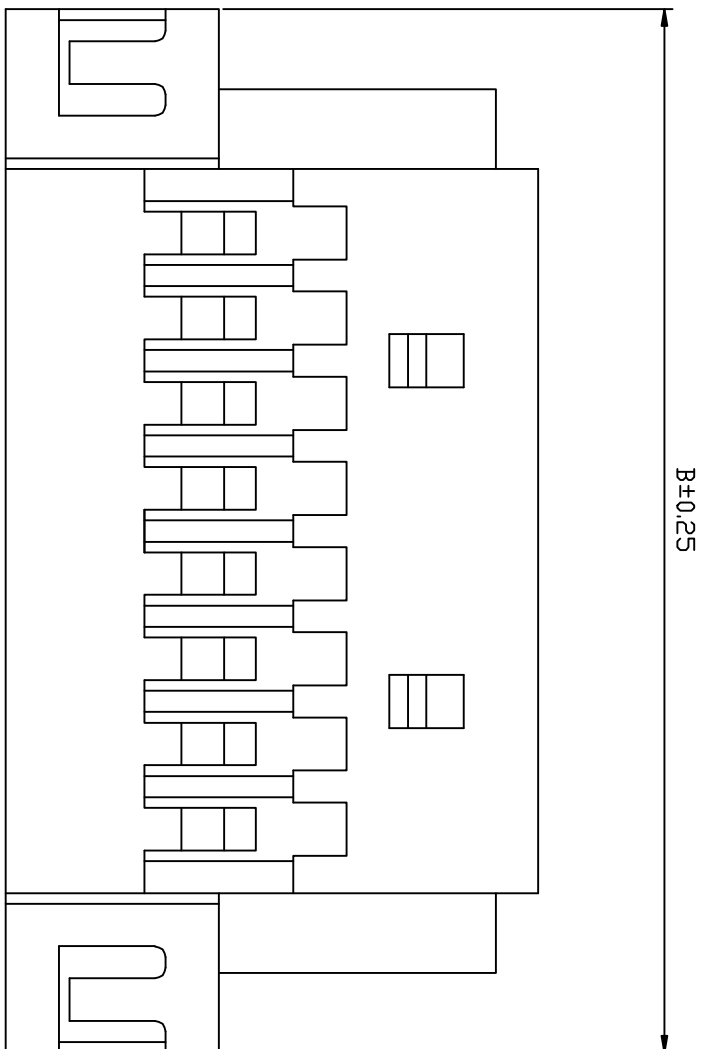
C

E

公差表

REV	ECN NO	LOCATIONS	DESCRIPTION	DATE	CHANGER
A			新版本	2016-04-01	李国常

4



4

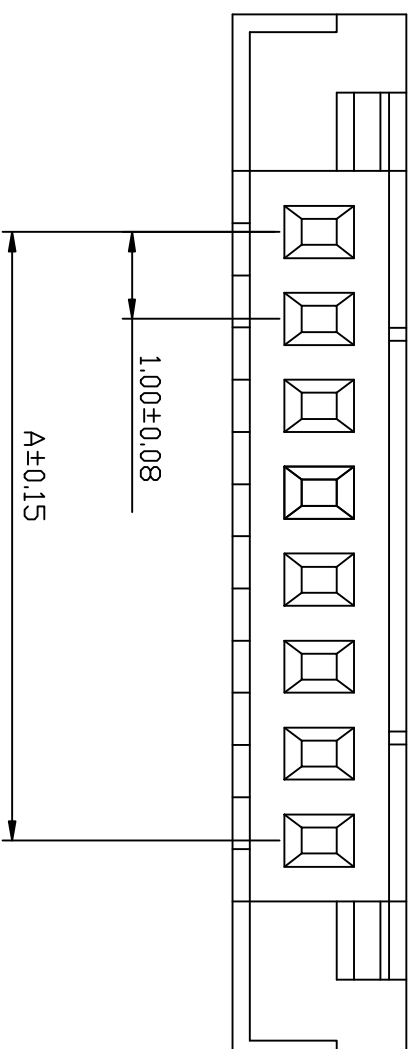
**SPECIFICATIONS**

- Voltage rating: 200V AC, DC
- Current rating: 1A, AC, DC
- Withstanding Voltage: 500V AC/minute
- Insulation resistance: 100MΩ min
- Temperature range: -40℃~+85℃
- Contact resistance: 20MΩ max

**HOUSING**

- Part No: H1007-NP
- Poles: 08-30
- Material: Nylon 46 UL 94V-0

Part No	Dimensions (mm)	
	A	B
H1007-08	7.00	11.50
H1007-14	13.00	17.50
H1007-20	19.00	23.50
H1007-30	29.00	33.50



1

**KLT** 深圳市康利通电子科技有限公司

**成品规格图**

**TOLERANCE**

- $0 \pm 0.30$
- $.0 \pm 0.25$
- $.00 \pm 0.20$
- $.000 \pm 0.015$

TITLE	成品规格图		TOLERANCE	
CHECKED BY	DATE	SCALE	VER No	SIZE
DRAWN BY	UNIT:mm	1:1	A	A4
李国常	2016-04-01			
PART No	H1007-NP			

B

C

D

E

F

B

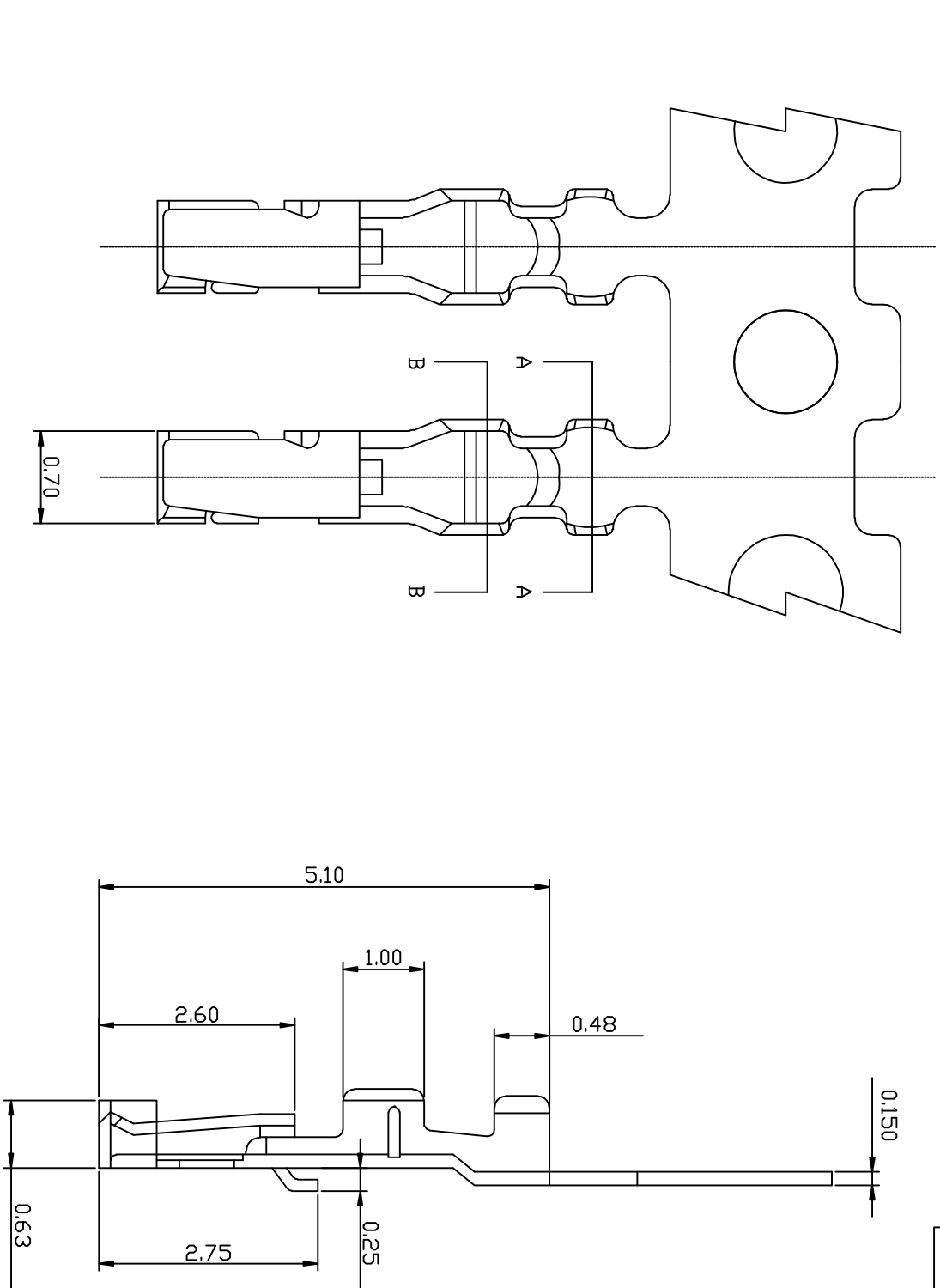
C

E

公差表

REV	ECN NO	LOCATIONS	DESCRIPTION	DATE	CHANGER
A			新版本	2016-04-01	李国常

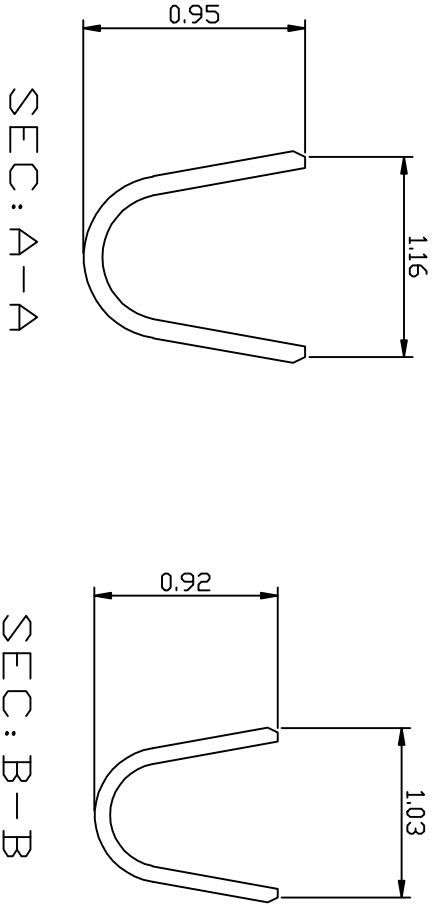
4



4

- SPECIFICATIONS**
- Voltage rating: 50V AC, DC
  - Current rating: 1A, AC, DC
  - Withstanding Voltage: 500V AC/minute
  - Insulation resistance: 100MΩ min
  - Temperature range: -40°C~+85°C
  - Contact resistance: 20MΩ max

- TERMINAL**
- Part No: T1007PG
  - Applicable wire: AWG#28-#32
  - Material: Phosphor Bronze
  - Finish: Gold-flash



**KLT** 深圳市康利通电子科技有限公司

成品规格图

TOCERANCE

0±0.30

.0±0.25

.00±0.20

.000±0.015

TITLE	DATE	SCALE	VER No	SIZE
CHECKED BY	2016-04-01	1:1		
DRAWN BY	UNIT:mm		A	A4
李国常	PART No	T1007PG		

B

C

D

E

F

1

B

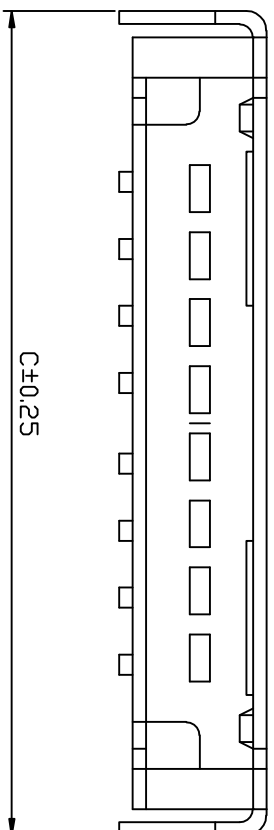
C

E

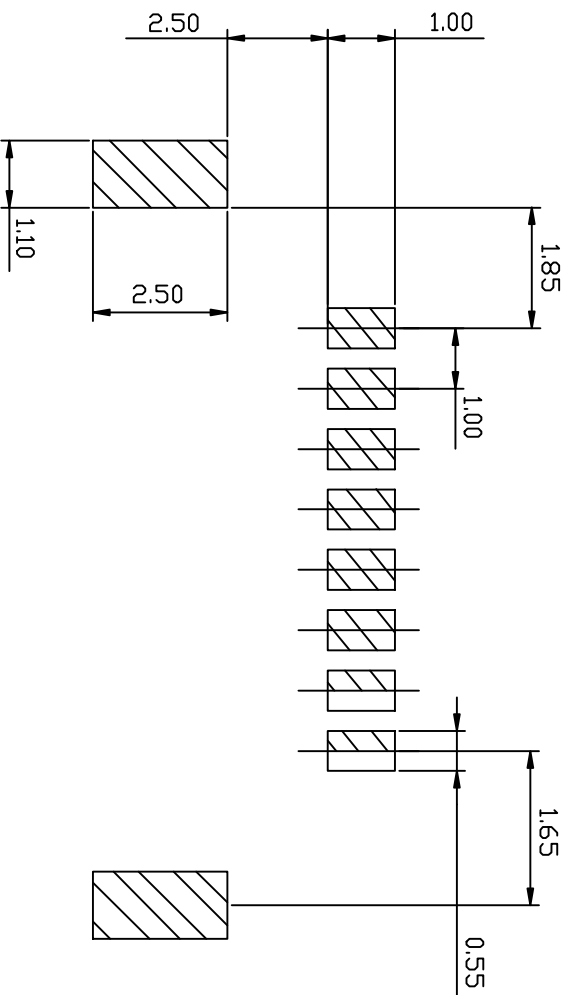
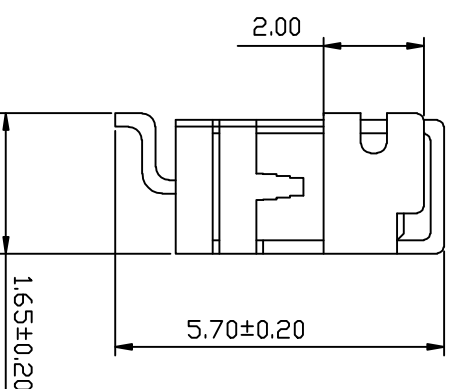
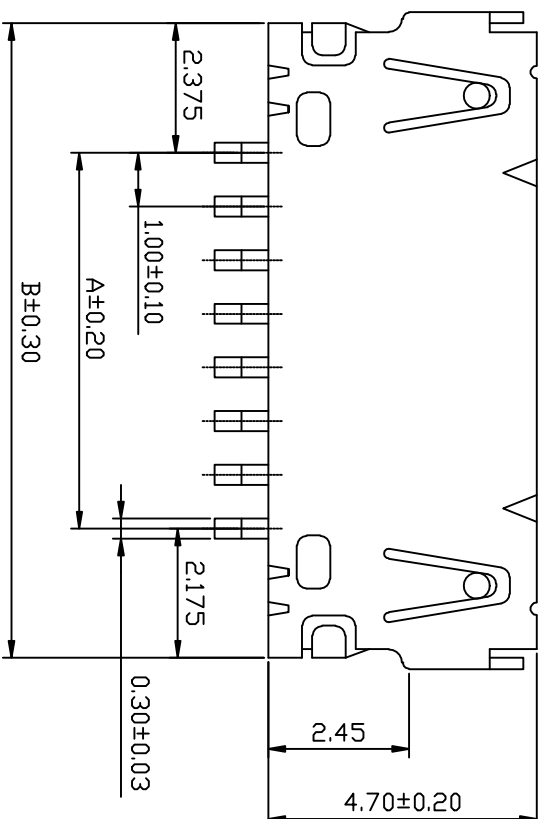
公差表

REV	ECN NO	LOCATIONS	DESCRIPTION	DATE	CHANGER
A			新版本	2016-04-01	李国常

4



4



- SPECIFICATIONS**
- Voltage rating: 100V AC, DC
  - Current rating: 1A, AC, DC
  - Withstanding Voltage: 500V AC/minute
  - Insulation resistance: 500MΩ min
  - Temperature range: -40℃~+85℃
  - Contact resistance: 20MΩ max

**WAFER**

- Part No: W1007SR-NP
- Poles: 08, 14, 20, 30
- Material: Nylon 6T UL94V-0
- Ter Material: Phosphor Bronze /Gold-flash

Part No	Dimensions (mm)		
	A	B	C
W1007SR-08	7.00	11.55	11.95
W1007SR-14	13.00	17.55	17.95
W1007SR-20	19.00	23.55	23.95
W1007SR-30	29.00	33.55	33.95

**KLT** 深圳市康利通电子科技有限公司

**成品规格图**

**TOLERANCE**

0±0.30

.0±0.25

.00±0.20

.000±0.015

TITLE	成品规格图		SCALE		VER No	SIZE
CHECKED BY	DATE	2016-04-01	1:1	A	A4	
DRAWN BY	UNIT:mm					
李国常	PART No	W1007SR-NP				

1

B

C

D

E

F