

B

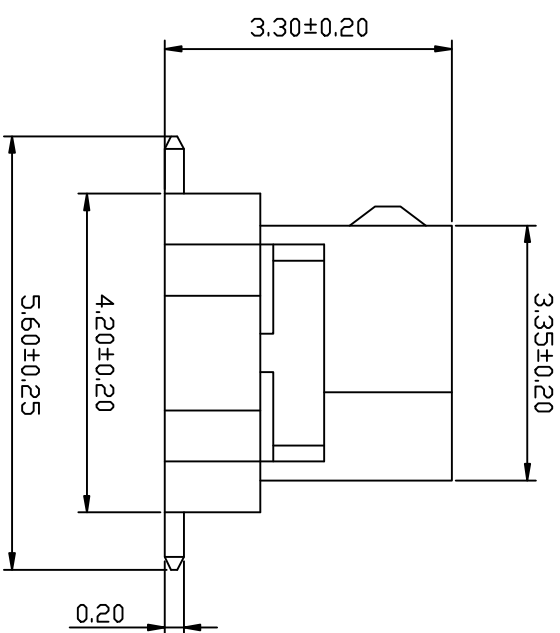
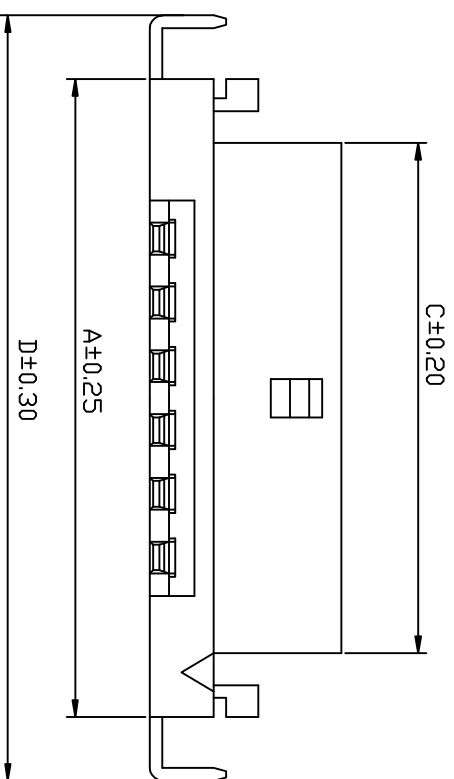
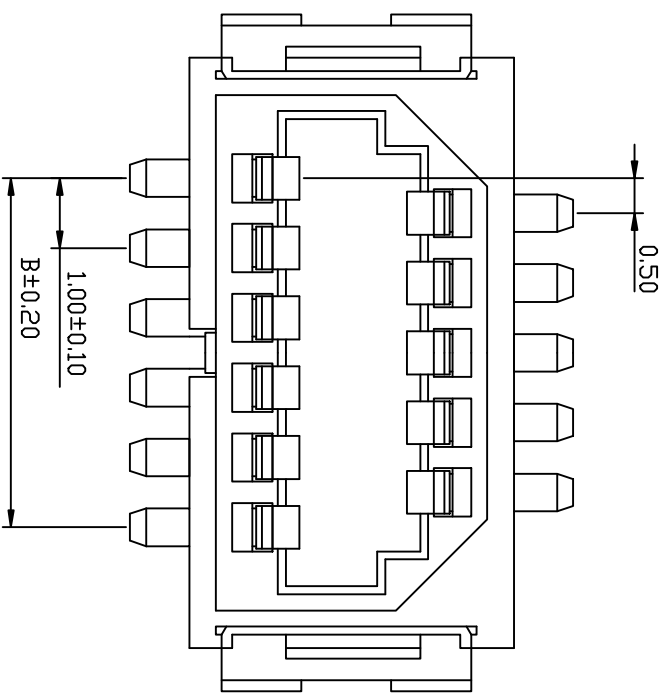
C

E

公差表

| REV | ECN NO | LOCATIONS | DESCRIPTION | DATE | CHANGER |
|-----|--------|-----------|-------------|------------|---------|
| A | | | 新版本 | 2016-04-06 | 李国常 |

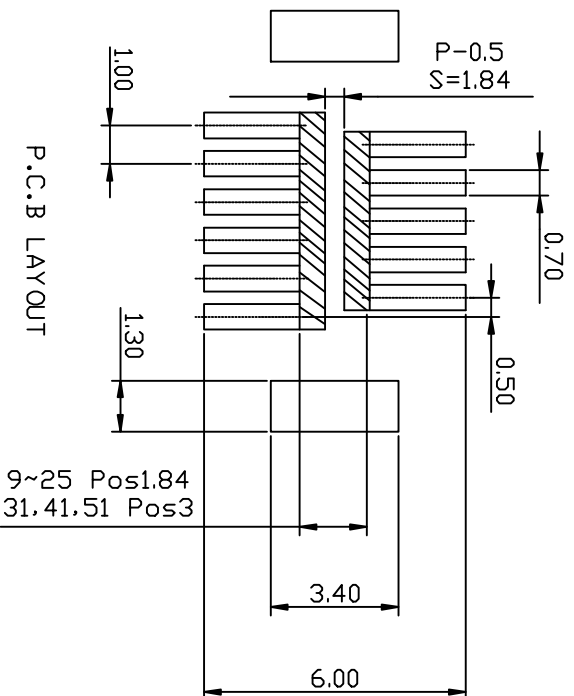
4



- SPECIFICATIONS**
- Voltage rating: 150V AC, DC
 - Current rating: 0.5A, AC, DC
 - Withstanding Voltage: 500V AC/minute
 - Insulation resistance: 500MΩ min
 - Temperature range: -40°C~+85°C
 - Contact resistance: 20MΩ max

- WAFER**
- Part No: W1002SV-NP
 - Poles: 09-51
 - Material: Nylon 6T UL94V-0
 - Ter Material: Brass /Tin-plated

| Part No | Dimensions (mm) | | | |
|------------|-----------------|-------|-------|-------|
| | A | B | C | D |
| W1002SV-09 | 8.30 | 4.00 | 6.55 | 10.10 |
| W1002SV-11 | 9.30 | 5.00 | 7.55 | 11.10 |
| W1002SV-13 | 10.30 | 6.00 | 8.55 | 12.10 |
| W1002SV-15 | 11.30 | 7.00 | 9.55 | 13.10 |
| W1002SV-17 | 12.30 | 8.00 | 10.55 | 14.10 |
| W1002SV-19 | 13.30 | 9.00 | 11.55 | 15.10 |
| W1002SV-21 | 14.30 | 10.00 | 12.55 | 16.10 |
| W1002SV-23 | 15.30 | 11.00 | 13.55 | 17.10 |
| W1002SV-25 | 16.30 | 12.00 | 14.55 | 18.10 |
| W1002SV-31 | 19.30 | 15.00 | 17.55 | 21.10 |
| W1002SV-41 | 24.30 | 20.00 | 22.55 | 26.10 |
| W1002SV-51 | 29.30 | 25.00 | 27.55 | 31.10 |



KLIT 深圳市康利通电子科技有限公司

成品规格图

TO CERANCE

0±0.30

.0±0.25

.00±0.20

.000±0.015

VER No SIZE

A A4

| | | | | | | | | | |
|------------|---------|------------|-------|-----|--------|--------|------|------|----|
| TITLE | 成品规格图 | | SCALE | | 1:1 | VER No | A | SIZE | A4 |
| CHECKED BY | DATE | 2016-04-06 | SCALE | 1:1 | VER No | A | SIZE | A4 | |
| DRAWN BY | UNIT:mm | | | | | | | | |
| 李国常 | PART NO | W1002SV-NP | | | | | | | |

B

C

D

E

F

1

4

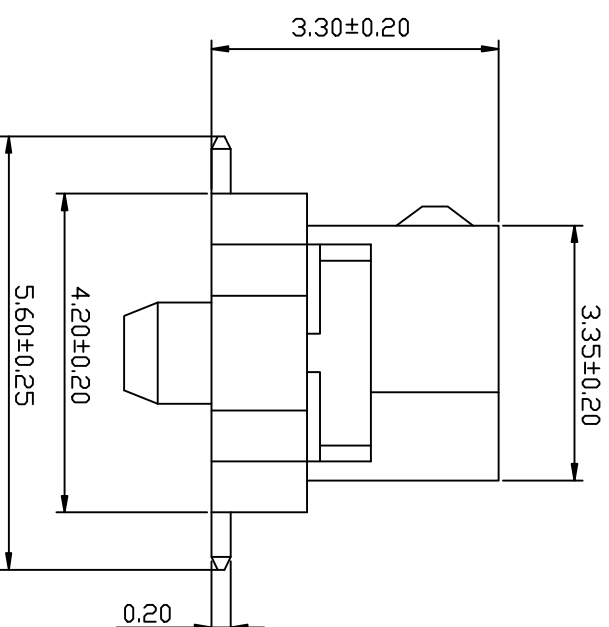
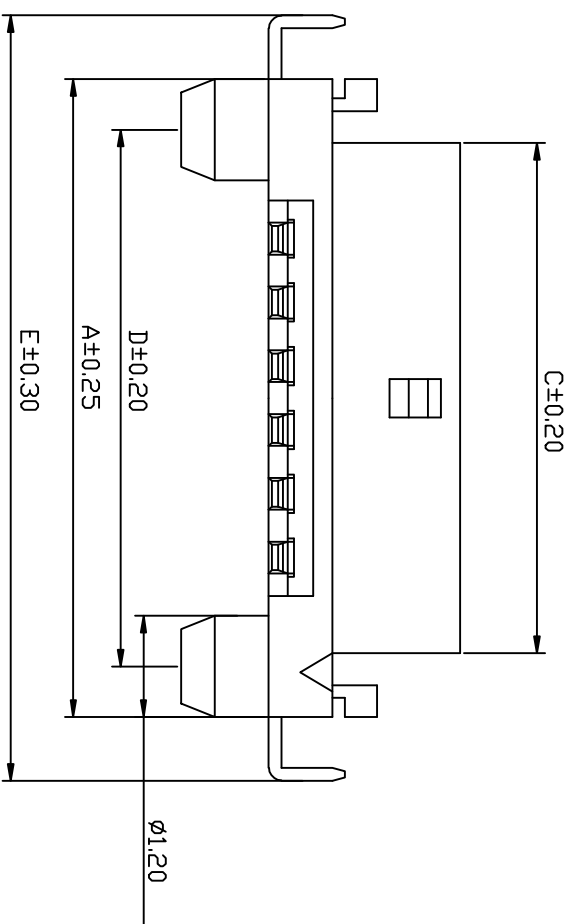
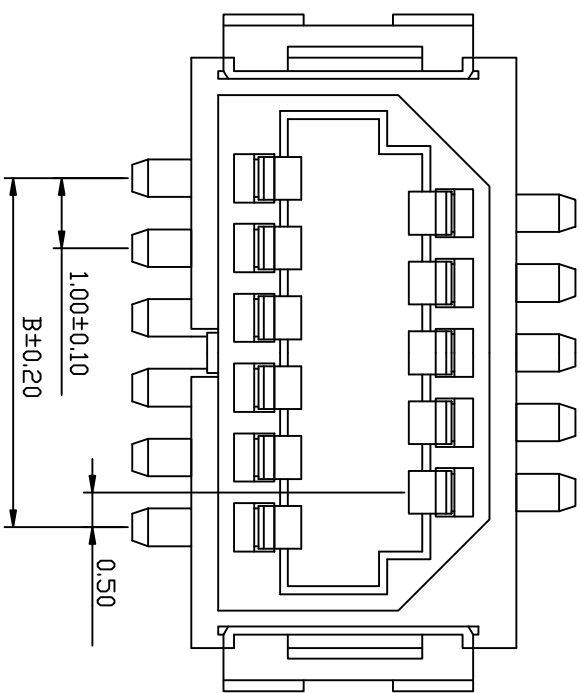
B

C

E

公差表

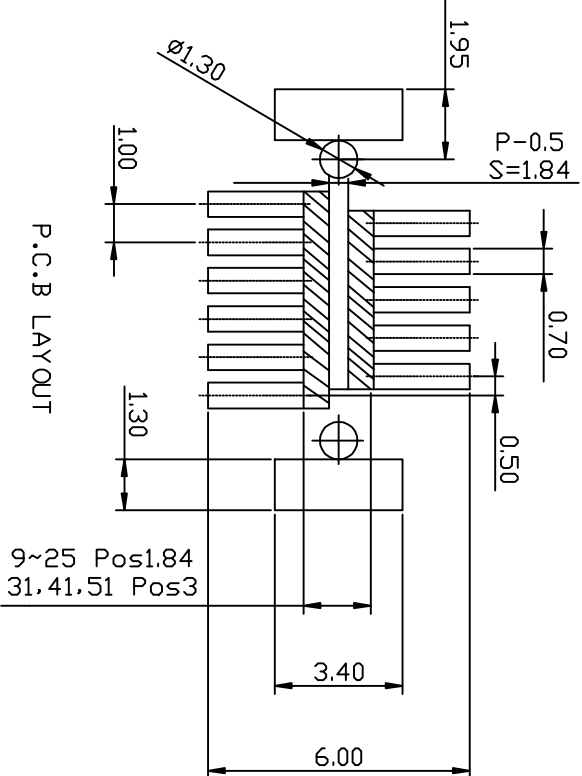
| REV | ECN NO | LOCATIONS | DESCRIPTION | DATE | CHANGER |
|-----|--------|-----------|-------------|------------|---------|
| A | | | 新版本 | 2016-04-06 | 李国常 |



| Part No | Dimensions (mm) | | | | |
|--------------|-----------------|-------|-------|-------|-------|
| | A | B | C | D | E |
| V1002SV-09-1 | 8.30 | 4.00 | 6.55 | 7.10 | 10.10 |
| V1002SV-11-1 | 9.30 | 5.00 | 7.55 | 8.10 | 11.10 |
| V1002SV-13-1 | 10.30 | 6.00 | 8.55 | 9.10 | 12.10 |
| V1002SV-15-1 | 11.30 | 7.00 | 9.55 | 10.10 | 13.10 |
| V1002SV-17-1 | 12.30 | 8.00 | 10.55 | 11.10 | 14.10 |
| V1002SV-19-1 | 13.30 | 9.00 | 11.55 | 12.10 | 15.10 |
| V1002SV-21-1 | 14.30 | 10.00 | 12.55 | 13.10 | 16.10 |
| V1002SV-23-1 | 15.30 | 11.00 | 13.55 | 14.10 | 17.10 |
| V1002SV-25-1 | 16.30 | 12.00 | 14.55 | 15.10 | 18.10 |
| V1002SV-31-1 | 19.30 | 15.00 | 17.55 | 18.10 | 21.10 |
| V1002SV-41-1 | 24.30 | 20.00 | 22.55 | 23.10 | 26.10 |
| V1002SV-51-1 | 29.30 | 25.00 | 27.55 | 28.10 | 31.10 |

- SPECIFICATIONS**
- Voltage rating: 150V AC, DC
 - Current rating: 0.5A, AC, DC
 - Withstanding Voltage: 500V AC/minute
 - Insulation resistance: 500MΩ min
 - Temperature range: -40℃~+85℃
 - Contact resistance: 20MΩ max

- WAFER**
- Part No: W1002SV-NP-1
 - Poles: 09-51
 - Material: Nylon 6T UL94V-0
 - Ter Material: Brass /Tin-plated



KLT 深圳市康利通电子科技有限公司

成品规格图

TOLERANCE

0±0.30

.0±0.25

.00±0.20

.000±0.015

VER No SIZE

A A4

| | | | | |
|------------|--------------|-------|--------|------|
| TITLE | DATE | SCALE | VER No | SIZE |
| CHECKED BY | 2016-04-06 | 1:1 | A | A4 |
| DRAWN BY | UNIT:mm | | | |
| 李国常 | | | | |
| PART NO | W1002SV-NP-1 | | | |

4

4

B

C

D

E

F

1

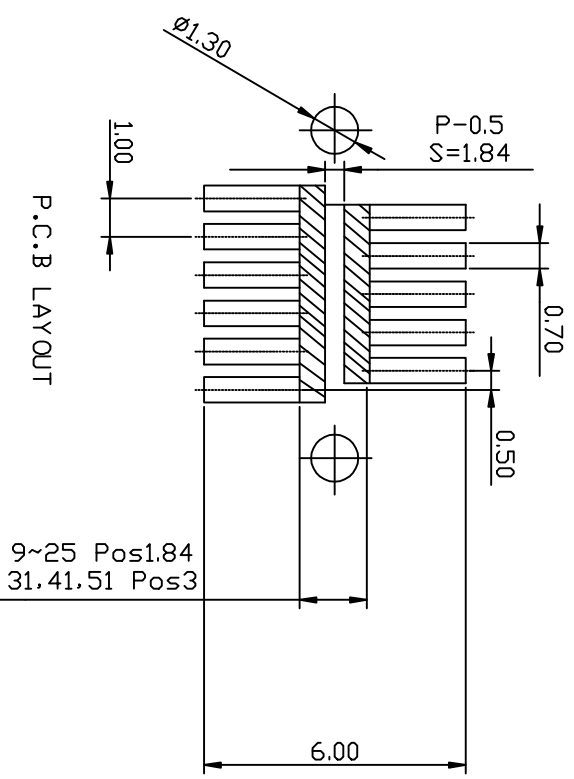
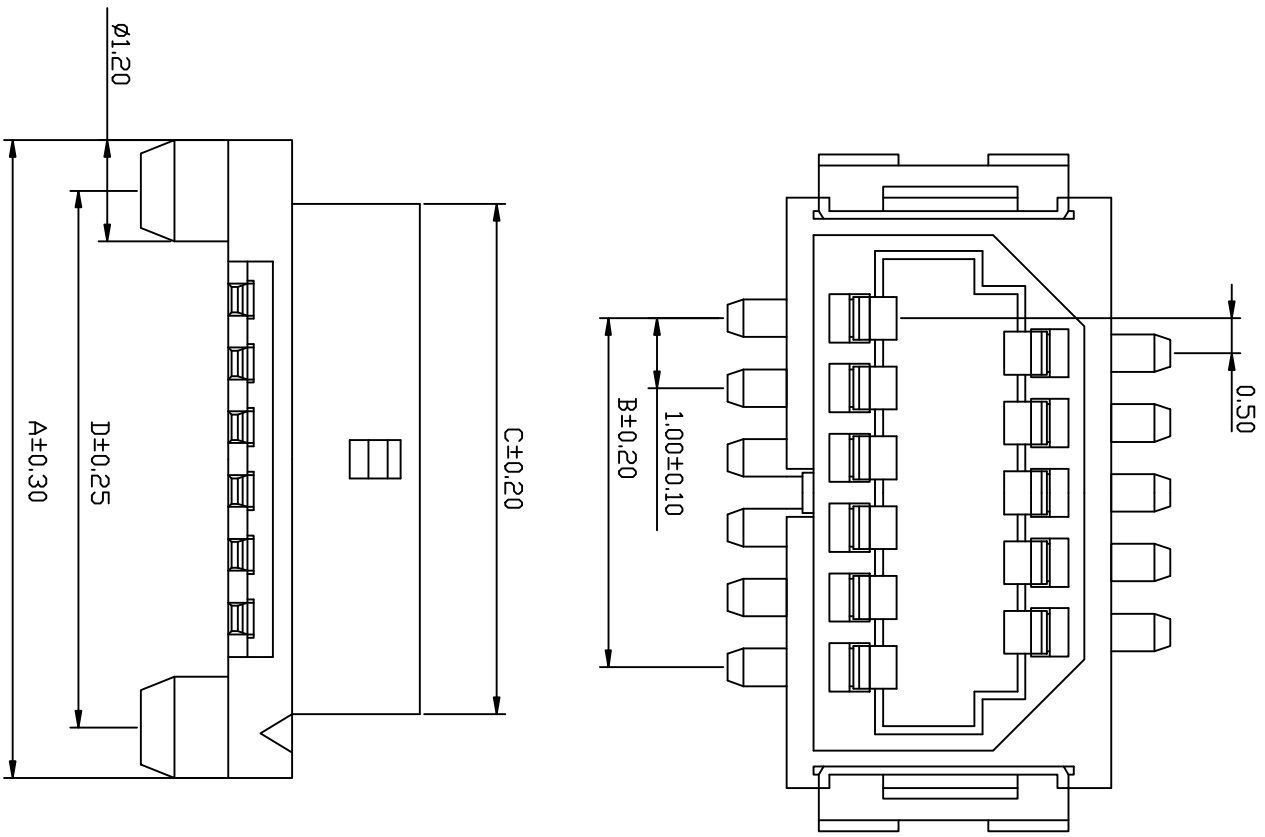
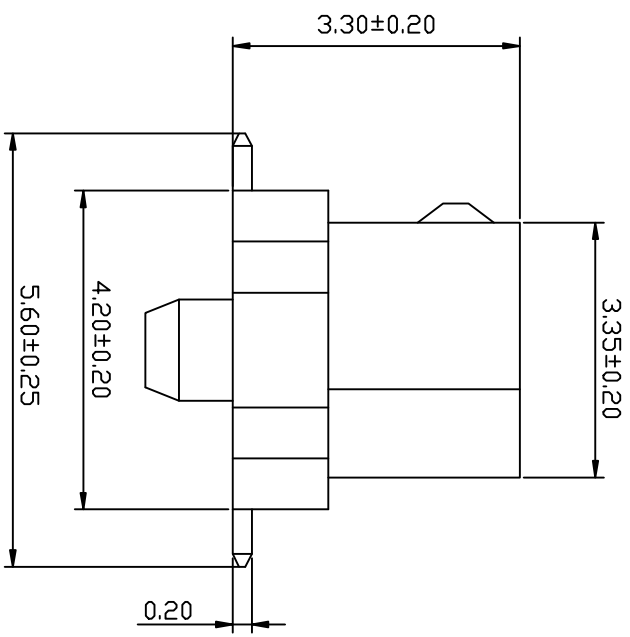
| REV | ECN NO | LOCATIONS | DESCRIPTION | DATE | CHANGER |
|-----|--------|-----------|-------------|------------|---------|
| A | | | 新版本 | 2016-04-06 | 李国常 |

公差表

- SPECIFICATIONS**
- Voltage rating: 150V AC, DC
 - Current rating: 0.5A, AC, DC
 - Withstanding Voltage: 500V AC/minute
 - Insulation resistance: 500MΩ min
 - Temperature range: -40℃~+85℃
 - Contact resistance: 20MΩ max

- WAFER**
- Part No: W1002SV-NP-2
 - Poles: 09-51
 - Material: Nylon 6T UL94V-0
 - Ter Material: Brass /Tin-plated

| Part No | Dimensions (mm) | | | |
|--------------|-----------------|-------|-------|-------|
| | A | B | C | D |
| W1002SV-09-2 | 8.30 | 4.00 | 6.55 | 7.10 |
| W1002SV-11-2 | 9.30 | 5.00 | 7.55 | 8.10 |
| W1002SV-13-2 | 10.30 | 6.00 | 8.55 | 9.10 |
| W1002SV-15-2 | 11.30 | 7.00 | 9.55 | 10.10 |
| W1002SV-17-2 | 12.30 | 8.00 | 10.55 | 11.10 |
| W1002SV-19-2 | 13.30 | 9.00 | 11.55 | 12.10 |
| W1002SV-21-2 | 14.30 | 10.00 | 12.55 | 13.10 |
| W1002SV-23-2 | 15.30 | 11.00 | 13.55 | 14.10 |
| W1002SV-25-2 | 16.30 | 12.00 | 14.55 | 15.10 |
| W1002SV-31-2 | 19.30 | 15.00 | 17.55 | 18.10 |
| W1002SV-41-2 | 24.30 | 20.00 | 22.55 | 23.10 |
| W1002SV-51-2 | 29.30 | 25.00 | 27.55 | 28.10 |



9~25 Pos1.84
31.41.51 Pos3

KLIT 深圳市康利通电子科技有限公司

成品规格图

TOCERANCE

| | | | |
|------------|--------------|------------|------|
| TITLE | 成品规格图 | TOLERANCE | |
| CHECKED BY | DATE | 0±0.30 | |
| 2016-04-06 | SCALE | .00±0.25 | |
| 1:1 | VER No | .000±0.015 | |
| DRAWN BY | UNIT:mm | VER No | SIZE |
| 李国常 | A | A | A4 |
| PART No | W1002SV-NP-2 | | |