

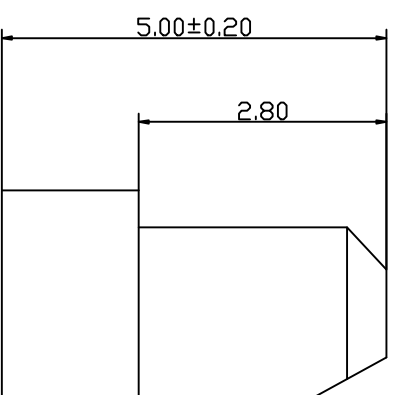
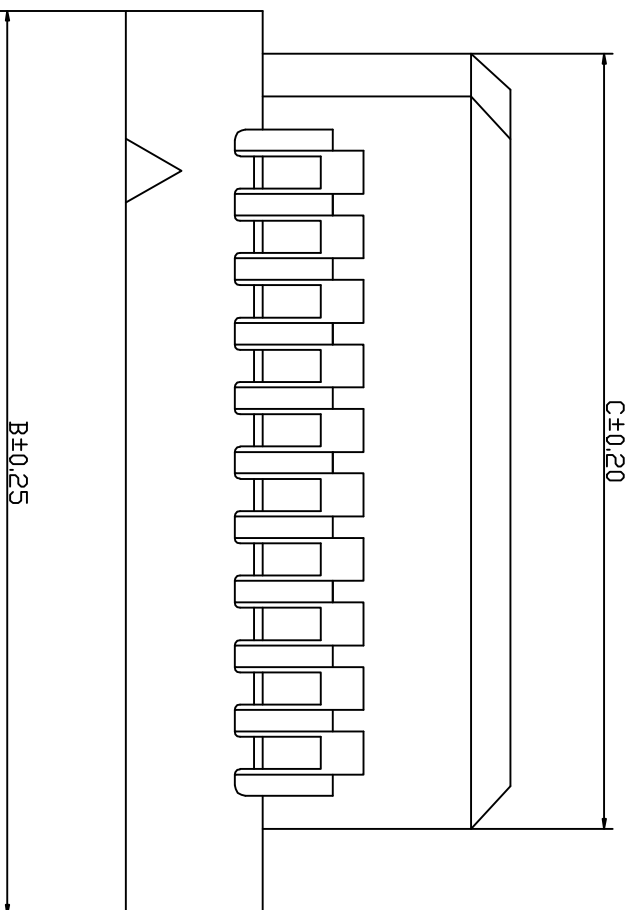
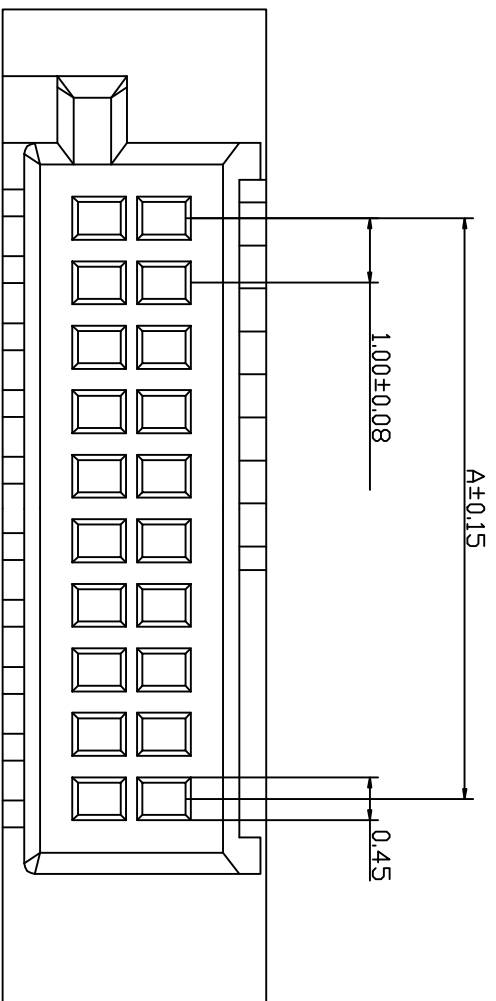
B

C

E

公差表

REV	ECN NO	LOCATIONS	DESCRIPON	DATE	CHANGER
A			新版本	2016-04-13	李国常



Part No	Dimensions (mm)		
	A	B	C
H1013-2*02	1.00	4.60	3.20
H1013-2*03	2.00	5.60	4.20
H1013-2*04	3.00	6.60	5.20
H1013-2*05	4.00	7.60	6.20
H1013-2*06	5.00	8.60	7.20
H1013-2*07	6.00	9.60	8.20
H1013-2*08	7.00	10.60	9.20
H1013-2*09	8.00	11.60	10.20
H1013-2*10	9.00	12.60	11.20
H1013-2*11	10.00	13.60	12.20
H1013-2*12	11.00	14.60	13.20
H1013-2*13	12.00	15.60	14.20
H1013-2*14	13.00	16.60	15.20
H1013-2*15	14.00	17.60	16.20
H1013-2*16	15.00	18.60	17.20
H1013-2*17	16.00	19.60	18.20
H1013-2*18	17.00	20.60	19.20
H1013-2*25	24.00	27.60	26.20

SPECIFICATIONS

- Voltage rating: 50V AC, DC
- Current rating: 1A, AC, DC
- Withstanding Voltage: 500V AC/minute
- Insulation resistance: 100MΩ min
- Temperature range: -40°C~+85°C
- Contact resistance: 20MΩ max

HOUSING

- Part No: H1013-2*NP
- Poles: 04-50
- Material: Nylon 46 UL94V-0

KLT 深圳市康利通电子科技有限公司

成品规格图

TOLERANCE

0±0.30

.0±0.25

.00±0.20

.000±0.015

TITLE	成品规格图		TOLERANCE	
CHECKED BY	DATE	SCALE	VER No	SIZE
DRAWN BY	UNIT:mm	1:1	A	A4
DRAWN BY	李国常			
PART No	H1013-2*NP			

4

4

B

C

D

E

F

1

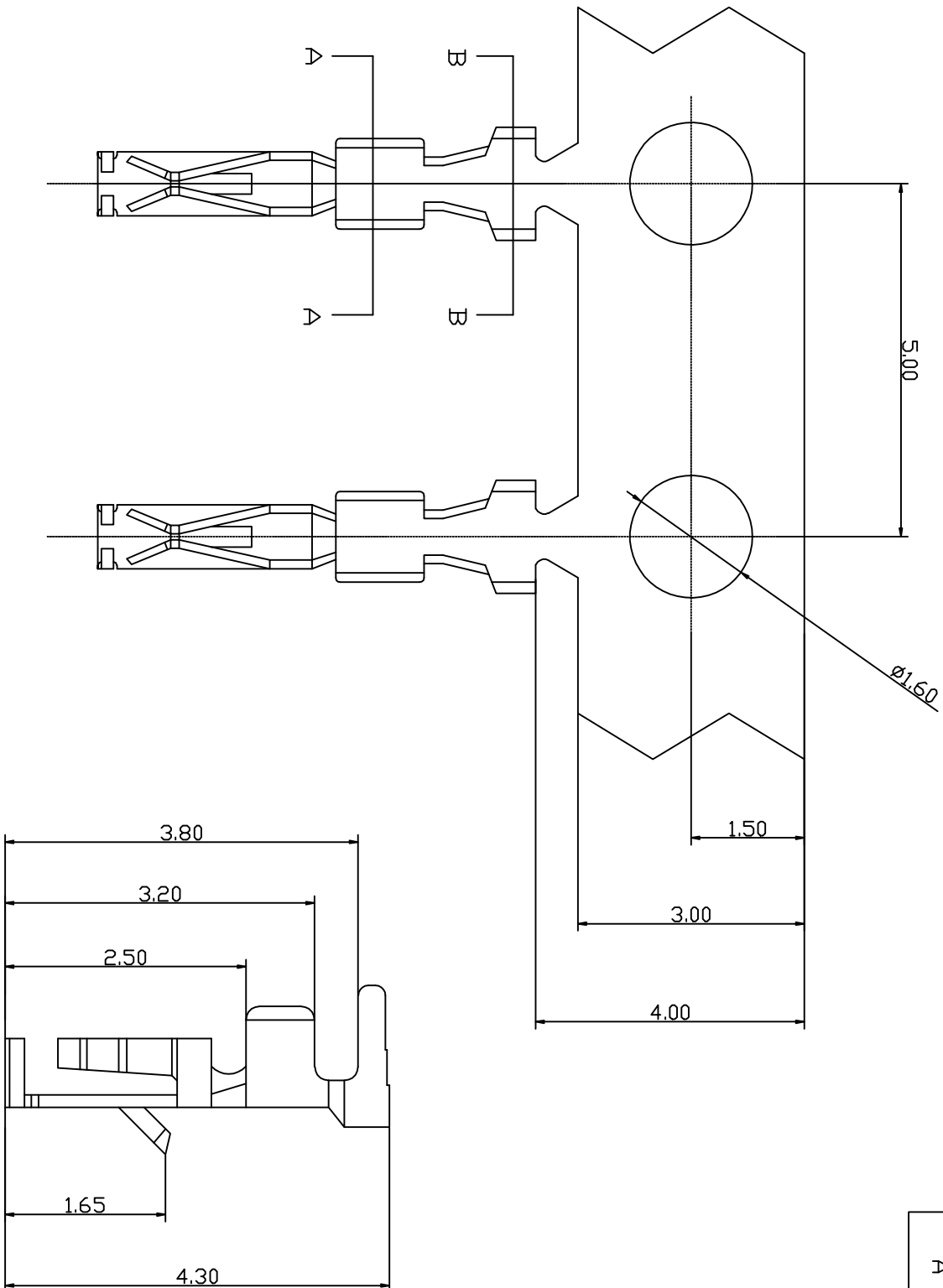
B

C

E

公差表

REV	ECN NO	LOCATIONS	DESCRIPTION	DATE	CHANGER
A			新版本	2016-04-13	李国常



SPECIFICATIONS

- Voltage rating: 50V AC,DC
- Current rating: 1A, AC, DC
- Withstanding Voltage: 500V AC/minute
- Insulation resistance: 100MΩ min
- Temperature range: -40℃~+85℃
- Contact resistance: 20MΩ max

TERMINAL

- Part No: T1013PT
- Applicable wire: AWG#28-#32
- Material: Phosphor Bronze
- Finish: Tin-Plated

SEC: A-A

SEC: B-B

KLT 深圳市康利通电子科技有限公司

成品规格图

TOLERANCE

0±0.30

.0±0.25

.00±0.20

.000±0.015

1

TITLE	成品规格图		TOLERANCE	
CHECKED BY	DATE	SCALE	VER No	SIZE
DRAWN BY	UNIT:mm	1:1	A	A4
李国常	2016-04-13			
PART No	T1013PT			

B

C

D

E

F

4

4

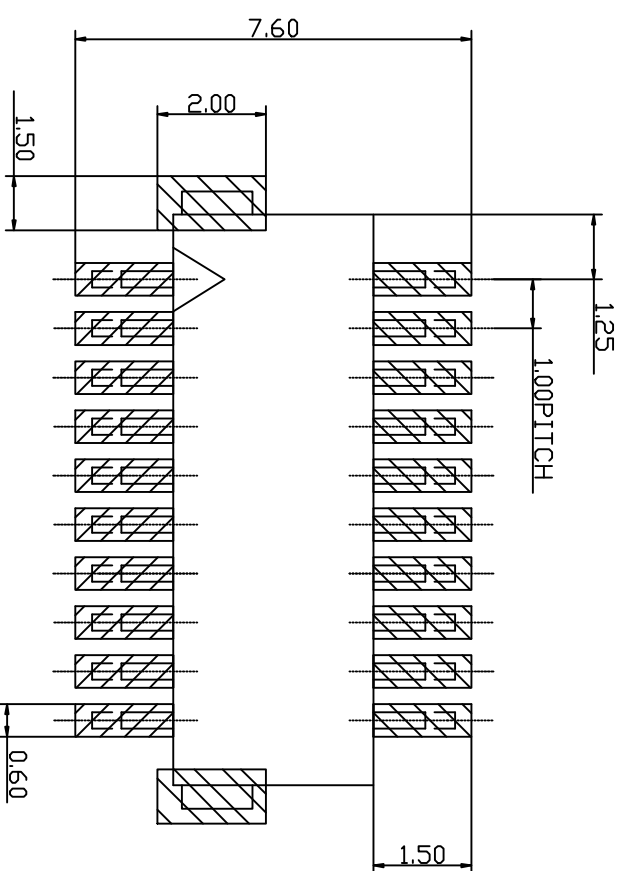
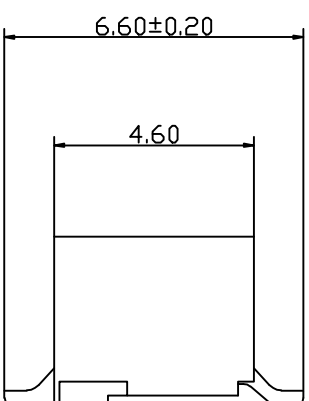
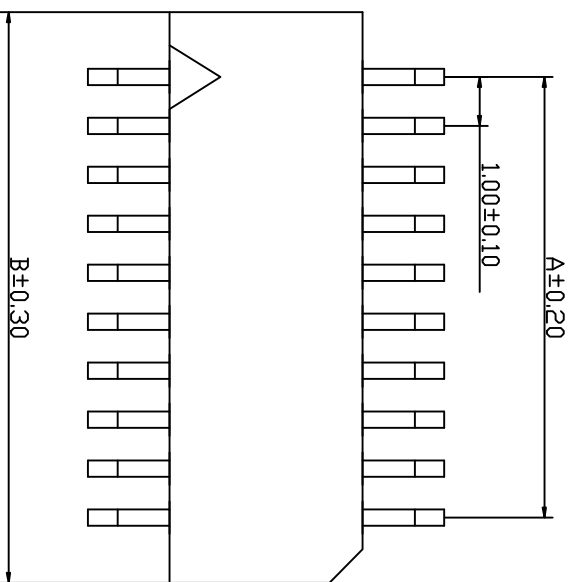
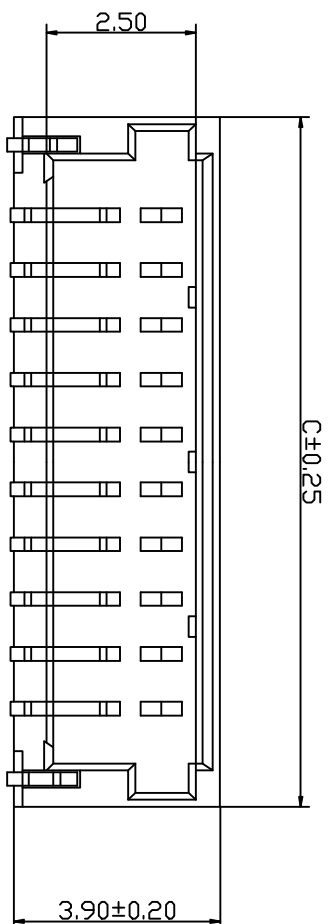
B

C

E

公差表

REV	ECN NO	LOCATIONS	DESCRIPTION	DATE	CHANGER
A			新版本	2016-04-13	李国常



P.C.B LAYOUT

SPECIFICATIONS

- Voltage rating: 50V AC,DC
- Current rating: 1A, AC, DC
- Withstanding Voltage: 500V AC/minute
- Insulation resistance: 100MΩ min
- Temperature range: -40℃~+85℃
- Contact resistance: 20MΩ max

WAFER

- Part No: W1013SV-2*NP
- Poles: 04-50
- Material: Nylon 46 UL94V-0
- Ter Material: Phosphor Bronze /Tin-plated

Part No	Dimensions (mm)		
	A	B	C
V1013-2*02	1.00	4.60	3.20
V1013-2*03	2.00	5.60	4.20
V1013-2*04	3.00	6.60	5.20
V1013-2*05	4.00	7.60	6.20
V1013-2*06	5.00	8.60	7.20
V1013-2*07	6.00	9.60	8.20
V1013-2*08	7.00	10.60	9.20
V1013-2*09	8.00	11.60	10.20
V1013-2*10	9.00	12.60	11.20
V1013-2*11	10.00	13.60	12.20
V1013-2*12	11.00	14.60	13.20
V1013-2*13	12.00	15.60	14.20
V1013-2*14	13.00	16.60	15.20
V1013-2*15	14.00	17.60	16.20
V1013-2*16	15.00	18.60	17.20
V1013-2*17	16.00	19.60	18.20
V1013-2*18	17.00	20.60	19.20
V1013-2*25	24.00	27.60	26.20

KLT 深圳市康利通电子科技有限公司

成品规格图

TOCERANCE

0±0.30

.0±0.25

.00±0.20

.000±0.015

TITLE	DATE	SCALE	VER No	SIZE
CHECKED BY	2016-04-13	1:1	A	A4

DRAWN BY	UNIT:mm	Part No	W1013SV-2*NP
李国常			

B

C

D

E

F

1

4