

B

C

E

公差表

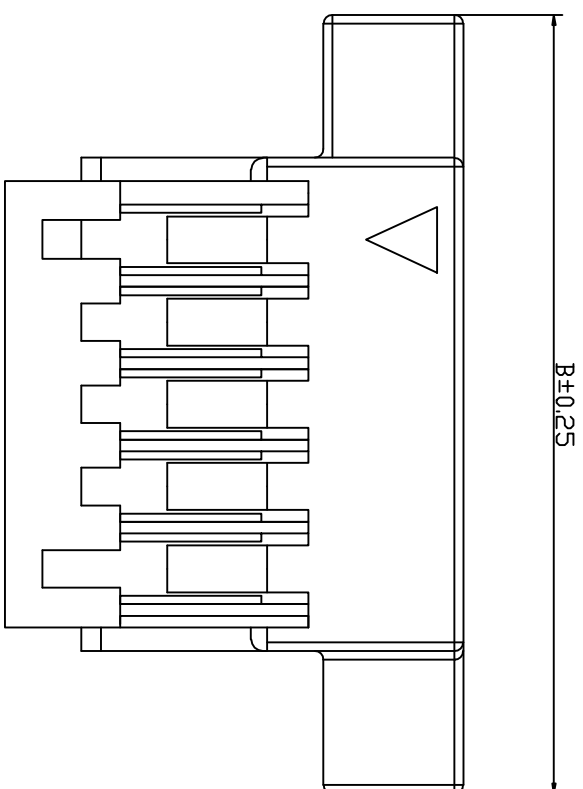
REV	ECN NO	LOCATIONS	DESCRIPTION	DATE	CHANGER
A			新版本	2016-04-14	李国常

■ SPECIFICATIONS

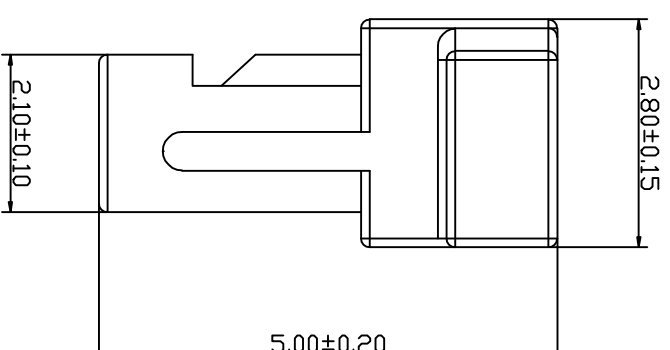
- Voltage rating: 50V AC, DC
- Current rating: 1A, AC, DC
- Withstanding Voltage: 500V AC/minute
- Insulation resistance: 100MΩ min
- Temperature range: -40℃~+85℃
- Contact resistance: 20MΩ max

■ HOUSING

- Part No: H1001-NP
- Poles: 02-24
- Material: Nylon 46 UL94V-0

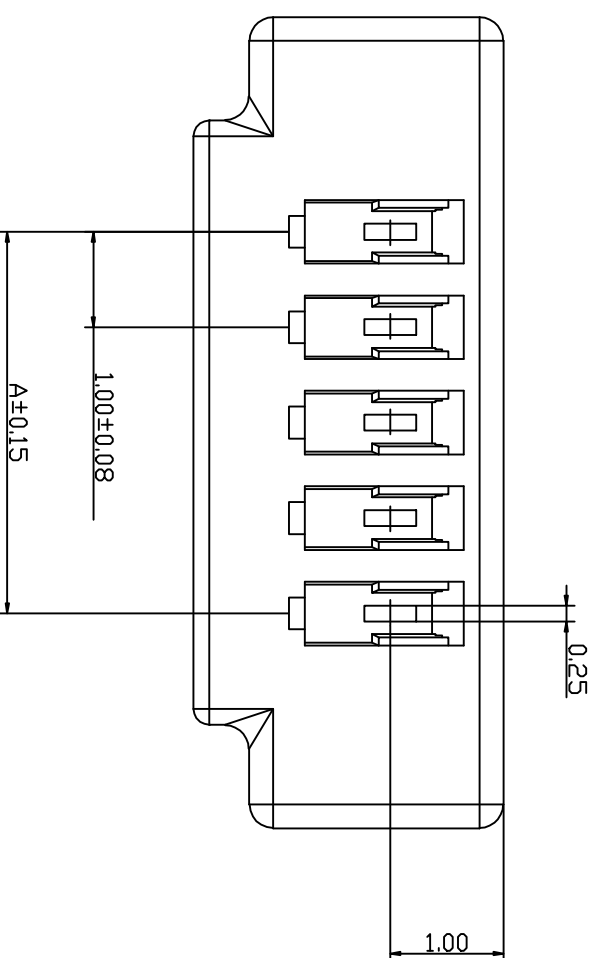


4



4

Part No	Dimensions (mm)	
	A	B
H1001-02	1.00	5.00
H1001-03	2.00	6.00
H1001-04	3.00	7.00
H1001-05	4.00	8.00
H1001-06	5.00	9.00
H1001-07	6.00	10.00
H1001-08	7.00	11.00
H1001-09	8.00	12.00
H1001-10	9.00	13.00
H1001-11	10.00	14.00
H1001-12	11.00	15.00
H1001-13	12.00	16.00
H1001-14	13.00	17.00
H1001-15	14.00	18.00
H1001-16	15.00	19.00
H1001-17	16.00	20.00
H1001-18	17.00	21.00
H1001-19	18.00	22.00
H1001-20	19.00	23.00
H1001-24	23.00	27.00



KLT 深圳市康利通电子科技有限公司

成品规格图

TOCERANCE

0±0.30

.0±0.25

.00±0.20

.000±0.015

1

TITLE	成品规格图		SCALE		VER No	SIZE
CHECKED BY	DATE	2016-04-14	SCALE	1:1	VER No	SIZE
DRAWN BY	UNIT:mm				A	A4
李国常	PART No				H1001-NP	

B

C

D

E

F

B

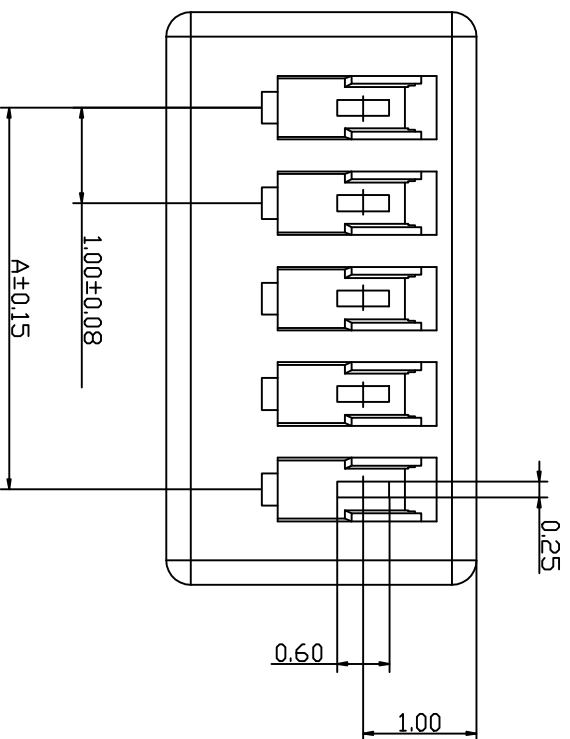
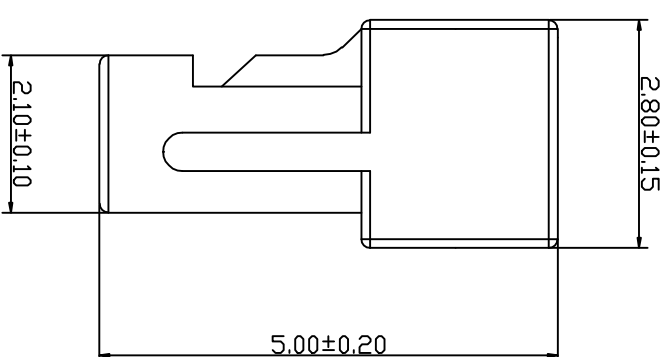
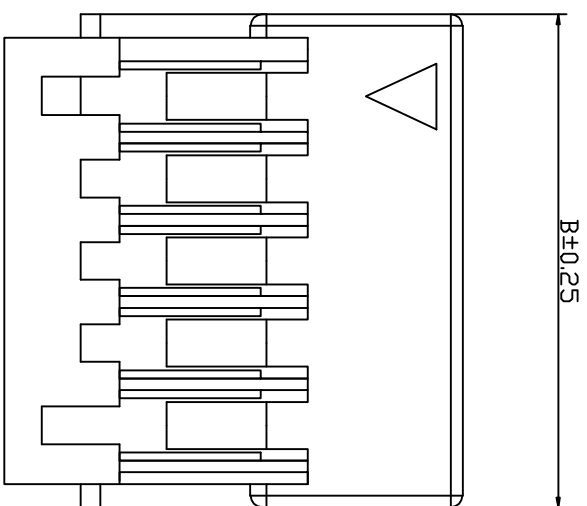
C

E

公差表

REV	ECN NO	LOCATIONS	DESCRIPTION	DATE	CHANGER
A			新版本	2016-04-14	李国常

4



■ SPECIFICATIONS

- Voltage rating: 50V AC,DC
- Current rating: 1A, AC, DC
- Withstanding Voltage: 500V AC/minute
- Insulation resistance: 100MΩ min
- Temperature range: -40℃~+85℃
- Contact resistance: 20MΩ max

■ HOUSING

- Part No: H1001-NP-1
- Poles: 02-24
- Material: Nylon 46 UL94V-0

Part No	Dimensions (mm)	
	A	B
H1001-02-1	1.00	3.00
H1001-03-1	2.00	4.00
H1001-04-1	3.00	5.00
H1001-05-1	4.00	6.00
H1001-06-1	5.00	7.00
H1001-07-1	6.00	8.00
H1001-08-1	7.00	9.00
H1001-09-1	8.00	10.00
H1001-10-1	9.00	11.00
H1001-11-1	10.00	12.00
H1001-12-1	11.00	13.00
H1001-13-1	12.00	14.00
H1001-14-1	13.00	15.00
H1001-15-1	14.00	16.00
H1001-16-1	15.00	17.00
H1001-17-1	16.00	18.00
H1001-18-1	17.00	19.00
H1001-19-1	18.00	20.00
H1001-20-1	19.00	21.00
H1001-24-1	23.00	25.00

KLT 深圳市康利通电子科技有限公司

TOLERANCE

0±0.30

.0±0.25

.00±0.20

.000±0.015

TITLE	成品规格图	
CHECKED BY	DATE	SCALE
DRAWN BY	UNIT:mm	VER No
PART No	H1001-NP-1	SIZE

2016-04-14

1:1

A A4

李国常

UNIT:mm



A A4

李国常

PART No

H1001-NP-1

B

C

D

E

F

1

4

B

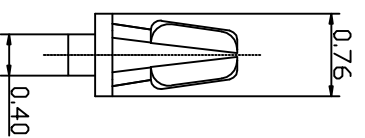
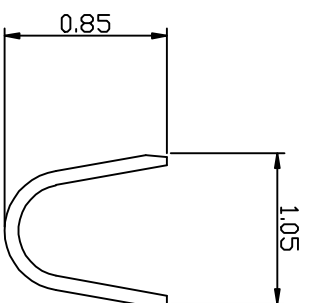
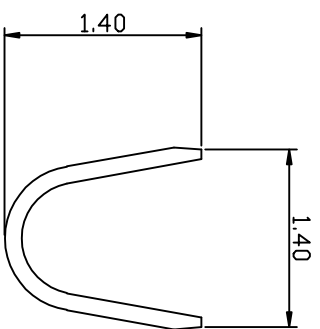
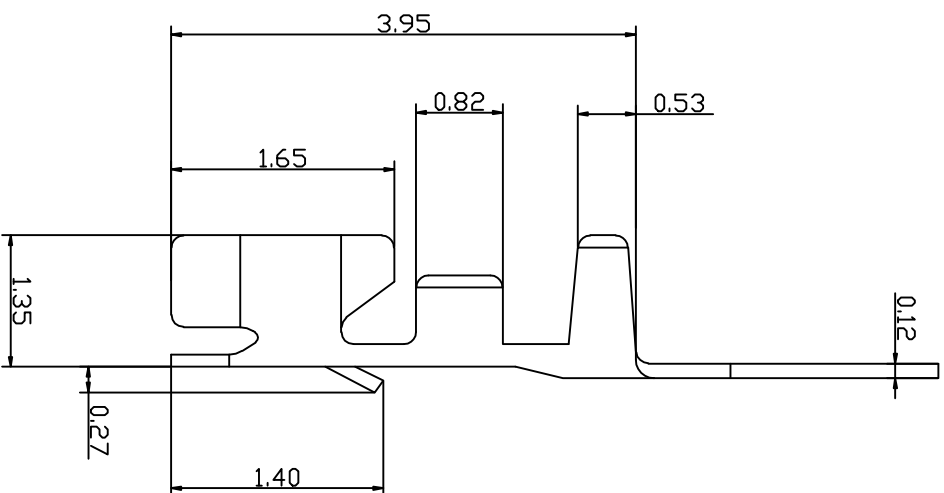
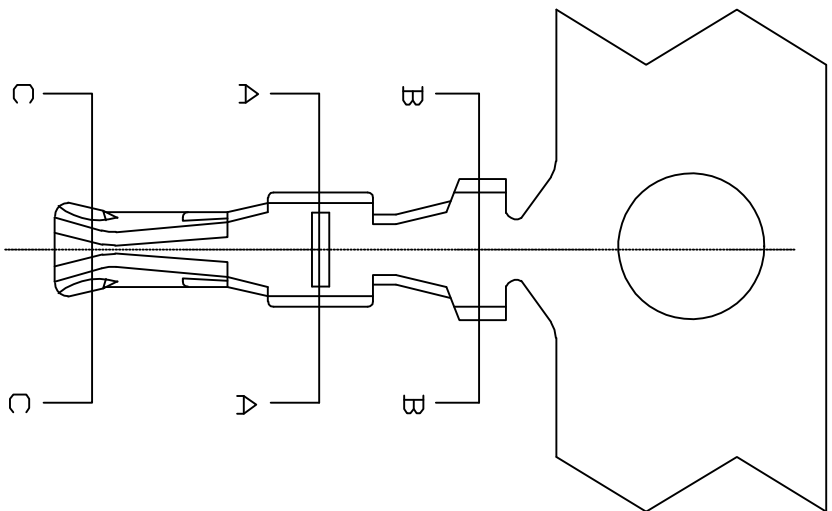
C

E

公差表

REV	ECN NO	LOCATIONS	DESCRIPTION	DATE	CHANGER
A			新版本	2016-04-14	李国常

4



SEC:A-A

SEC:B-B

SEC:C-C

KLT 深圳市康利通电子科技有限公司

成品规格图

Tolerance

0±0.30

.0±0.25

.00±0.20

.000±0.015

TITLE	DATE	SCALE	VER No	SIZE
CHECKED BY	2016-04-14	1:1		

DRAWN BY	UNIT:mm		A	A4
李国常	PART No	T11001PT		

B

C

D

E

F

4

1