

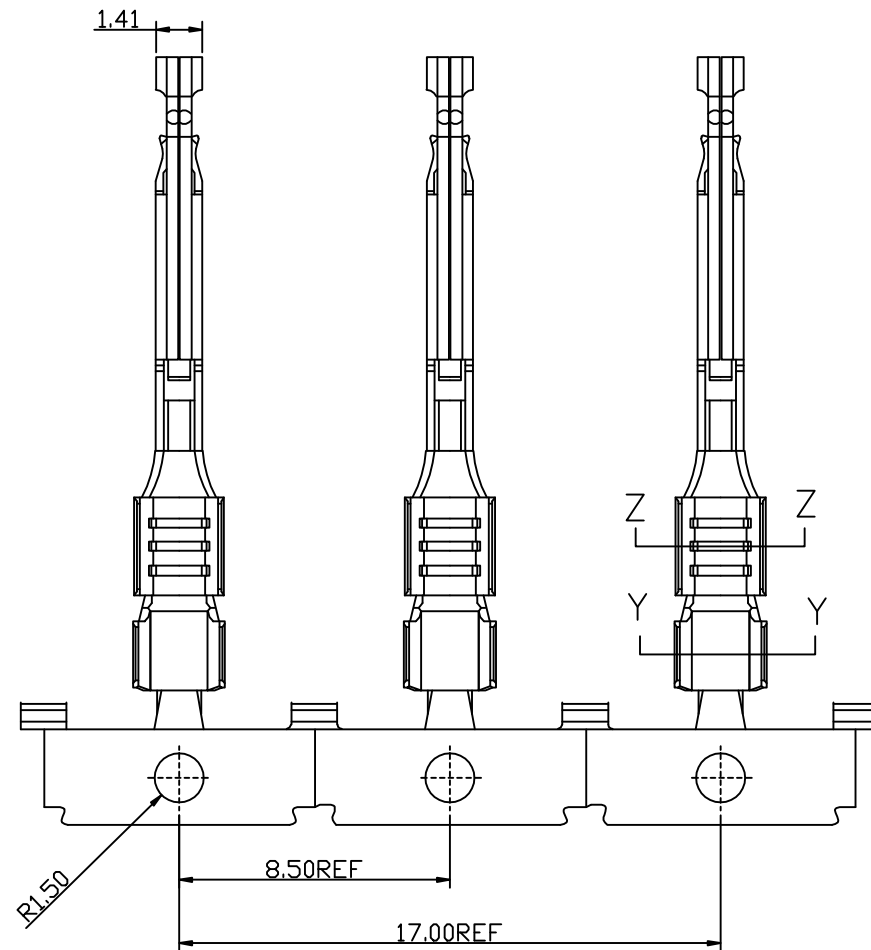
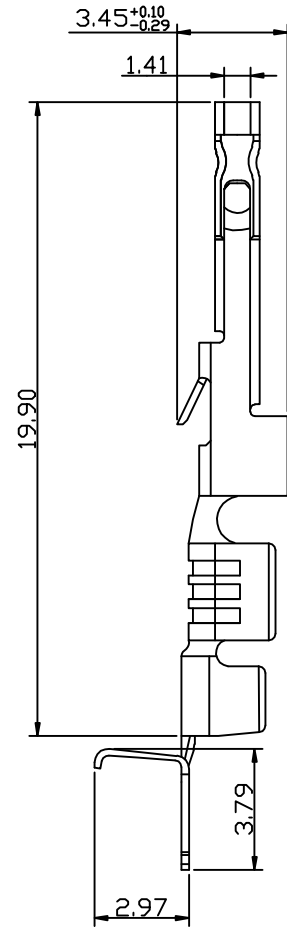
B

C

E

公差表

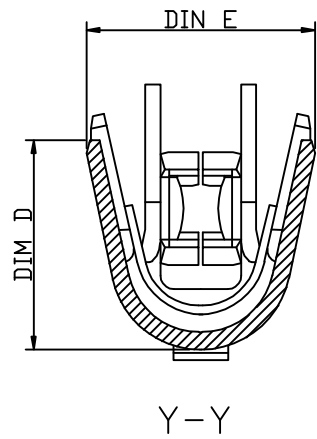
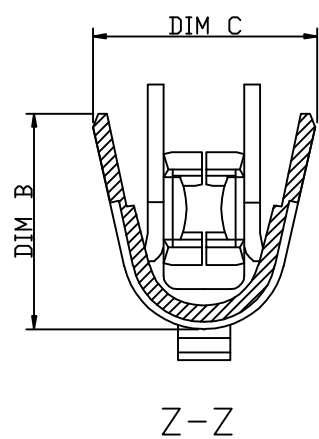
REV	ECN NO	LOCTIONS	DESCRIPTON	DATE	CHANGER
A			新版本	2017-12-13	李国常



SPECIFICATIONS:

1. Current Rating: 14A, AC/DC Max
2. Voltage Rating: 400V AC/DC
3. Contact Resistance: 10MΩ Max
4. Insulation Resistance: 1000MΩ min
5. Withstanding Voltage: 1800V AC/Minute
6. Temperature Range: -40℃~+105℃
7. Material: High Conductivity Copper Alloy
8. Mate with: T3501 Series Housing
9. Recommended Insulator:
  - 16AWG WIRE -OD 2.00mm Max
  - 18AWG WIRE -OD 1.70mm Max
  - 20AWG WIRE -OD 1.50mm Max
  - 22AWG WIRE -OD 1.20mm Max

P/M	T3501	T3501
	16-18 AWG	20-22 AWG
DIM B	2.71	2.16
DIM C	2.77	2.20
DIM D	2.63	2.08
DIM E	2.89	2.33



深圳市康利通电子科技有限公司			TOLERANCE	
TITLE			0±0.30	
成品规格图			.0±0.25	
CHECKED BY	DATE	SCALE	.00±0.20	
	2017-12-13	1:1	.000±0.015	
DRAWN BY	UNIT:mm		VER No	SIZE
李国常	PART No		A	A4
			T3501	

B

C

D

E

F